

WAGNER®

F230

Airless Sprayer

Owner's Manual • Betriebsanleitung • Manuel d'utilisateur
Manual de usuario • Manuale dell'utente • Gebruikshandleiding
Ejermanual • Användarmanual



English	p. 2	Italiano	p. 50
Deutsch	p. 14	Nederlands	p. 62
Français	p. 26	Dansk	p. 74
Español	p. 38	Svenska	p. 86

Table of Contents

Safety Precautions	2
General Description	3
Specifications	3
Preparing to Paint	4
Priming	4
Preparing to Prime	4
Mounting the Paint Hopper	5
Attaching the Suction Set	5
Priming the Pump	5
Pressure Relief Procedure	5
Spraying	6
Cleanup	7
Maintenance	8
Troubleshooting	10
Parts Listing	11
Main Assembly — Hopper Unit	11
Main Assembly — Suction Set Unit	11
Diaphragm Pump	12
Pump Head Assembly	13
Hopper Assembly	13

Safety Precautions

This manual contains information that must be read and understood before using the equipment. When you come to an area that has one of the following symbols, pay particular attention and make certain to heed the safeguard.



This symbol indicates a potential hazard that may cause serious injury or loss of life. Important safety information will follow.



This symbol indicates a potential hazard to you or to the equipment. Important information that tells how to prevent damage to the equipment or how to avoid causes of minor injuries will follow.

NOTE: Notes give important information which should be given special attention.



This unit is provided with a thermally protected automatic reset. If an overload occurs the thermally protected automatic reset disconnects the motor from the power supply.

- The motor will restart without warning when the protector automatically resets.
- Always disconnect the motor from the power supply before working on the equipment.
- When the thermally protected automatic reset disconnects the motor from the power supply, relieve pressure by turning the priming valve to PRIME.
- Turn the ON/OFF switch to OFF.



HAZARD: Injection injury - A high pressure stream produced by this equipment can pierce the skin and underlying tissues, leading to serious injury and possible amputation.



DO NOT TREAT AN INJECTION INJURY AS A SIMPLE CUT! Injection can lead to amputation. See a physician immediately.

The maximum operating range of the unit is 20.7 MPa (3000 PSI) fluid pressure.

PREVENTION:

- NEVER aim the gun at any part of the body.
- NEVER allow any part of the body to touch the fluid stream. DO NOT allow body to touch a leak in the fluid hose.
- NEVER put your hand in front of the gun. Gloves will not provide protection against an injection injury.
- ALWAYS lock the gun trigger, shut the fluid pump off and release all pressure before servicing, cleaning the tip guard, changing tips, or leaving unattended. Pressure will not be released by turning off the engine. The PRIME/SPRAY valve or pressure bleed valve must be turned to their appropriate positions to relieve system pressure. Refer to the PRESSURE RELIEF PROCEDURE described in this manual.
- ALWAYS keep tip guard in place while spraying. The tip guard provides some protection but is mainly a warning device.
- ALWAYS remove the spray tip before flushing or cleaning the system.
- The paint hose can develop leaks from wear, kinking and abuse. A leak can inject material into the skin. Inspect the hose before each use.
- NEVER use a spray gun without a working trigger lock and trigger guard in place.
- All accessories must be rated at or above the maximum operating pressure range of the sprayer. This includes spray tips, guns, extensions, and hose.

NOTE TO PHYSICIAN:

Injection into the skin is a traumatic injury. It is important to treat the injury as soon as possible. DO NOT delay treatment to research toxicity. Toxicity is a concern with some coatings injected directly into the blood stream. Consultation with a plastic surgeon or reconstructive hand surgeon may be advisable.

HAZARD: EXPLOSION OR FIRE - Solvent and paint fumes can explode or ignite. Severe injury and/or property damage can occur.

PREVENTION:

- Provide extensive exhaust and fresh air introduction to keep the air within the spray area free from accumulation of flammable vapors.
- Avoid all ignition sources such as static electricity sparks, electrical appliances, flames, pilot lights, hot objects, and sparks from connecting and disconnecting power cords or working light switches.
- Do not smoke in spray area.
- Fire extinguisher must be present and in good working order.
- Place sprayer at least 6.1 m (20 feet) from the spray object in a well ventilated area (add more hose if necessary). Flammable vapors are often heavier than air. Floor area must be extremely well ventilated. The pump contains arcing parts that emit sparks and can ignite vapors.
- The equipment and objects in and around the spray area must be properly grounded to prevent static sparks.
- Use only conductive or earthed high pressure fluid hose. Gun must be earthed through hose connections.
- Power cord must be connected to a grounded circuit (electric units only).
- Always flush unit into separate metal container, at low pump pressure, with spray tip removed. Hold gun firmly against side of container to ground container and prevent static sparks.
- Follow material and solvent manufacturer's warnings and instructions.
- The unit must be connected to an earthed object. Use the green earthing wire to connect the unit to a water pipe, steel beam, or other electrically earthed surface.

- Do not use materials with a flashpoint below 21° C (70° F). Flashpoint is the temperature at which a fluid can produce enough vapors to ignite.
- Plastic can cause static sparks. Never hang plastic to enclose spray area. Do not use plastic drop cloths when spraying flammable materials.
- Use lowest possible pressure to flush equipment.

GAS ENGINE (WHERE APPLICABLE)

Always place sprayer outside of structure in fresh air. Keep all solvents away from engine exhaust. Never fill fuel tank with a running or hot engine. Hot surface can ignite spilled fuel. Always attach ground wire from pump to a grounded object. Refer to engine owner’s manual for complete safety information.

HAZARD: EXPLOSION HAZARD DUE TO INCOMPATIBLE MATERIALS - Will cause severe injury or property damage.

PREVENTION:

- Do not use materials containing bleach or chlorine.
- Do not use halogenated hydrocarbon solvents such as methylene chloride and 1,1,1 - trichloroethane. They are not compatible with aluminum and may cause an explosion. If you are unsure of a material’s compatibility with aluminum, contact your coating’s supplier.

HAZARD: HAZARDOUS VAPORS - Paints, solvents, insecticides, and other materials can be harmful if inhaled or come in contact with body. Vapors can cause severe nausea, fainting, or poisoning.

PREVENTION:

- Use a respirator or mask if vapors can be inhaled. Read all instructions supplied with the mask to be sure it will provide the necessary protection.
- Wear protective eyewear.
- Wear protective clothing as required by coating manufacturer.

HAZARD: GENERAL - This product can cause severe injury or property damage.

PREVENTION:

- Read all instructions and safety precautions before operating equipment.
- Follow all appropriate local, state, and national codes governing ventilation, fire prevention, and operation.
- Pulling the trigger causes a recoil force to the hand that is holding the spray gun. The recoil force of the spray gun is particularly powerful when the tip has been removed and a high pressure has been set on the airless pump. When cleaning without a spray tip, set the pressure control knob to the lowest pressure.
- Use only manufacturer authorized parts. User assumes all risks and liabilities when using parts that do not meet the minimum specifications and safety devices of the pump manufacturer.
- Before each use, check all hoses for cuts, leaks, abrasion or bulging of cover. Check for damage or movement of couplings. Immediately replace the hose if any of these conditions exist. Never repair a paint hose. Replace it with another earthed high-pressure hose.
- ALWAYS follow the material manufacturer’s instructions for safe handling of paint and solvents.
- Do not use this unit in workshops that are covered under the explosion prevention regulations.
- Clean up all material and solvent spills immediately.
- Always unplug cord from outlet before working on equipment (electric units only).
- Wear ear protection. This unit can produce noise levels above 85 dB(A).
- Never leave this equipment unattended. Keep away from children or anyone not familiar with the operation of airless equipment.
- Do not spray on windy days.

Earthing Instructions

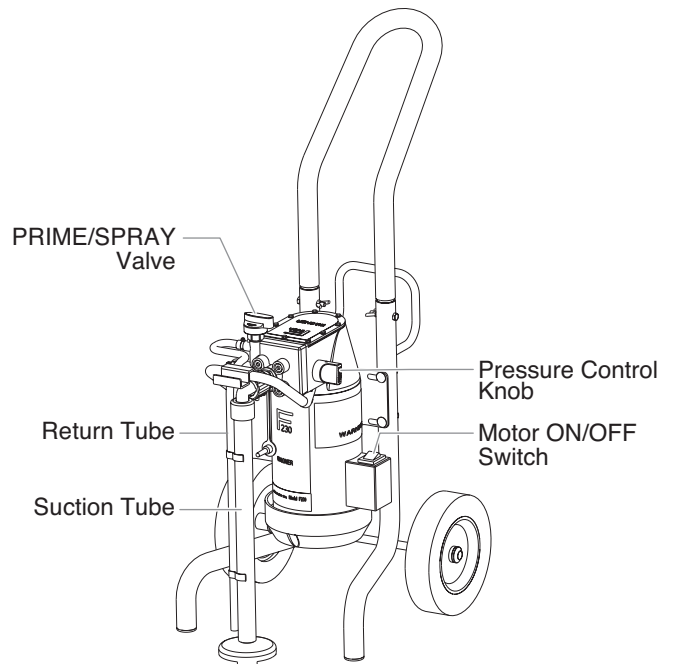
Electric models must be earthed. In the event of an electrical short circuit, earthing reduces the risk of electric shock by providing an escape wire for the electric current. This product is equipped with a cord having an earthing wire with an appropriate earthing plug. The plug must be plugged into an outlet that is properly installed and earthed in accordance with all local codes and ordinances.

DANGER — Improper installation of the earthing plug can result in a risk of electric shock. If repair or replacement of the cord or plug is necessary, do not connect the green earthing wire to either flat blade terminal. The wire with insulation having a green outer surface with or without yellow stripes is the earthing wire and must be connected to the earthing pin.

Check with a qualified electrician or serviceman if the earthing instructions are not completely understood, or if you are in doubt as to whether the product is properly earthed. Do not modify the plug provided. If the plug will not fit the outlet, have the proper outlet installed by a qualified electrician.

General Description

This high performance airless sprayer is a precision power tool used for spraying many types of materials. Read and follow this instruction manual carefully for proper operating instructions, maintenance and safety information.



Specifications

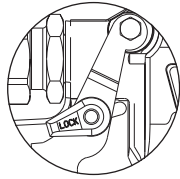
Weight:

Hopper unit	17 kg (37 lbs.)
Suction set unit	20 kg (44 lbs.)
Capacity	Up to 1.25 liters (.35 gallons) per minute
Power source	Electric motor, totally enclosed, fan cooled
Voltage	220–240 VAC, 50/60 Hz, 6.2 A or 100–120 VAC, 50/60 Hz, 11.0 A
Spraying pressure	Up to 20.7 MPa (3000 PSI)
Capabilities	Sprays a variety of oil-based and latex paints, primers, and stains

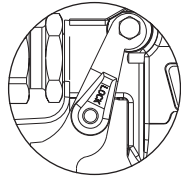
Preparing to Paint

Attaching the Tip to the Gun

1. Lock the trigger by rotating the trigger lock forward until it stops.



Trigger locked
(gun will not spray)



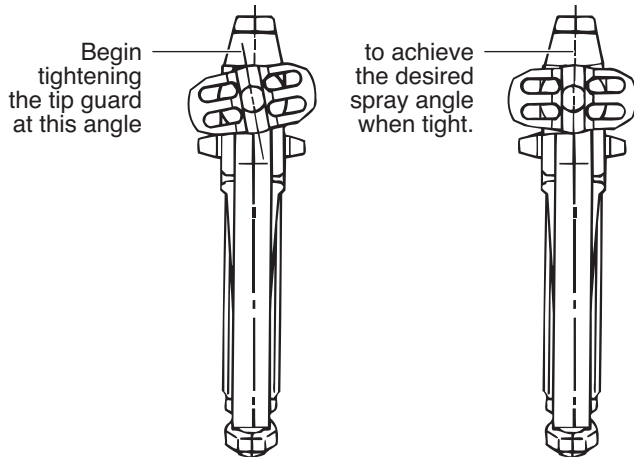
Trigger unlocked
(gun will spray)

⚠ WARNING

POSSIBLE INJECTION HAZARD. Do not spray without the tip guard in place. Never trigger the gun unless the tip is in either the spray or the unclog position. Always engage the gun trigger lock before removing, replacing or cleaning tip.

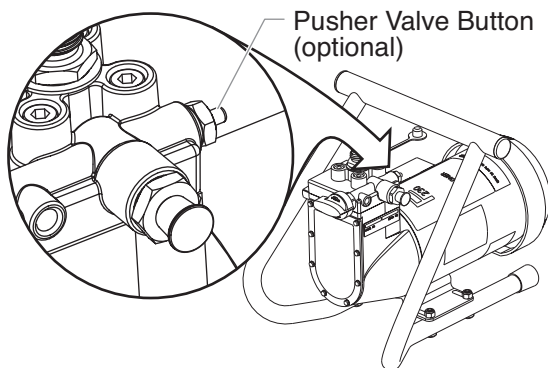
2. Thread the tip guard onto the gun. Tighten the nut first by hand, then tighten more firmly with a wrench.

NOTE: When attaching the tip guard to the gun, align the tip guard as shown in the figure below, then tighten with a wrench.



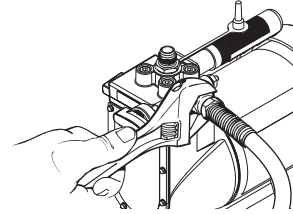
Checking the Outlet Valve (optional)

1. Firmly press the optional pusher valve button on the side of the pump housing to make sure the outlet ball valve moves freely.

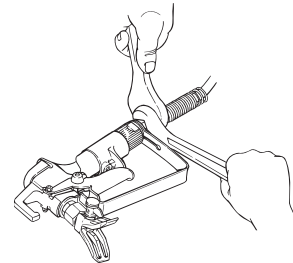


Attaching the Paint Hose

1. Attach the high pressure hose to the paint sprayer. Use a wrench to tighten the paint hose securely.



2. Attach the spray gun to the other end of the high pressure hose. Tighten the hose securely to the gun using two wrenches.

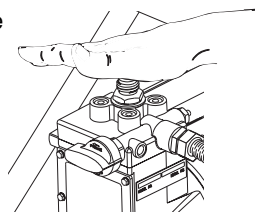
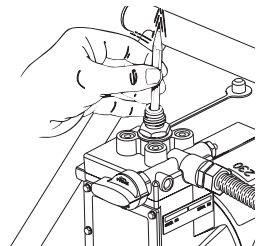
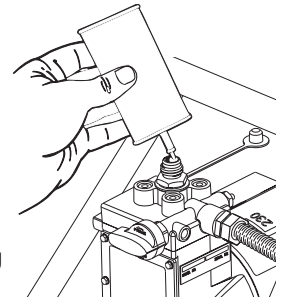


3. Plug the sprayer into a properly grounded outlet or heavy duty grounded extension cord. Do not use more than 100 feet of cord. If you must spray a long distance from a power source, use more paint hose, not more extension cords. Use a minimum size of 16 gauge extension cord for up to 50 feet in length, or 12 to 14 gauge for extension cords between 50 and 100 feet in length.

Priming

Preparing to Prime

1. Fill the inlet valve with water or with a light household oil.
2. Make sure the PRIME/SPRAY valve is set to PRIME and that the pressure control knob is turned counterclockwise to the lowest pressure setting.
3. Move the motor ON/OFF switch to ON.
4. Increase the pressure by turning the pressure control knob clockwise 1/2 turn.
5. Force the inlet valve to open and close by pushing on it with a screwdriver or the eraser end of a pencil. It should move up and down about 1/16 of an inch. Continue until water or oil is sucked into the sprayer. This will wet the moving parts and break loose any old paint residue.
6. Put the palm of your hand over the inlet. Turn the pressure control knob clockwise to its maximum setting. You should feel suction coming from the inlet valve. If you do not, see the section on cleaning and servicing the outlet valve.
7. Turn the pressure control knob counterclockwise to the minimum pressure setting.
8. Move the motor ON/OFF switch to OFF.



Mounting the Paint Hopper

Use the following procedure to mount the paint hopper and attach the return tube on a hopper unit.

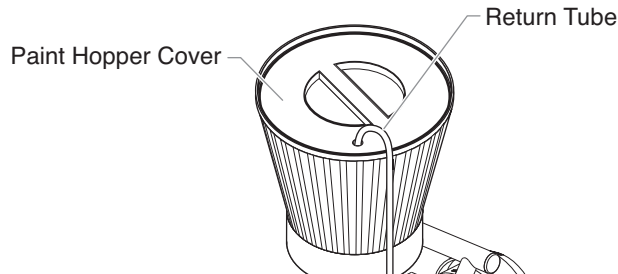
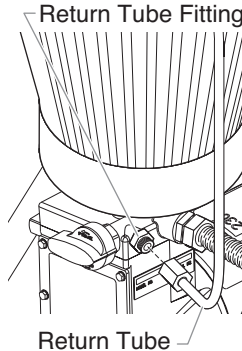
1. Align the bottom of the paint hopper with the threaded inlet valve on the paint pump block.
2. Turn the paint hopper clockwise to thread it onto the inlet valve. Continue to turn the paint hopper until it is secure on the inlet valve.

NOTE: Make sure the threads are straight and the hopper turns freely on the inlet valve. Do not cross-thread.

3. Place the filter screen into the bottom of the paint hopper and snap it in position.
4. Make sure that the motor ON/OFF switch is turned to OFF.
5. Screw the return tube fitting found in the literature set into the return tube port on the side of the pump.

NOTE: Do not over-tighten. Hand-tighten only. Some threads will be visible even when fully tightened.

6. Place the straight end of the return tube into the return tube fitting.
7. Thread the nut on the return tube onto the return tube fitting and tighten until the return tube is secure.
8. Place the hook end of the return tube into the hole in the paint hopper cover.



Attaching the Suction Set

Use the following procedure to attach the suction set to a suction set unit.

1. Align the nut on the suction set with the threaded inlet valve on the paint pump block.
2. Turn the nut clockwise to thread it onto the inlet valve. Continue to turn the nut until it is secure on the inlet valve.

NOTE: Make sure the threads are straight and the nut turns freely on the inlet valve. Do not cross-thread.

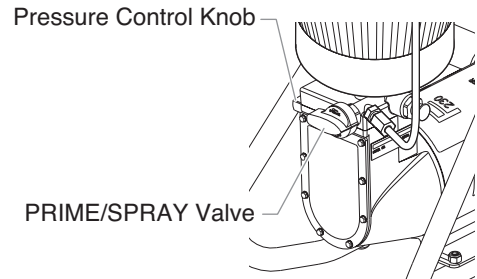
3. Screw the return tube fitting found in the literature set into the return tube port on the side of the pump.

NOTE: Do not over-tighten. Hand-tighten only. Some threads will be visible even when fully tightened.

4. Place the straight end of the return tube into the return tube fitting.
5. Slide the return tube clamp onto the return tube fitting and tighten until the return tube is secure.

Priming the Pump

1. Turn the pressure control knob counterclockwise to its lowest pressure setting.



2. Remove the paint hopper cover and fill the paint hopper with material or place the suction set into a bucket of material.
3. Turn the PRIME/SPRAY valve to PRIME.
4. Move the motor ON/OFF switch to ON.
5. Turn the pressure control knob clockwise to between half and full pressure. Let the unit prime 1 to 2 minutes after material begins to flow through the return tube.

CAUTION

Always reduce the pressure to zero before changing the position of the PRIME/SPRAY valve. Failure to do so may cause damage to the paint pump diaphragm.

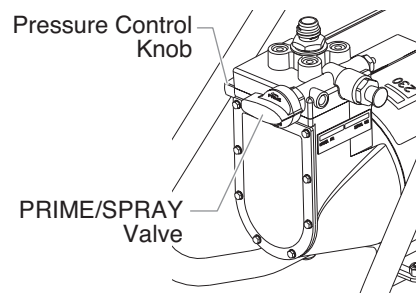
CAUTION

If the pressure control knob is reduced to zero and the PRIME/SPRAY valve is still on SPRAY while the sprayer is operating, there will be high pressure in the hose and spray gun until the PRIME/SPRAY valve is turned to PRIME or until the spray gun is triggered to relieve the pressure.

Pressure Relief Procedure

Follow this procedure after the unit is assembled and before any operation which involves the spray gun such as cleaning and maintenance or changing tips or accessories.

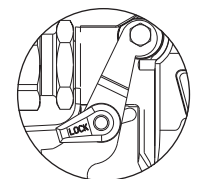
1. Turn the pressure control knob counterclockwise to its lowest setting.



2. Turn the PRIME/SPRAY valve to PRIME.
3. Trigger the gun to remove any pressure that may still be in the hose.
4. Lock the trigger by rotating the trigger lock forward until it stops.

WARNING

Injection hazard. Do not spray without the tip guard in place. NEVER trigger the gun unless the tip is completely turned to either the spray or the unclog position. ALWAYS engage the gun trigger lock before removing, replacing or cleaning tip.

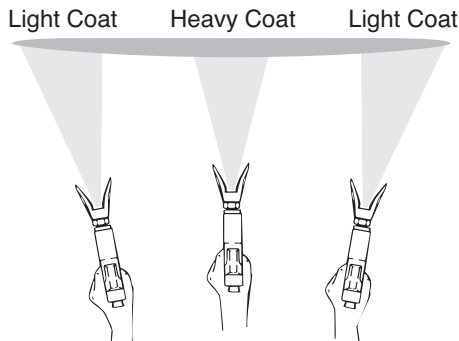


Trigger locked (gun will not spray)

Spraying

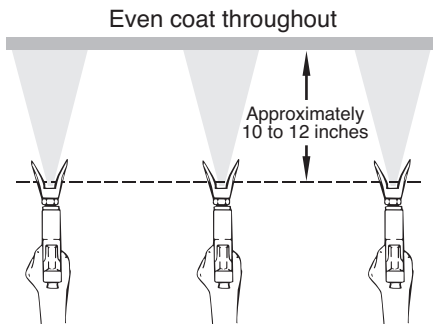
Spraying Technique

The key to a good paint job is an even coating over the entire surface. This is done by using even strokes. Keep your arm moving at a constant speed and keep the spray gun at a constant distance from the surface. The best spraying distance is 10 to 12 inches between the spray tip and the surface.



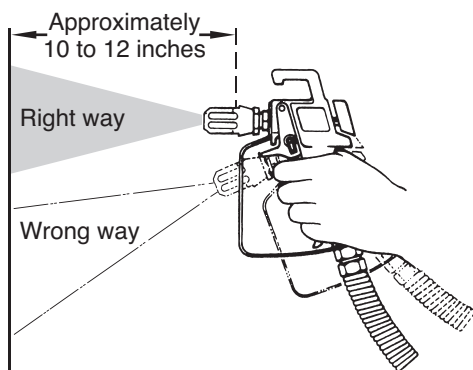
Do not flex wrist while spraying.

Keep the spray gun at right angles to the surface. This means moving your entire arm back and forth rather than just flexing your wrist.

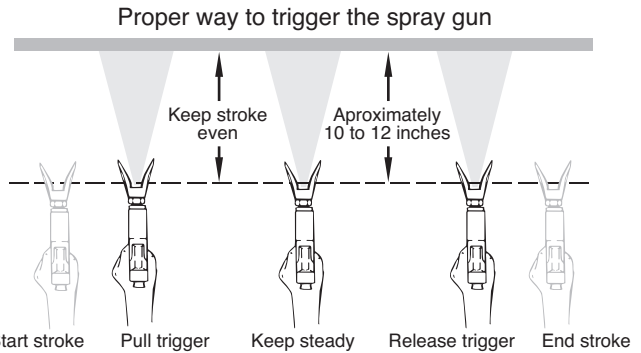


Keep stroke smooth and at an even speed.

Keep the spray gun perpendicular to the surface, otherwise one end of the pattern will be thicker than the other.



The spray gun should be triggered by turning it on and off with each stroke. This will save material and avoid material buildup at the end of the stroke. Do not trigger the gun during the middle of a stroke. This will result in an uneven spray and splotchy coverage.



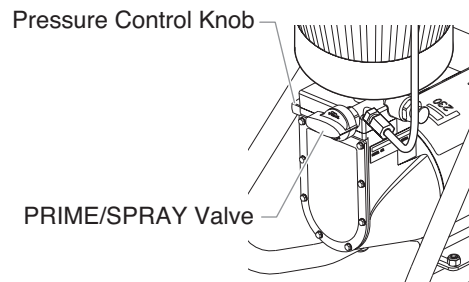
Overlap each stroke by about 30%. This will ensure an even coating.

When you stop painting, lock the gun trigger lock, turn the pressure control knob counterclockwise to its lowest setting and set the PRIME/SPRAY valve to PRIME. Move the motor ON/OFF switch to OFF and unplug the sprayer.

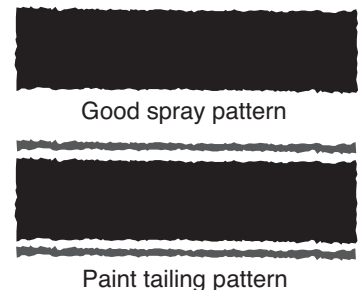
If you expect to be gone more than 1 hour, follow the short term clean up procedure described in the CLEANUP section of this manual.

Practice

1. Be sure that the paint hose is free of kinks and clear of objects with sharp cutting edges.
2. Turn the pressure control knob counterclockwise to its lowest setting.



3. Turn the PRIME/SPRAY valve to SPRAY.
4. Turn the pressure control knob clockwise to its highest setting. The paint hose should stiffen as material begins to flow through it.
5. Unlock the gun trigger lock by turning the switch so that it is parallel to the handle.
6. Trigger the spray gun to bleed air out of the hose.
7. When material reaches the spray tip, spray a test area to check the spray pattern.
8. Use the lowest pressure setting necessary to get a good spray pattern. If the pressure is set too high, the spray pattern will be too light. If the pressure is set too low, tailing will appear or the paint will spatter out in blobs rather than in a fine spray.

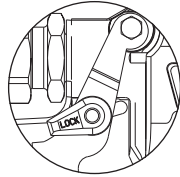


Cleanup

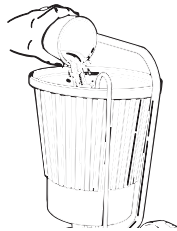
Overnight Storage

Shutdown

1. Turn the pressure control knob counterclockwise to the minimum setting.
2. Turn the PRIME/SPRAY valve to PRIME to release system pressure.
3. Trigger the gun to remove any pressure that may still be in the hose.
4. Lock the trigger by rotating the trigger lock forward until it stops.
5. Move the motor ON/OFF switch to OFF and unplug the sprayer.
6. For latex materials only, pour 1/2 cup water slowly on the top of the paint to prevent the paint from drying. For other materials, seal the material container or paint hopper (with the hopper cover) keeping the return tube in the material.



Trigger locked
(gun will not spray)



7. Wrap the spray gun assembly in a damp cloth and place it in a plastic bag. Seal the bag shut.



8. Place the sprayer in a safe place out of the sun for short-term storage.

Startup

1. Remove the gun from the plastic bag.
2. Stir the water into the paint for latex materials. Remove the cover from the paint hopper or material container and stir the paint for all other materials.



3. Check to be sure that the PRIME/SPRAY valve is set to PRIME and that the pressure is completely reduced.
4. Plug sprayer in and Move the motor ON/OFF switch to ON.
5. After the sprayer is primed, turn the PRIME/SPRAY valve to SPRAY and gradually turn the pressure control knob clockwise to increase the pressure.
6. Test the sprayer on a practice piece and begin spraying.

Long-Term Storage

⚠ WARNING

Do not allow material to build up on the motor or the motor will overheat. Do not allow flammable solvents to come in contact with the motor or they could ignite.

NOTE: You will need a bucket, cleaning solution, a toothbrush, a wrench and cleaning rags.

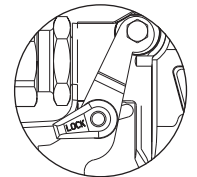
⚠ CAUTION

Do not use mineral spirits or paint thinner on latex paint, or the mixture will turn into a jelly-like substance which is difficult to remove.

Clearing the Paint Hopper

Use the following procedure to clear the material out of the paint hopper of a hopper unit.

1. Lock the gun trigger by rotating the trigger lock forward until it stops.
2. Turn the pressure control knob counterclockwise to the minimum setting.
3. Turn the PRIME/SPRAY valve to PRIME.
4. Move the motor ON/OFF switch to OFF.
5. Direct the return tube into the original material container.
6. Move the motor ON/OFF switch to ON.
7. Turn the pressure control knob to 1/2 maximum pressure. This will draw the remaining material in the paint hopper through the pump, up the return tube, and into the material container.
8. Turn the pressure control knob counterclockwise to the minimum pressure setting.
9. Trigger the gun to relieve pressure and lock the gun.
10. Remove the spray tip and guard and place them into a container of water or appropriate solvent for the type of material with which you are painting.
11. Fill the paint hopper with water or an appropriate solvent for the type of material with which you are painting.
12. Direct the return tube into a waste bucket.
13. Increase the pressure to 1/2 the maximum pressure. Let the water or solvent circulate for 2-3 minutes to flush material out of the pump, the paint hopper, and the return tube.

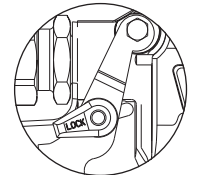


Trigger locked
(gun will not spray)

Clearing the Suction Set

Use the following procedure to clear the material out of the suction tube of a suction set unit.

1. Turn the pressure control knob counterclockwise to the minimum setting.
2. Turn the PRIME/SPRAY valve to PRIME.
3. Move the motor ON/OFF switch to OFF.
4. Wait a couple seconds, then trigger the gun into the material container to release built up fluid pressure from the pump.
5. Lock the gun trigger by rotating the trigger lock forward until it stops.
6. Remove the suction hose from the material and hold it above a bucket of water or solvent. Leave the return hose in the material container.
7. Move the motor ON/OFF switch to ON.
8. Turn the pressure control knob to 1/2 maximum pressure. This will draw the remaining material in the suction tube through the pump, down the return hose and into the material container.

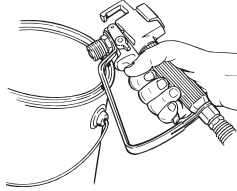


Trigger locked
(gun will not spray)

9. Turn the pressure control knob counterclockwise to the minimum setting.
10. Place the attached suction tube and return hose into the container of water or appropriate solvent.
11. Remove the spray tip and guard and place them into a container of the appropriate solvent.
12. Increase the pressure to 1/2 the maximum pressure. Let the water or solvent circulate for 2-3 minutes to flush paint out of the pump, the suction tube and the return hose.

Clearing the Paint Hose

1. To save material left in the hose, release the gun trigger lock and carefully trigger the gun with the spray tip removed against the inside of the material container.



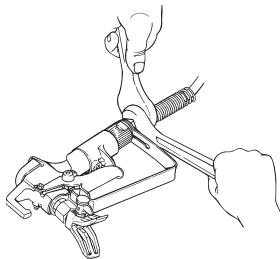
2. Turn the pressure control knob counterclockwise to the minimum pressure setting.
3. Turn the PRIME/SPRAY valve to SPRAY.
4. Turn the pressure control knob slowly until material starts to flow into the bucket. As soon as the water or solvent starts to come into the bucket, release the trigger.
5. Change to clean water or solvent, point the gun to the side of the waste bucket, and continue circulating for another 5 minutes to thoroughly clean the hose, pump and spray gun.
6. Turn the pressure control knob counterclockwise to its lowest setting.
7. Turn the PRIME/SPRAY valve to PRIME.
8. Trigger the gun to remove any pressure which may still be in the hose.
9. Lock the gun trigger by rotating the trigger lock forward until it stops.
10. Move the motor ON/OFF switch to OFF.
11. Cover the material container and set it aside.

Clearing the Gun

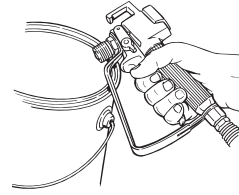
1. Remove the spray gun from the paint hose using two adjustable wrenches.
2. Remove the filter housing from the gun. Place the gun and the filter assembly into a container of water or solvent to soak.
3. Clean the spray tip and gun filter with a soft brush.
4. Reassemble the gun and filter. Assemble the spray tip in the cleaning position with the arrow pointing to the back of the gun.



5. Attach the paint hose to the gun and tighten using two wrenches.



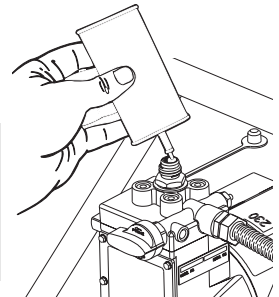
6. Move the motor ON/OFF switch to ON.
7. Unlock gun trigger by turning the gun trigger lock so that it is parallel to the gun handle.
8. Turn the PRIME/SPRAY valve to SPRAY and point the gun to the side of the waste bucket.



9. Trigger the gun and gradually turn the pressure control knob clockwise to 1/2 pressure. Continue to trigger the gun for approximately 30 seconds.
10. Turn the pressure control knob counterclockwise to its lowest setting.
11. Turn the PRIME/SPRAY valve to PRIME.
12. Trigger the gun to remove any pressure which may still be in the hose.
13. Lock the gun trigger by rotating the trigger lock forward until it stops.
14. Move the motor ON/OFF switch to OFF.

Final Cleanup

1. Remove the tip assembly.
2. Move the motor to ON.
3. Turn the PRIME/SPRAY valve to SPRAY.
4. Turn the pressure control knob clockwise to 1/2 power.
5. Trigger the gun into the cleaning bucket until the hopper or solvent bucket is empty.
6. Refill the hopper or solvent bucket and continue flushing the system until the solution coming out of the gun appears clean.
7. Lock the gun and turn the pressure control knob counterclockwise to its lowest setting.
8. Turn the PRIME/SPRAY valve to PRIME.
9. Remove the hopper or suction set from the inlet valve.
10. Clean the threads of the inlet valve with a damp cloth.
11. Fill the inlet valve with a light household oil.
12. Turn the PRIME/SPRAY valve to SPRAY to distribute the oil.



NOTE: Proper cleaning and oiling of the pump after use are the most important steps you can take to insure proper operation after storage.

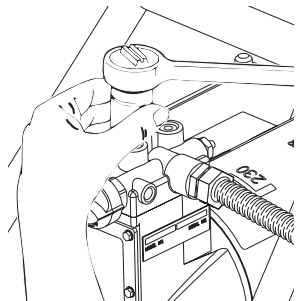
13. Turn the pressure control knob counterclockwise to its lowest setting.
14. Turn the PRIME/SPRAY valve to PRIME.
15. Trigger the gun to remove any pressure that may still be in the hose.
16. Lock the gun trigger by rotating the trigger lock forward until it stops.
17. Move the motor ON/OFF switch to OFF.
18. Remove the hopper filter and clean in clean water or the appropriate solvent. Use a soft brush.
19. Return the hopper filter to its position in the hopper.
20. Replace the hopper or suction set on the inlet valve.
21. Wipe the entire unit, hose, and gun with a damp cloth to remove accumulated material.

Maintenance

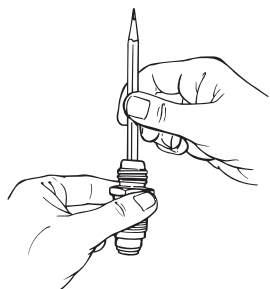
Follow these procedures when encountering problems indicated in the troubleshooting section.

Removing and Cleaning the Inlet Valves

1. Perform the Pressure Relief Procedure, turn off and unplug the unit.
2. Remove the inlet valve assembly using a 27 millimeter socket or box end wrench.



3. Test movement of the valve by pushing on it from the open end of the valve housing with a screwdriver or the eraser end of a pencil. It should move about 1/16 of an inch (0,15 mm). If it does not move, it should be cleaned or replaced.



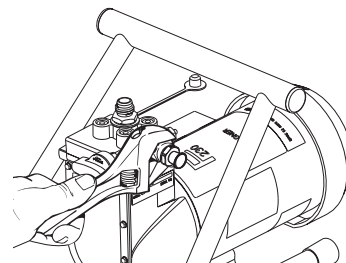
NOTE: The inlet valve must be oiled after every job. This will reduce or eliminate priming problems the next time the sprayer is used.

4. Thoroughly clean the valve assembly with water or the appropriate solvent. Use a small brush.
5. If the valve has been properly cleaned and water drips out of the bottom, the valve is worn and needs to be replaced. A properly seated valve filled with water and held vertically will not drip.
6. Install a new or cleaned valve in the pump block and then fill the valve with light oil or solvent.

Removing and Cleaning the Outlet Valve

It may be necessary to remove and clean the outlet valve or to replace parts inside the valve worn out through normal use.

1. Remove the outlet valve body with a wrench.



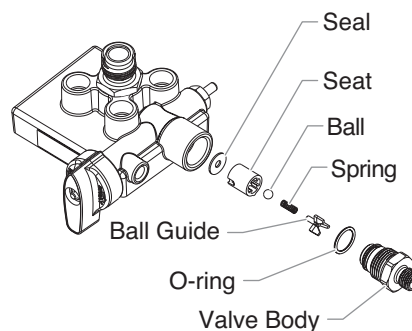
2. Remove and clean the ball guide and small spring inside the valve using a wire hook or tweezers. Replace the spring if it is broken or worn.

NOTE: This spring is manufactured to a very specific tension. Do not put in an unauthorized substitute. See the paint pump assembly parts diagram for the proper replacement part number.

3. Remove the seat and ball assembly.
4. Clean all parts thoroughly. If the ball or seat show any sign of wear or damage, replace them with new parts. This carbide ball must seal tightly against its seat for the valve to function properly.
5. Cover all parts with a thin coat of light oil before reassembling.

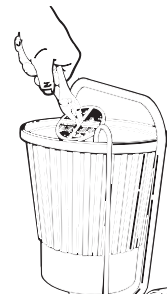
NOTE: You will need to align the ridge on the seat with the groove in the pump housing when reassembling.

6. Drop in the valve ball.
7. Insert the ball guide and spring and replace the valve body. Be sure that the o-ring is positioned properly and that the tongue on the cap fits inside the spring.
8. Tighten the valve body securely with an adjustable wrench. Do not over-tighten.



Cleaning the Hopper Screen

The screen at the bottom of the paint hopper may need cleaning periodically. Check it every time you add paint. Remove the screen by pulling it out of the hopper with a pliers. Clean the screen with water or solvent and a soft-bristle brush, if necessary.



Troubleshooting

Problem

The sprayer does not start up.

Cause

1. The sprayer is not plugged in.
2. The ON/OFF switch is set to OFF.
3. Low or no voltage is coming from the wall plug.
4. The sprayer was turned off while still under pressure.
5. The extension cord is damaged or has too low a capacity.
6. The thermal overload on the sprayer is tripped.
7. There is a problem with the motor.

Solution

1. Plug the sprayer in.
2. Turn the ON/OFF switch to ON.
3. Properly test the power supply voltage.
4. Turn the PRIME/SPRAY valve to PRIME.
5. Replace the extension cord.
6. Allow the motor to cool and move the sprayer to a cooler spot.
7. Take the sprayer to a WagnerAuthorized Service Center.

The sprayer starts up but does not draw in paint when the PRIME/SPRAY valve is set to PRIME.

1. The unit will not prime properly or has lost prime.
2. The paint hopper is empty
3. The hopper filter is clogged.
4. The inlet valve is stuck.
5. The outlet valve is stuck.
6. The PRIME/SPRAY valve is plugged.
7. The inlet valve is worn or damaged.
8. There is a problem with the diaphragm.
9. The hydraulic oil level is low or empty.

1. Try to prime the unit again.
2. Fill the paint hopper with paint.
3. Clean the hopper filter.
4. Clean the inlet valve.
5. Clean the outlet valve and replace any worn parts.
6. Take the sprayer to a WagnerAuthorized Service Center.
7. Replace the inlet valve.
8. Take the sprayer to a WagnerAuthorized Service Center.
9. Take the sprayer to a WagnerAuthorized Service Center.

The sprayer draws up paint but the pressure drops when the gun is triggered.

1. The spray tip is worn.
2. The hopper filter is clogged.
3. The gun or spray tip filter is plugged.
4. The paint is too heavy or coarse.
5. The outlet valve assembly is dirty or worn.
6. The inlet valve assembly is damaged or worn.

1. Replace the spray tip with a new tip.
2. Clean the hopper filter.
3. Clean or replace the proper filter. Always keep extra filters on hand.
4. Thin or strain the paint.
5. Clean or replace the outlet valve assembly.
6. Replace the inlet valve.

The sprayer will not shut off.

1. The inlet or outlet valve ball or ball seat is worn.
2. Foreign matter or paint has built up between the ball and the seat.

1. Take the sprayer to a WagnerAuthorized Service Center.
2. Take the sprayer to a WagnerAuthorized Service Center.

The spray gun leaks.

1. Internal parts of the gun are worn or dirty.

1. Take the sprayer to a WagnerAuthorized Service Center.

The tip assembly leaks.

1. The tip was assembled incorrectly.
2. A seal is worn.

1. Check the tip assembly and assemble properly.
2. Replace the seal.

The spray gun will not spray.

1. The spray tip, the gun filter or the tip filter is plugged.
2. The spray tip is in the CLEAN position.

1. Clean the spray tip, gun filter or tip filter.
2. Put the tip in the SPRAY position.

The paint pattern is tailing.

1. The pressure is set too low.
2. The gun, the tip, or the hopper filter is plugged.
3. The tip is worn.
4. The paint is too thick.

1. Increase the pressure.
2. Clean the filters.
3. Replace the spray tip.
4. Thin the paint.

The thermal overload tripped and shut off the sprayer.

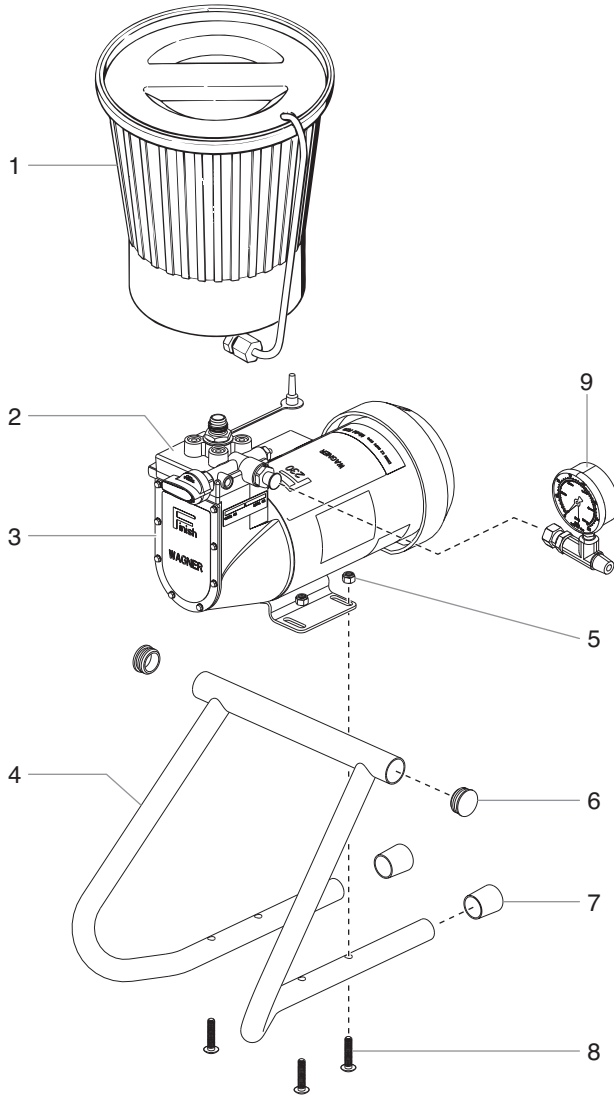
1. The motor overheated.
2. The extension cord is too long or is too small a gauge.
3. Paint has built up on the motor.
4. The motor was started while the sprayer was under pressure.
5. The sprayer was sitting in the hot sun.

1. Allow to cool for 30 minutes.
2. Allow to cool for 30 minutes and replace the extension cord with a shorter extension or a thicker gauge cord.
3. Clean the paint from the motor.
4. Restart the sprayer in the PRIME mode.
5. Move the sprayer out of the sun.

NOTE: When the PRIME/SPRAY valve is on SPRAY and there is flow through the return tube, remove the PRIME/SPRAY valve and clean or replace it.

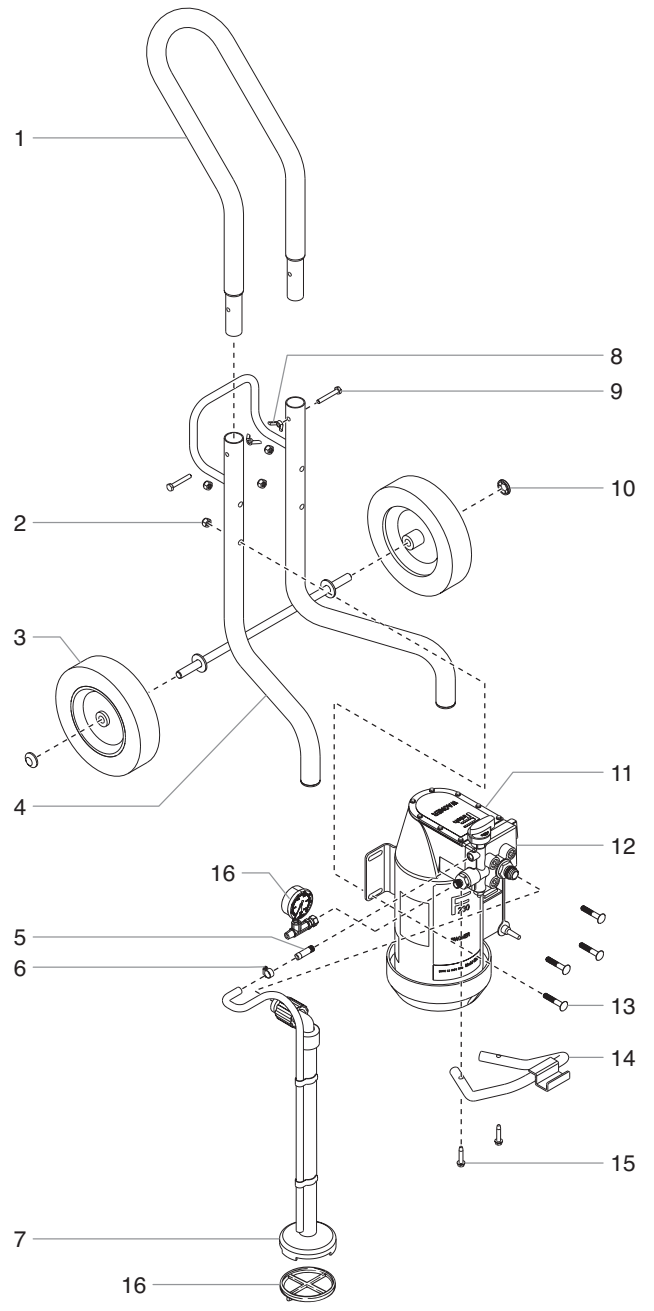
NOTE: The electric motor should always be kept clean and dry. Paint acts as an insulator. Too much paint on the motor will cause the motor to overheat.

Parts Listing Main Assembly — Hopper Unit



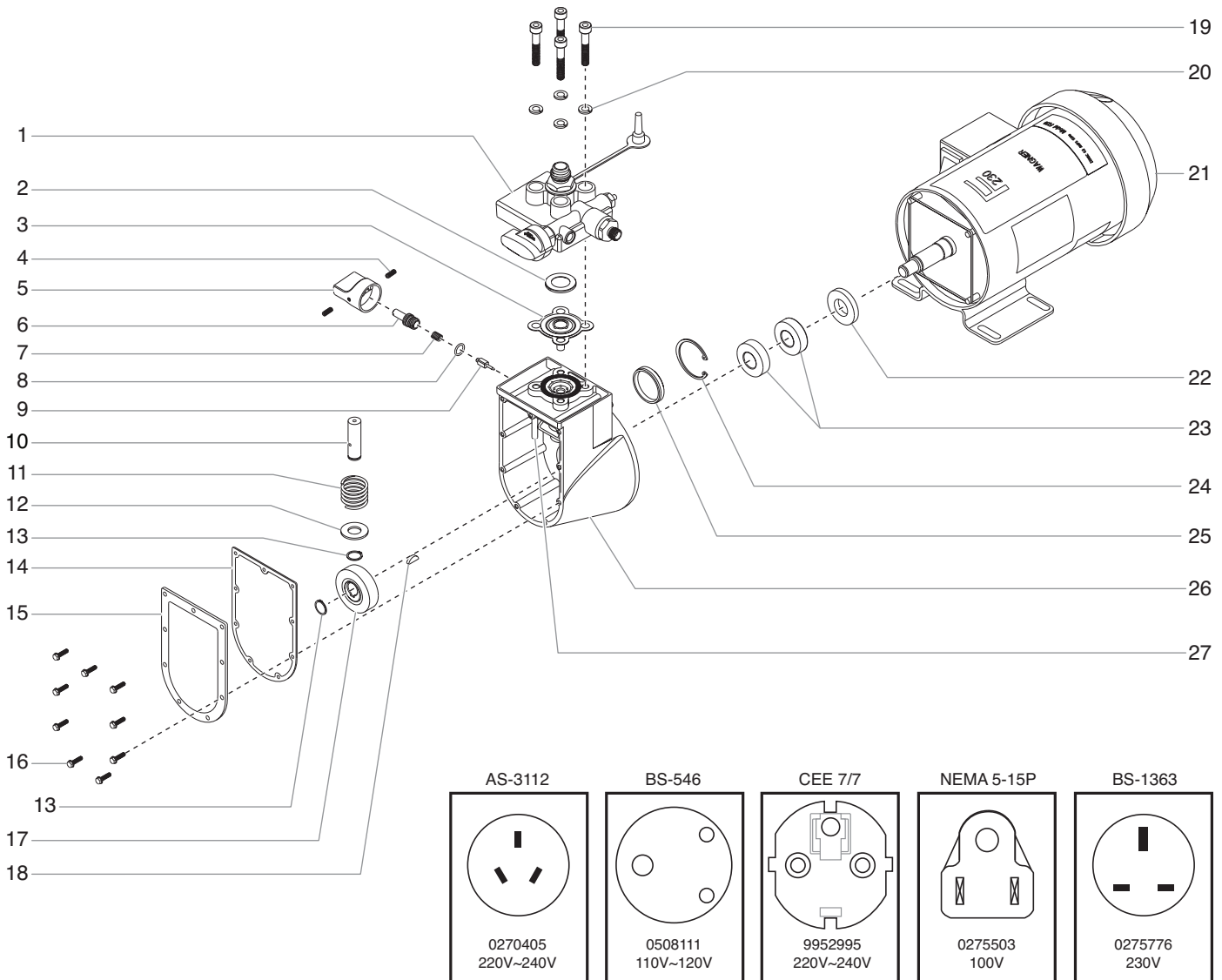
Item	Part #	Description	Quantity
1	0288144	Hopper assembly.....	1
2	-----	Pump head assembly.....	1
3	0281118	Diaphragm pump, 220–240 VAC.....	1
	0311200	Diaphragm pump, 100–120 VAC	
4	0278310	Stand	1
5	9811122	Lock nut	4
6	0294635	Plug.....	2
7	0270343	Tube cap.....	2
8	9805213	Carriage bolt.....	4
9	0508239	Manometer (if equipped)	1

Main Assembly — Suction Set Unit



Item	Part #	Description	Quantity
1	0508251	Handle	1
2	9811122	Lock nut	4
3	0512396	Wheel.....	2
4	0508255	Frame	1
5	0088715	Return hose fitting	1
6	0327226	Return hose clamp	1
7	0278147	Suction set assembly (includes item 16)	1
8	9810111	Wing nut.....	2
9	9800108	Screw.....	2
10	9810113	Axle cap.....	2
11	0555126	Diaphragm pump, 220–240 VAC.....	1
	0311200	Diaphragm pump, 100–120 VAC	
12	-----	Pump head assembly	1
13	9802533	Carriage bolt	4
14	0278364	Pail hook.....	1
15	9802519	Screw.....	2
16	0270369	Filter.....	1
17	0508239	Manometer (if equipped)	1

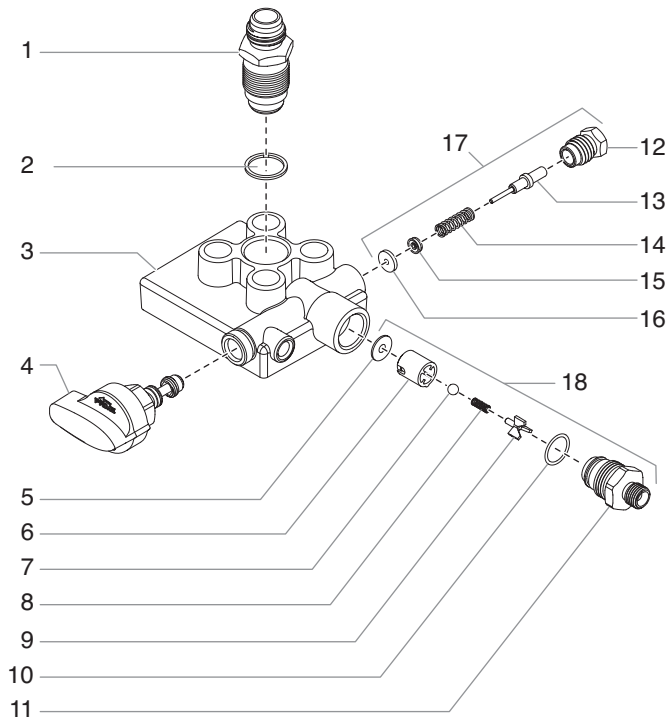
Diaphragm Pump (P/N 055126 / 220–240 VAC or P/N 0311200 / 100–120 VAC)



Item	Part #	Description	Quantity
1	0311215	Pump head	1
2	0270494	Diaphragm ring	1
3	0270201	Diaphragm	1
4	9801109	Set screw	2
5	0288775	Pressure control knob.....	1
6	0270529	Valve stem	1
7	0047373	Pressure regulating spring.....	1
8	0089518	O-ring	1
9	0089475	Pressure valve needle	1
10	0278345	Hydraulic piston	1
11	0005311	Piston spring	1
12	0270550	Piston washer	1
13	0047393	Retainer	2
14	0278359	Gasket	1
15	0278341	Hydraulic cover	1
16	9800049	Screw	9
17	0090031	Eccentric sleeve and bearing assembly.....	1

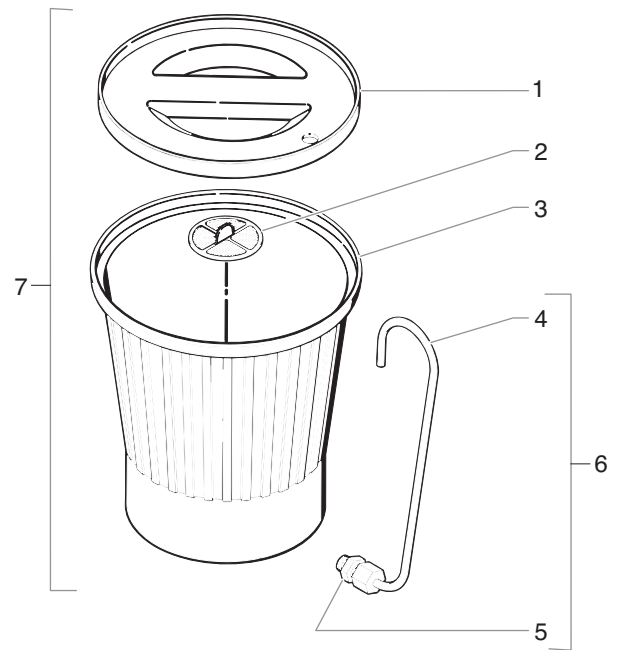
Item	Part #	Description	Quantity
18	0089829	Shaft key.....	1
19	9900355	Socket screw (torque to 15 ft/lbs).....	4
20	9921601	Lock washer.....	4
21	0508295	Motor, 220–240 VAC (suction set) (includes items 28 and 29)	1
	0281117	Motor, 220–240 VAC (hopper) (includes items 28 and 29)	1
	0278469	Motor, 100–120 VAC (includes items 28 and 29)	1
22	0270524	Seal.....	1
23	0270490	Ball bearing.....	2
24	0311400	Snap ring	1
25	9870117	Plug seal.....	1
26	0278238	Hydraulic housing assembly (includes items 22–25)	1
27	0278387	Fitting	1
28	0270462	Fan (not shown).....	1
29	0270612	Fan cover (not shown).....	1
	-----	Power cord (not shown, see above).....	1

Pump Head Assembly



Item	Part #	Description	Quantity
1	0278242	Inlet valve assembly (includes item 2).....	1
2	0089482	Sealing washer, nylon.....	1
3	0278334	Paint pump.....	1
4	0555901	PRIME/SPRAY valve assembly.....	1
5	0278362	Outlet seal.....	1
6	0278241	Ball.....	1
7	0093635	Ball.....	1
8	0047485	Outlet spring.....	1
9	0278361	Ball guide.....	1
10	9871114	O-ring.....	1
11	0278335	Outlet fitting.....	1
12	0278337	Pusher body.....	1
13	0278250	Pusher stem assembly.....	1
14	0278368	Pusher spring.....	1
15	0156646	Seal.....	1
16	0278340	Pusher washer.....	1
17	0508199	Pusher assembly (includes items 12-16)	1
18	0508198	Outlet assembly (includes items 5-11)	1

Hopper Assembly



Item	Part #	Description	Quantity
1	0279591	Cover, hopper.....	1
2	0089917	Filter screen, fine (shown).....	1
	0088871	Filter screen, coarse	
3	0524443	Hopper.....	1
4	0093865	Return tube.....	1
5	0403309	Fitting.....	1
6	0090560	Return tube assembly (includes items 4 and 5).....	1
7	0288144	Hopper complete (includes items 1 – 6).....	1

Inhaltsverzeichnis

Sicherheitshinweise	14
Allgemeine Beschreibung	16
Technische Daten	16
Vorbereitung der Farbe	16
Vorfüllen	17
Vorbereitungen für das Vorfüllen	17
Montage des Farbbehälters	17
Anbau der Ansauginheit	17
Vorfüllen der Pumpe	17
Vorgehensweise bei Druckentlastung	18
Sprühen	18
Reinigung	19
Wartung	21
Fehlersuche und -behebung	22
Teileliste	23
Hauptbaugruppe – Behältereinheit	23
Hauptbaugruppe – Ansauginheit	23
Membranpumpe	24
Pumpenkopfbaugruppe	25
Farbbehälterbaugruppe	25

Sicherheitshinweise

Diese Bedienanleitung enthält Informationen, die der Benutzer vor Verwendung des Geräts gründlich durcharbeiten muss. In Bereichen, die mit den folgenden Symbolen gekennzeichnet sind, besonders vorsichtig arbeiten und alle Sicherheitshinweise beachten.



GEFAHR

Dieses Symbol verweist auf eine potenzielle Gefahr, die zum Tode oder zu schweren Verletzungen führen kann. Hier finden Sie wichtige Sicherheitsinformationen.



VORSICHT

Dieses Symbol weist auf eine potenzielle Gefahr für Sie bzw. das Gerät hin. Unter diesem Symbol finden Sie wichtige Informationen, wie Sie Schäden an dem Gerät und Verletzungsgefahr vermeiden.

HINWEIS: Hinweise enthalten wichtige Informationen, die beachtet werden sollten.



VORSICHT

Dieses Gerät wird mit einem automatischen Thermoüberlastschutz geliefert. Wenn eine Überlastung eintritt, trennt der Thermoüberlastschutz automatisch den Motor von der Stromversorgung.

- Der Motor läuft ohne Warnung wieder an, sobald der Thermoüberlastschutz automatisch zurückgestellt wird.
- Den Motor immer von der Stromversorgung abklemmen, wenn Arbeiten an der Anlage durchgeführt werden.
- Wenn der automatische Thermoüberlastschutz den Motor von der Stromversorgung trennt, den Druck des Vorfüllventils durch Drehung auf PRIME entspannen.
- Den Einschalter auf OFF stellen.



GEFAHR

GEFAHR: Verletzung durch Flüssigkeiten unter Druck - Eine unter hohem Druck stehende Flüssigkeit, wie sie von diesem Gerät erzeugt wird, kann die Haut durchdringen und in das darunter liegende Bindegewebe eindringen und so zu schweren Verletzungen und selbst zur Amputation führen.



EINE VERLETZUNG DURCH EINE INJEKTION VON FLÜSSIGKEIT UNTER DRUCK NICHT WIE EINEN NORMALEN SCHNITT BEHANDELN! Eindringen von Flüssigkeiten unter Druck in das Gewebe können Amputationen erforderlich machen. Sofort einen Arzt aufsuchen.

Der maximale Betriebsdruck für die Spritzpistole beträgt 20,7 MPa (3000 psi).

VORSICHTSMASSNAHMEN:

- NIEMALS die Spritzpistole auf Körperteile halten.
- NIEMALS mit Körperteilen den Flüssigkeitsstrahl berühren. NIEMALS mit dem Körper eine Leckstelle im Druckschlauch berühren.
- NIEMALS die Hand vor die Düse der Spritzpistole halten. Handschuhe stellen keinen sicheren Schutz vor Verletzungen durch injizierte Flüssigkeiten dar.
- STETS den Auslöser der Spritzpistole verriegeln, die Pumpe ausschalten und den Druck vollständig entspannen, bevor Wartungs- und Reinigungsarbeiten, Durchsichten, Düsenwechsel oder ähnliche Arbeiten durchgeführt werden oder das Gerät unbeaufsichtigt gelassen wird. Auch nach dem Ausschalten des Motors steht das Gerät noch unter Druck. Das Ventil PRIME/SPRAY (Vorfüll-/Sprühventil) bzw. das Druckentlastungsventil müssen in ihren Sollpositionen stehen, um den Systemdruck zu entspannen. Weitere Hinweise zur DRUCKENTLASTUNG finden Sie in der Bedienanleitung.
- STETS den Düsenschutz aufsetzen, wenn Spritzarbeiten durchgeführt werden. Der Düsenschutz stellt einen gewissen Schutz dar, ist aber vor allem als Warnvorrichtung gedacht.
- STETS die Spritzdüse entfernen, bevor das System gereinigt oder gespült wird.
- Durch Verschleiß, Knicken und nicht zweckentsprechende Verwendung können sich Leckstellen im Farbschlauch bilden. Durch eine Leckstelle kann Flüssigkeit in die Haut injiziert werden. Vor Verwendung den Schlauch gründlich prüfen.
- NIEMALS eine Spritzpistole ohne funktionsfähige Auslöserverriegelung und ohne Auslöserbügel verwenden.
- Das gesamte Zubehör muss mindestens für den maximalen Betriebsdruckbereich des Spritzgeräts zugelassen sein. Dazu gehören Spritzdüsen, Spritzpistolen, Verlängerungen und Schlauch.

HINWEIS FÜR DEN ARZT:

Injektionsverletzungen der Haut sind traumatische Verletzungen. Diese Verletzung muss unbedingt so schnell wie möglich behandelt werden. Die Behandlung NICHT hinauszögern, um erst die Toxizität zu prüfen. Toxizität spielt bei einigen Lacken eine Rolle, wenn diese direkt in den Blutkreislauf injiziert werden. Es ist sinnvoll, in diesem Fall einen plastischen Chirurgen oder einen Chirurgen zur Handwiederherstellung zu konsultieren.

GEFAHR: EXPLOSIONS- und BRANDGEFAHR - Lösungsmittel und Farbdämpfe können sich entzünden oder explodieren. Schwere Verletzungen und/oder Sachschäden können die Folge sein.

VORSICHTSMASSNAHMEN:

- Für guten Abzug und Zufuhr von Frischluft sorgen, damit sich im Spritzbereich keine entzündlichen Dämpfe sammeln.
- Alle Zündquellen wie Funken durch elektrostatische Entladung, Elektrogeräte, offene Flammen, Zündflammen, heiße Gegenstände und Funken durch Schließen und Trennen von Netzkabeln oder Betätigen von Arbeitsscheinwerferschaltern ausschließen.

- Im Spritzbereich nicht rauchen.
- Es muss ein funktionsfähiger Feuerlöscher vorhanden sein.
- Das Spritzgerät mindestens 6,1 m (20 Fuß) von dem zu bespritzenden Gegenstand in einem gut belüfteten Bereich aufstellen (gegebenenfalls einen Verlängerungsschlauch benutzen). Entzündliche Dämpfe sind oft schwerer als Luft. Die Fläche über dem Boden muss besonders gut belüftet werden. Die Pumpe enthält Teile, bei denen eine Lichtbogenbildung nicht ausgeschlossen werden kann und die durch Funken Dämpfe entzünden.
- Die zu bespritzenden Objekte und die Ausrüstung im Spritzbereich müssen sorgfältig geerdet werden, um Funken durch elektrostatische Entladungen zu vermeiden.
- Nur leitfähige bzw. geerdete Hochdruckflüssigkeitsschläuche verwenden. Die Spritzpistole muss über die Schlauchanschlüsse geerdet sein.
- Das Netzkabel muss an einem Schutzkontaktstromkreis angeschlossen sein (nur für Elektrogeräte).
- Das Gerät immer in einem separaten Metallbehälter mit niedrigem Pumpendruck und entfernter Spritzdüse spülen. Die Spritzpistole fest an die Wand des Behälters halten, um den Behälter zu erden und Funken durch elektrostatische Entladungen zu verhindern.
- Die Warnhinweise und Vorschriften des Herstellers der Lösungsmittel und Materialien einhalten.
- Das Gerät muss an einem geerdeten Gegenstand angeschlossen sein. Das Gerät mit dem gelbgrünen Schutzleiter an einem Wasserrohr, einem Stahlträger oder einem anderen elektrisch geerdeten Teil anschließen.
- Keine Materialien mit einem Flammpunkt unter 21 °C (70 °F) verarbeiten. Der Flammpunkt ist die Temperatur, bei der eine Flüssigkeit so viele Dämpfe entwickelt, dass diese sich entzünden können.
- Kunststoffe können elektrostatische Entladungen verursachen. Niemals Kunststofffolien zur Abschirmung des Spritzbereichs verwenden. Keine Wegwerfkleidung aus Kunststoff tragen, wenn entflammbare Materialien verspritzt werden.
- Zum Spülen des Geräts immer mit einer möglichst niedrigen Druckeinstellung arbeiten.

BENZINMOTOR (SO FERN ZUTREFFEND)

Das Spritzgerät stets außerhalb des Gebäudes im Freien aufstellen. Lösungsmittel von der Abgasanlage des Motors fern halten. Den Kraftstofftank niemals bei heißem oder laufendem Motor betanken. Verschütteter Kraftstoff kann sich auf heißen Oberflächen entzünden. Die Pumpe stets über ein Erdkabel mit einem geerdeten Gegenstand verbinden. In der Bedienanleitung finden Sie die vollständigen Sicherheitsinformationen.

GEFAHR: EXPLOSIONSGEFAHR AUFGRUND INKOMPATIBLER MATERIALIEN - Inkompatible Materialien können schwere Personen- und Sachschäden verursachen.

VORSICHTSMASSNAHMEN:

- Keine Materialien verarbeiten, die Chlor oder Hypochlorid enthalten.
- Keine halogenierten Kohlenwasserstoffe als Lösungsmittel verwenden, beispielsweise Methylenchlorid und 1,1,1-Trichlorethan. Diese Stoffe greifen Aluminium an und können Explosionen verursachen. Wenn Sie sich nicht sicher sind, ob das Material mit Aluminium kompatibel ist, informieren Sie sich bei dem Lacklieferanten.

GEFAHR: GEFÄHRLICHE DÄMPFE - Farben, Insektizide, Lösungsmittel und andere Materialien können beim Einatmen oder beim Kontakt mit dem Körper gesundheitsschädlich sein. Die Dämpfe können schwere Übelkeit, Ohnmacht und Vergiftungen verursachen.

VORSICHTSMASSNAHMEN :

- Wenn die Gefahr besteht, dass Dämpfe eingeatmet werden, eine Gesichtsmaske oder ein Atemgerät tragen. Alle mit der Gesichtsmaske mitgelieferten Anleitungen durcharbeiten, damit die Gesichtsmaske auch den gewünschten Schutz bietet.

- Arbeitsschutzbrille tragen.
- Arbeitsschutzkleidung entsprechend den Anweisungen des Lackherstellers tragen.

GEFAHR: ALLGEMEINES - Kann schwere Personen- oder Sachschäden verursachen.

VORSICHTSMASSNAHMEN :

- Bei Anweisungen und Sicherheitshinweise vor Inbetriebnahme des Geräts durcharbeiten.
- Alle lokalen sowie im Land bzw. Bundesland geltenden Vorschriften zum Brandschutz, zur Bedienung und Lüftung einhalten.
- Bei Betätigung des Auslösers zieht die Spritzpistole zur Seite. Diese Kraftwirkung der Spritzpistole ist besonders stark, wenn die Düse entfernt und bei der Pumpe hoher Druck eingestellt wurde. Bei der Reinigung mit abgeschraubter Düse daher den Druckreglerknopf auf den niedrigsten Druck einstellen.
- Nur vom Hersteller zugelassene Teile verwenden. Bei Verwendung von Teilen, die nicht die technischen Mindestanforderungen erfüllen, trägt der Benutzer alle Risiken und die gesamte Haftung. Dies gilt auch für die Sicherheitsvorrichtungen der Pumpe.
- Vor jedem Einsatz alle Schläuche auf Einschnitte, Leckstellen, Scheuerstellen oder gewölbte Oberflächen kontrollieren. Die Kupplungen auf Unversehrtheit und festen Sitz kontrollieren. Schläuche unverzüglich ersetzen, wenn einer der oben genannten Fehler festgestellt wird. Einen Farbschlauch niemals reparieren. Einen defekten Schlauch durch einen geerdeten Hochdruckschlauch ersetzen.
- IMMER die Hinweise des Herstellers zum sicheren Umgang mit Farben und Lösungsmitteln einhalten.
- Dieses Gerät nicht in Werkstätten verwenden, in denen Explosionsgefahr besteht.
- Alle Materialien sofort reinigen und verschüttete Lösungsmittel aufnehmen.
- Bei Arbeiten am Gerät immer zuerst den Netzstecker ziehen (gilt nur für Elektrogeräte).
- Gehörschutz tragen. Dieses Gerät kann einen Schalldruck über 85 dB(A) erzeugen.
- Das Gerät niemals unbeaufsichtigt lassen. Kinder oder andere Personen, die mit dem Betrieb des druckluftlosen Spritzgeräts nicht vertraut sind, von dem Gerät fern halten.
- An windigen Tagen nicht im Freien spritzen.

Hinweise zur Erdung

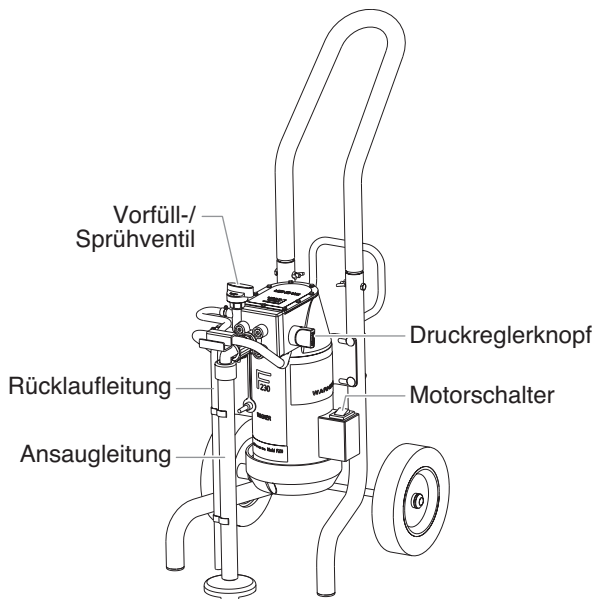
Elektrogeräte müssen geerdet werden. Bei einem elektrischen Kurzschluss reduziert die Erdung die Gefahr eines elektrischen Schlages, da der Fehlerstrom über den Schutzleiter abgeführt wird. Dieses Gerät ist mit einem Netzkabel versehen, das einen separaten Schutzleiter und einen Schutzkontaktstecker besitzt. Der Schutzkontaktstecker darf nur in eine entsprechend den geltenden Vorschriften installierte Schutzkontaktsteckdose eingeführt werden.

GEFAHR — Bei falschem Anschluss des Schutzkontaktsteckers besteht das Risiko eines elektrischen Schlages. Bei Austausch oder Reparatur von Netzkabel oder Netzstecker den gelbgrünen Schutzleiter nicht an einem der Phasenkontakte anklammern. Die Ader mit der gelbgrünen Isolierung ist der Schutzleiter. Sie muss mit dem Schutzkontakt verbunden werden.

Wenn Sie Zweifel haben, ob das Gerät ordnungsgemäß geerdet ist, oder diese Hinweise nicht vollständig verständlich sind, eine Elektrofachkraft oder einen Wartungstechniker konsultieren. Den mitgelieferten Stecker nicht verändern. Wenn der Stecker nicht in die Steckdose passt, durch eine qualifizierte Elektrofachkraft den richtigen Anschluss herstellen lassen.

Allgemeine Beschreibung

Dieses Hochleistungs-Airless-Spritzgerät ist ein Präzisionswerkzeug für die Farbgebung unterschiedlichster Materialien. Diese Bedienanleitung sorgfältig durcharbeiten und die Hinweise zur Vorbereitung auf den Betrieb, zur Bedienung und zur Gewährleistung der Sicherheit einhalten.



Technische Daten

Gewicht:

Behältereinheit 17 kg (37 lbs.)
 Ansaugereinheit 20 kg (44 lbs.)

Fördervolumen Bis 1,25 l (0,35 Gallonen) pro Minute

Energieversorgung Elektromotor, voll gekapselt, gebläsegekühlt

Spannung 220–240 V~, 50/60 Hz, 6,2 A oder 100–120 V~, 50/60 Hz, 11,0 A

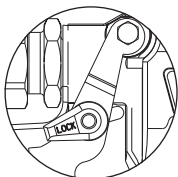
Spritzdruck Bis 20,7 MPa (3000 psi)

Verarbeitbare Farben Zum Spritzen verschiedener ölhaltiger und Latexfarben, Grundierungen und Beizen

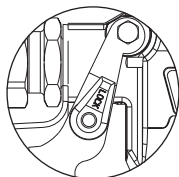
Vorbereitung der Farbe

Anbau der Düse an der Spritzpistole

1. Zum Verriegeln des Abzugs die Abzugsicherung nach vorn bis zum Anschlag drehen.



Abzug verriegelt
(Spritzpistole sprüht nicht)



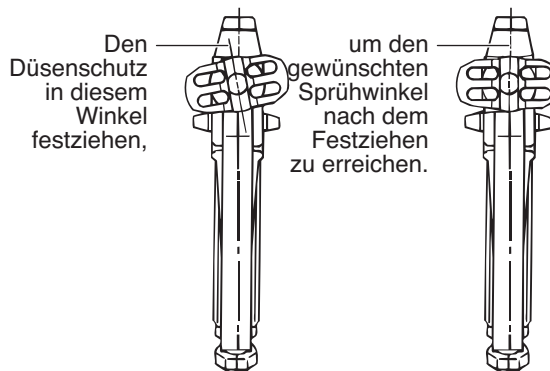
Abzug entriegelt
(Spritzpistole sprüht)



GEFAHR EINER FLÜSSIGKEITSINJEKTION. Keine Sprüharbeiten ohne den Düsenschutz durchführen. Den Auslöser der Spritzpistole nur betätigen, wenn die Düse entweder in der Sprühposition oder in der Position zur Düsenreinigung steht. Den Spritzpistolenauslöser immer verriegeln, bevor die Düse entfernt, ersetzt oder gereinigt wird.

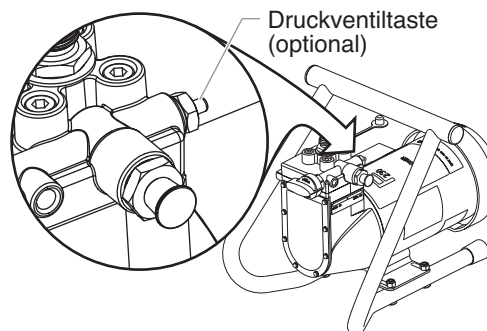
2. Den Düsenschutz in die Spritzpistole einschrauben. Die Mutter zuerst mit der Hand aufdrehen und dann mit einem Schraubenschlüssel festziehen.

HINWEIS: Beim Anbau des Düsenschutzes für die Spritzpistole den Düsenschutz wie in der folgenden Abbildung ausrichten und mit einem Schraubenschlüssel festziehen.



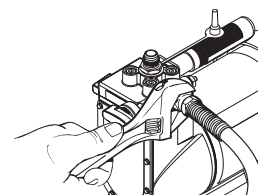
Überprüfung des Auslassventils (optional)

1. Den optionalen Druckventilknopf an der Seite des Pumpengehäuses fest drücken, um zu kontrollieren, ob sich das Auslasskugelventil frei bewegen kann.

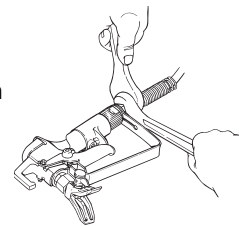


Anbau des Farbschlauchs

1. Den Hochdruckschlauch am Farbspritzgerät anbauen. Den Farbschlauch mit einem Schraubenschlüssel festziehen.



2. Die Spritzpistole am anderen Ende des Hochdruckschlauchs anschrauben. Mit einem Schraubenschlüssel den Schlauch festhalten und mit einem zweiten Schraubenschlüssel die Spritzpistole festziehen.

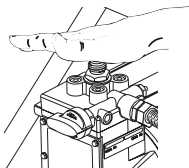
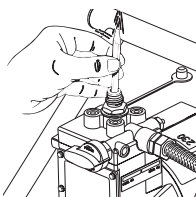
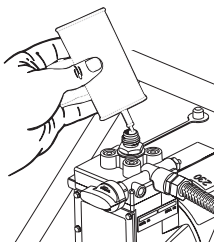


3. Die Spritzpistole an eine funktionsfähige Schutzkontaktsteckdose oder eine entsprechend dimensionierte Schutzkontaktverlängerungsschnur anschließen. Die Verlängerungsschnur darf maximal 30 m (100 Fuß) lang sein. Bei Sprüharbeiten in größerer Entfernung von einer Steckdose einen längeren Farbschlauch und keine Verlängerungsschnur verwenden. Verlängerungsschnuren bis 15 m (50 Fuß) Länge müssen mindestens einen Drahtquerschnitt von 1,29 mm (16 Gauge) besitzen, Verlängerungsschnuren zwischen 15 und 30 m (50 und 100 Fuß) Länge mindestens eine Drahtquerschnitt von 1,63 bis 2,05 mm (12 bis 14 Gauge).

Vorfüllen

Vorbereitungen für das Vorfüllen

1. Das Einlassventil mit Wasser oder mit einem leichten Haushaltöl füllen.
2. Das Vorfüll-/Sprühventil auf PRIME (Vorfüllen) stellen und den Druckreglerknopf ganz nach links auf die niedrigste Druckeinstellung drehen.
3. Den Motorschalter einschalten.
4. Durch Drehung des Druckreglerknöpfes um eine halbe Umdrehung nach rechts den Druck erhöhen.
5. Das Einlassventil durch Drücken mit einem Schraubenzieher oder dem stumpfen Ende eines Bleistifts gewaltsam öffnen und schließen. Es muss sich etwa 3 mm (1/16 Zoll) auf und ab bewegen. Diesen Vorgang fortsetzen, bis Wasser bzw. Öl vom Spritzgerät angesaugt wird. Auf diese Weise werden die beweglichen Teile angefeuchtet und alte Farbreste gelöst.
6. Die Handfläche über den Einlass halten. Den Druckreglerknopf bis zur Maximaleinstellung nach rechts drehen. Es muss ein Saugdruck vom Einlassventil spürbar sein. Anderenfalls im Kapitel zur Reinigung und Wartung des Auslassventils nachschlagen.
7. Den Druckreglerknopf nach links bis zur minimalen Druckeinstellung drehen.
8. Den Motor ausschalten.



Montage des Farbbehälters

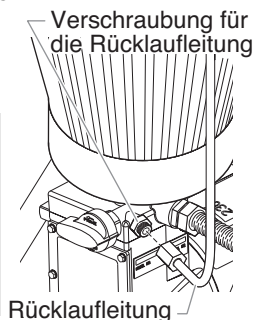
Mit den folgenden Schritten den Farbbehälter montieren und die Rücklaufleitung an der Behältereinheit anbauen.

1. Den Boden des Farbbehälters mit dem Einschraubeinlassventil am Farbpumpenblock ausrichten.
2. Den Farbbehälter nach rechts drehen und auf das Einlassventil schrauben. Den Farbbehälter weiter drehen, bis er fest auf dem Einlassventil sitzt.

HINWEIS: Das Gewinde darf nicht verkantet sein, und der Behälter muss sich frei auf dem Einlassventil bewegen können. Nicht überdrehen.

3. Den Filtereinsatz in den Boden des Farbbehälters einsetzen und einrasten lassen.
4. Der Motorschalter muss in Stellung OFF (Aus) stehen.
5. Die Verschraubung für die Rücklaufleitung in den Anschluss für die Rücklaufleitung an der Seite der Pumpe einschrauben.

HINWEIS: Nicht zu fest anziehen. Nur handfest anziehen. Einige Gewindgänge bleiben auch dann sichtbar, wenn die Verschraubung festgezogen ist.



6. Das gerade Ende der Rücklaufleitung in die Verschraubung für die Rücklaufleitung einsetzen.
7. Die Mutter auf der Rücklaufleitung auf die Verschraubung aufschrauben und festziehen, bis die Rücklaufleitung sicher sitzt.
8. Das gekrümmte Ende der Rücklaufleitung in die Bohrung des Farbbehälterdeckels einsetzen.



Anbau der Ansaugereinheit

Mit den folgenden Schritten den Ansaugsatz an der Ansaugereinheit anbauen.

1. Die Mutter am Ansaugsatz auf das Gewinde des Einlassventils am Farbpumpenblock ausrichten.
2. Die Mutter nach rechts drehen und auf das Einlassventil aufschrauben. Die Mutter fest auf das Einlassventil schrauben.

HINWEIS: Das Gewinde muss gerade ausgerichtet sein, und die Mutter muss sich frei auf dem Einlassventil drehen können. Nicht überdrehen.

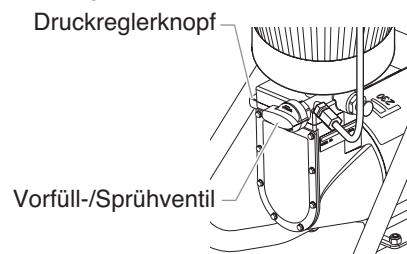
3. Die Verschraubung für die Rücklaufleitung in den Anschluss für die Rücklaufleitung an der Seite der Pumpe einschrauben.

HINWEIS: Nicht zu fest anziehen. Nur handfest anziehen. Einige Gewindgänge bleiben auch dann sichtbar, wenn die Verschraubung festgezogen ist.

4. Das gerade Ende der Rücklaufleitung in die Verschraubung für die Rücklaufleitung einsetzen.
5. Die Rücklaufleitungsklemme auf die Verschraubung der Rücklaufleitung schieben und festziehen, bis die Rücklaufleitung sicher sitzt.

Vorfüllen der Pumpe

1. Den Druckreglerknopf nach links auf die niedrigste Druckeinstellung drehen.



2. Den Farbbehälterdeckel entfernen und den Farbbehälter füllen oder den Ansaugsatz in einen Farbeimer hängen.
3. Das Vorfüll-/Sprühventil auf PRIME (Vorfüllen) drehen.
4. Den Motorschalter einschalten.
5. Den Druckreglerknopf nach rechts in eine Einstellung zwischen halben und vollen Druck drehen. Das Gerät 1 bis 2 Minuten arbeiten lassen, nachdem Farbe aus der Rücklaufleitung austritt.

▲ VORSICHT

Den Druck immer auf null verringern, bevor die Stellung des Vorfüll-/Sprühventils geändert wird. Anderenfalls kann die Membran der Farbpumpe beschädigt werden.

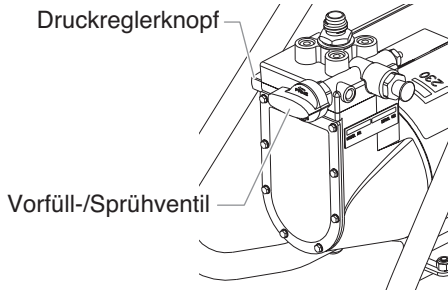
▲ VORSICHT

Wenn der Druckreglerknopf auf null gestellt ist und das Vorfüll-/Sprühventil noch auf SPRAY (Sprühen) steht, während die Spritzpistole arbeitet, stehen der Schlauch und die Spritzpistole unter hohem Druck, bis das Vorfüll-/Sprühventil auf PRIME (Vorfüllen) gestellt oder die Spritzpistole betätigt wird, um den Druck zu entspannen.

Vorgehensweise bei Druckentlastung

Nach dem Zusammenbau des Geräts sowie nach Manipulationen an der Spritzpistole, z. B. Reinigung oder Wartungsarbeiten oder Wechsel von Düsen oder Zubehör, die folgenden Schritte ausführen.

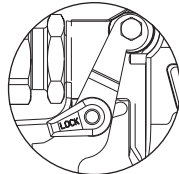
1. Den Druckreglerknopf nach links bis zur niedrigsten Einstellung drehen.



2. Das Vorfüll-/Sprühventil auf PRIME (Vorfüllen) drehen.
3. Den Auslöser der Spritzpistole drücken, um eventuell noch im Schlauch vorhandenen Druck abzubauen.
4. Zum Verriegeln des Abzugs die Abzugsicherung nach vorn bis zum Anschlag drehen.

GEFAHR

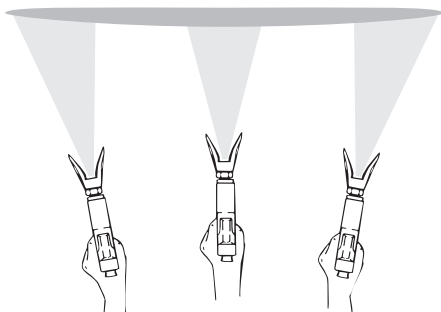
Injektionsgefahr. Keine Sprüharbeiten ohne den Düsenschutz durchzuführen. Den Auslöser der Spritzpistole nur betätigen, wenn die Düse vollständig in der Sprühposition oder in der Position zur Düsenreinigung steht. Den Spritzpistolenauslöser immer verriegeln, bevor die Düse entfernt, ersetzt oder gereinigt wird.



Sprühen Sprühverfahren

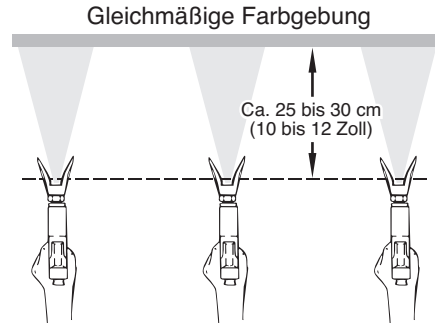
Eine gute Farbdeckung erfolgt durch eine gleichmäßige Farbschicht auf der gesamten Oberfläche. Dazu muss die Spritzpistole gleichmäßig bewegt werden. Den Arm mit konstanter Geschwindigkeit bewegen und die Spritzpistole in konstantem Abstand zur Oberfläche halten. Die beste Sprühentfernung sind 25 bis 30 cm (10 bis 12 Zoll) Abstand zwischen Spritzdüse und Materialoberfläche.

Dünne Farbschicht Dicke Farbschicht Dünne Farbschicht



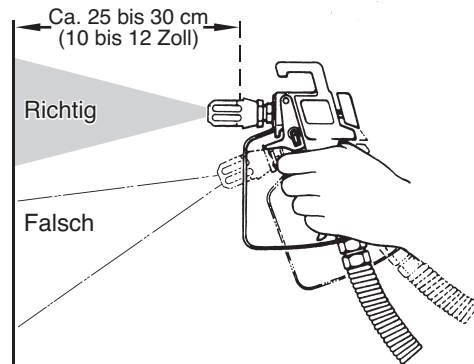
Beim Sprühen das Handgelenk nicht bewegen.

Die Spritzpistole im rechten Winkel zur Oberfläche halten. Das heißt, den gesamten Arm vorwärts und rückwärts bewegen und nicht nur das Handgelenk.

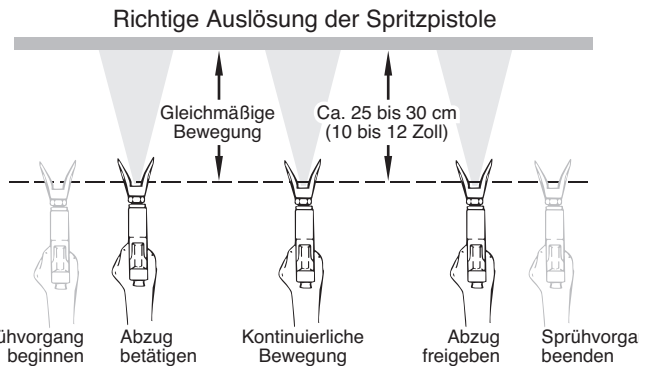


Die Spritzpistole gleichmäßig und nicht ruckartig bewegen.

Die Spritzpistole lotrecht zur Oberfläche halten, anderenfalls ist eine Farbgebungsseite dicker als die andere.



Die Spritzpistole sollte bei jeder Hin- und Herbewegung ein- und ausgeschaltet werden. Dadurch wird Farbe gespart und die Ablagerung von Farbe am Ende der Spritzpistolensbewegung vermieden. Die Spritzpistole nicht in der Mitte einer Sprühbewegung auslösen. Sonst wird ungleichmäßig gesprüht, und die Farbschicht wird fleckig.



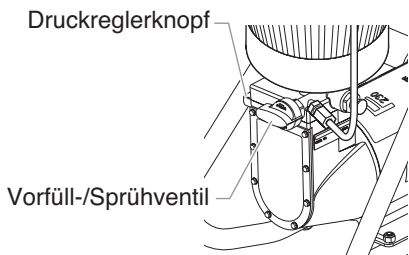
Bei jeder Farbspühbewegung eine Überlappung von etwa 30 % berücksichtigen. Auf diese Weise wird eine gleichmäßige Farbgebung erreicht.

Beim Stopp der Farbgebung die Verriegelung des Spritzpistolenauslösers einrasten lassen, den Druckreglerknopf nach links auf die niedrigste Druckeinstellung drehen und das Vorfüll /Sprühventil auf PRIME (Vorfüllen) stellen. Den Motor mit dem Motorschalter ausschalten und das Spritzgerät von der Steckdose trennen.

Soll die Spritzpistole länger als 1 Stunde lang nicht benutzt werden, die Schritte zur kurzfristigen Reinigung im Abschnitt „Reinigung“ dieses Handbuchs ausführen.

Vorgehensweise

1. Der Farbschlauch darf nicht geknickt sein und darf keinen Kontakt mit Gegenständen mit scharfen Schneidkanten haben.
2. Den Druckreglerknopf nach links bis zur niedrigsten Druckeinstellung drehen.



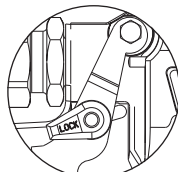
- Das Vorfüll-/Sprühventil auf SPRAY (Sprühen) stellen.
- Den Druckreglerknopf nach rechts bis zur höchsten Einstellung drehen. Sobald Farbe durch den Farbschlauch fließt, muss der Farbschlauch steifer werden.
- Die Verriegelung des Spritzpistolenauslösers durch Drehung des Schalters aufheben, so dass dieser parallel zum Griff steht.
- Die Spritzpistole auslösen, um die Luft aus dem Schlauch zu entfernen.
- Wenn Farbe aus der Spritzdüse austritt, einen Testbereich sprühen, um das Sprühmuster zu kontrollieren.
- Immer die niedrigste Druckeinstellung wählen, mit der ein gutes Sprühmuster erreicht werden kann. Ist der Druck zu hoch eingestellt, wird das Sprühmuster zu dünn. Ist der Druck zu niedrig eingestellt, kommt es zur Streifenbildung, oder die Farbe tritt nicht als Farbnebel, sondern in Form von Tröpfchen aus.



Reinigung Lagerung über Nacht

Außerbetriebnahme

- Den Druckreglerknopf nach links auf die kleinste Druckeinstellung drehen.
- Das Vorfüll-/Sprühventil auf PRIME (Vorfüllen) stellen, um den Systemdruck zu entspannen.
- Den Auslöser der Spritzpistole drücken, um eventuell noch im Schlauch vorhandenen Druck abzubauen.
- Zum Verriegeln des Abzugs die Abzugsicherung nach vorn bis zum Anschlag drehen.
- Den Motor mit dem Motorschalter ausschalten und das Spritzgerät von der Steckdose trennen.
- Bei Latexfarben vorsichtig eine halbe Tasse Wasser auf die Farbe gießen, damit sie nicht austrocknet. Bei allen anderen Farben das Farbgebinde oder den Farbbehälter (mit dem Behälterdeckel) versiegeln und die Rücklaufleitung in der Farbe lassen.



Abzug verriegelt (Spritzpistole sprüht nicht)



- Die Spritzpistole in ein feuchtes Tuch einschlagen und in einer Plastiktüte aufbewahren. Die Plastiktüte dicht versiegeln.
- Bei kurzer Lagerung das Spritzgerät an einen sicheren, sonnengeschützten Ort bringen.

Inbetriebnahme

- Die Spritzpistole aus der Plastiktüte nehmen.
- Das Wasser bei Latexfarbe in die Farbe einrühren. Bei anderen Farben den Deckel des Farbbehälters oder Farbgebindes abnehmen und die Farbe umrühren.
- Das Vorfüll-/Sprühventil auf PRIME (Vorfüllen) stellen, damit der Druck vollständig entspannt wird.
- Das Spritzgerät mit einer Steckdose verbinden und den Motor mit dem Motorschalter einschalten.
- Sobald die Vorfüllung des Spritzgeräts abgeschlossen ist, das Vorfüll-/Sprühventil auf SPRAY (Sprühen) einstellen und durch langsames Drehen des Reglerknopfs nach rechts den Druck erhöhen.
- Das Spritzgerät an einem Werkstück testen und mit dem Sprühen beginnen.



Längere Lagerung

GEFAHR

Eine Ablagerung von Farbe auf dem Motor ist unzulässig, dadurch überhitzt sich der Motor. Entflammare Lösungsmittel dürfen keinen Kontakt mit dem Motor haben, sonst können sie sich entzünden.

HINWEIS: Benötigt werden ein Eimer, Reinigungslösung, eine Zahnbürste, ein Schraubenschlüssel und Putzlappen.

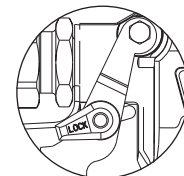
VORSICHT

Für Latexfarben keine Farbverdünnung und keinen Spiritus verwenden, sonst entsteht eine gelatineartige Masse, die sich nur schwer entfernen lässt.

Reinigung des Farbbehälters

Mit den folgenden Schritten Farbe aus dem Farbbehälter einer Behältereinheit entfernen.

- Zum Verriegeln des Spritzpistolenabzugs die Abzugsicherung nach vorn bis zum Anschlag drehen.
- Den Druckreglerknopf nach links auf die kleinste Druckeinstellung drehen.
- Das Vorfüll-/Sprühventil auf PRIME (Vorfüllen) drehen.
- Den Motor ausschalten.
- Die Rücklaufleitung in das Originalfarbgebinde halten.
- Den Motorschalter einschalten.
- Den Druckreglerknopf auf den halben Maximaldruck einstellen. Dadurch wird die restliche Farbe aus dem Farbbehälter von der Pumpe in die Rücklaufleitung und in das Farbgebinde gefördert.
- Den Druckreglerknopf nach links bis zur minimalen Druckeinstellung drehen.
- Die Spritzpistole auslösen, um den Druck zu entspannen und die Spritzpistole zu verriegeln.
- Die Spritzdüse und den Düsenschutz abbauen und in einen Wasserbehälter legen oder in ein geeignetes Lösungsmittel für die Farbe, die verarbeitet werden soll.
- Den Farbbehälter mit Wasser bzw. einem geeigneten Lösungsmittel für die Farbe füllen, die verarbeitet werden soll.
- Die Rücklaufleitung in einen Abfallbehälter halten.
- Den Druck auf den halben Maximaldruck erhöhen. Das Wasser bzw. das Lösungsmittel 2 bis 3 Minuten umpumpen, um die Farbe aus der Pumpe, dem Farbbehälter und der Rücklaufleitung zu spülen.

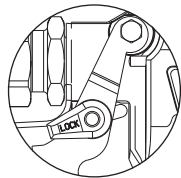


Abzug verriegelt (Spritzpistole sprüht nicht)

Reinigung des Ansaugsatzes

Mit den folgenden Schritten Farbe aus der Ansaugleitung einer Ansauginheit entfernen.

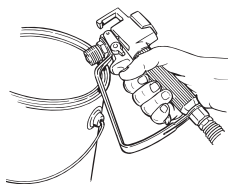
1. Den Druckreglerknopf nach links auf die kleinste Druckeinstellung drehen.
2. Das Vorfüll-/Sprühventil auf PRIME (Vorfüllen) drehen.
3. Den Motor ausschalten.
4. Einige Sekunden warten und dann mit der Spritzpistole in das Farbgebinde sprühen, um den Fluidruck der Pumpe zu entspannen.
5. Zum Verriegeln des Spritzpistolenabzugs die Abzugsicherung nach vorn bis zum Anschlag drehen.
6. Den Ansaugschlauch aus der Farbe nehmen und über einen Wasser- oder Lösungsmittelbehälter halten. Den Rücklaufschlauch im Farbgebinde lassen.
7. Den Motorschalter einschalten.
8. Den Druckreglerknopf auf den halben Maximaldruck einstellen. Dadurch wird die restliche Farbe aus der Ansaugleitung von der Pumpe in die Rücklaufleitung und in das Farbgebinde gefördert.
9. Den Druckreglerknopf nach links auf die kleinste Druckeinstellung drehen.
10. Die angeschlossene Ansaugleitung und den Rücklaufschlauch in einen Behälter mit Wasser oder einem geeigneten Lösungsmittel halten.
11. Die Spritzdüse und den Düsenschutz abbauen und in einen Behälter mit einem geeigneten Lösungsmittel legen.
12. Den Druck auf den halben Maximaldruck erhöhen. Das Wasser bzw. Lösungsmittel 2 bis 3 Minuten zirkulieren lassen, um Farbe aus der Pumpe, der Ansaugleitung und dem Rücklaufschlauch zu spülen.



Abzug verriegelt (Spritzpistole sprüht nicht)

Reinigung des Farbschlauchs

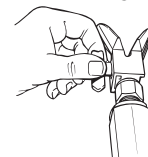
1. Um die Farbe im Schlauch zurückzugewinnen, die Verriegelung des Spritzpistolenabzugs freigegeben und die Spritzpistole bei abgebauter Spritzdüse in das Farbgebinde halten und vorsichtig auslösen.
2. Den Druckreglerknopf nach links bis zur minimalen Druckeinstellung drehen.
3. Das Vorfüll-/Sprühventil auf SPRAY (Sprühen) stellen.
4. Den Druckreglerknopf langsam verdrehen, bis Farbe in den Eimer läuft. Sobald Wasser bzw. Lösungsmittel in den Eimer läuft, den Auslöser freigeben.
5. Auf sauberes Wasser bzw. Lösungsmittel umstellen, die Spritzpistole gegen die Wand eines Abfallbehälters halten und das Wasser bzw. Lösungsmittel weitere 5 Minuten zirkulieren lassen, damit Schlauch, Pumpe und Spritzpistole gründlich gesäubert werden.
6. Den Druckreglerknopf nach links bis zur niedrigsten Einstellung drehen.
7. Das Vorfüll-/Sprühventil auf PRIME (Vorfüllen) drehen.
8. Den Auslöser der Spritzpistole drücken, um eventuell noch im Schlauch vorhandenen Druck abzubauen.
9. Zum Verriegeln des Spritzpistolenabzugs die Abzugsicherung nach vorn bis zum Anschlag drehen.
10. Den Motor ausschalten.
11. Das Farbgebinde verschließen und zur Seite stellen.



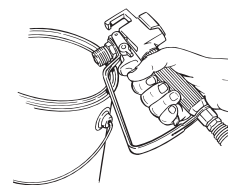
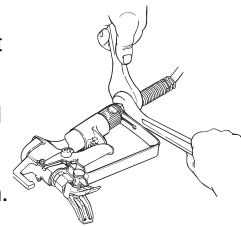
Reinigung der Spritzpistole

1. Die Spritzpistole mit zwei verstellbaren Schraubenschlüsseln vom Farbschlauch lösen.
2. Das Filtergehäuse von der Spritzpistole abbauen. Die Spritzpistole und den Filter in einen Behälter mit Wasser bzw. Lösungsmittel einlegen.
3. Die Spritzdüse und den Spritzpistolenfilter mit einer weichen Bürste reinigen.

4. Spritzpistole und Filter wieder zusammenbauen. Die Spritzdüse in Reinigungsposition montieren, der Pfeil muss dabei zur Spritzpistolenrückseite zeigen.



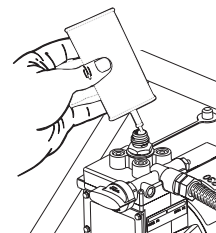
5. Den Farbschlauch an die Spritzpistole anschließen. Dazu mit einem Schraubenschlüssel den Farbschlauch festhalten und mit einem zweiten Schraubenschlüssel die Spritzpistole festziehen.
6. Den Motorschalter einschalten.
7. Den Spritzpistolenauslöser entriegeln. Dazu die Verriegelung so drehen, dass sie parallel zum Griff der Spritzpistole steht.
8. Das Vorfüll-/Sprühventil auf SPRAY (Sprühen) einstellen und die Spritzpistole gegen die Wand des Abfallbehälters halten.
9. Die Spritzpistole auslösen und am Druckreglerknopf den Druck durch Drehung nach rechts auf halben Maximaldruck einstellen. Die Spritzpistole etwa 30 Sekunden lang auslösen.
10. Den Druckreglerknopf nach links bis zur niedrigsten Einstellung drehen.
11. Das Vorfüll-/Sprühventil auf PRIME (Vorfüllen) drehen.
12. Den Auslöser der Spritzpistole drücken, um eventuell noch im Schlauch vorhandenen Druck abzubauen.
13. Zum Verriegeln des Spritzpistolenabzugs die Abzugsicherung nach vorn bis zum Anschlag drehen.
14. Den Motor ausschalten.



Abschließende Reinigung

1. Die Spritzdüse entfernen.
2. Den Motor einschalten.
3. Das Vorfüll-/Sprühventil auf SPRAY (Sprühen) stellen.
4. Den Druckreglerknopf durch Drehung nach rechts auf halbe Maximalleistung einstellen.
5. Die Spritzpistole in einem Reinigungsbehälter auslösen, bis Farbbehälter bzw. Lösungsmittelbehälter leer sind.
6. Den Farbbehälter bzw. Lösungsmittelbehälter neu füllen und das System weiter spülen, bis die Lösung, die aus der Spritzpistole austritt, sauber ist.
7. Die Spritzpistole verriegeln und den Druckreglerknopf nach links bis zur niedrigsten Einstellung drehen.
8. Das Vorfüll-/Sprühventil auf PRIME (Vorfüllen) drehen.
9. Den Farbbehälter bzw. den Ansaugsatz aus dem Einlassventil entfernen.
10. Das Gewinde des Einlassventils mit einem feuchten Tuch reinigen.
11. Das Einlassventil mit einem leichten Haushaltöl füllen.
12. Das Vorfüll-/Sprühventil auf SPRAY (Sprühen) stellen, um das Öl zu verteilen.

HINWEIS: Die korrekte Reinigung und Schmierung der Pumpe nach dem Einsatz ist der wichtigste Schritt zur Sicherstellung einer einwandfreien Funktion auch nach Nichtnutzung.



13. Den Druckreglerknopf nach links bis zur niedrigsten Einstellung drehen.
14. Das Vorfüll-/Sprühventil auf PRIME (Vorfüllen) drehen.

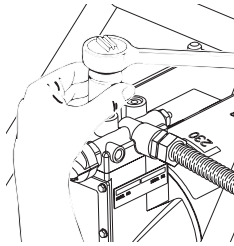
15. Den Auslöser der Spritzpistole drücken, um eventuell noch im Schlauch vorhandenen Druck abzubauen.
16. Zum Verriegeln des Spritzpistolenabzugs die Abzugsicherung nach vorn bis zum Anschlag drehen.
17. Den Motor ausschalten.
18. Den Farbbehälter abbauen und in sauberem Wasser oder einem geeigneten Lösungsmittel reinigen. Eine weiche Bürste verwenden.
19. Den Filter des Farbbehälters wieder im Farbbehälter einbauen.
20. Den Farbbehälter bzw. Ansaugsatz am Einlassventil austauschen.
21. Das gesamte Gerät, den Schlauch und die Spritzpistole mit einem feuchten Tuch abwischen, um Farblagerungen zu entfernen.

Wartung

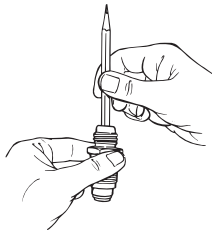
Bei Problemen die Schritte im Kapitel „Fehlersuche und -behebung“ ausführen.

Ausbau und Reinigung der Einlassventile

1. Die Druckentlastung durchführen, das Gerät ausschalten und den Stecker aus der Steckdose ziehen.
2. Das Einlassventil mit einem 27-mm-Steckschlüssel oder Ringschlüssel ausbauen.



3. Die Funktion des Ventils prüfen. Dazu mit einem Schraubendreher oder dem stumpfen Ende eines Bleistifts von der offenen Seite des Ventilgehäuses aus auf das Ventil drücken. Das Ventil muss sich etwa 0,15 mm (1/16 Zoll) bewegen. Wenn es sich nicht bewegt, muss es ausgetauscht oder gereinigt werden.



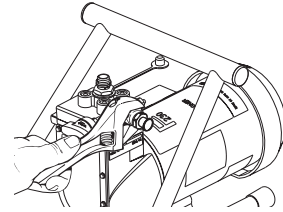
HINWEIS: Das Einlassventil muss nach jedem Einsatz geölt werden. Dadurch werden beim späteren erneuten Einsatz des Spritzgeräts Probleme beim Vorfüllen vermindert oder vermieden.

4. Das komplette Ventil gründlich mit Wasser bzw. einem geeigneten Lösungsmittel reinigen. Eine kleine Bürste verwenden.
5. Wenn das Ventil ordnungsgemäß gereinigt wurde und Wasser am Boden herauftropft, ist das Ventil verschlissen und muss ausgetauscht werden. Aus einem Ventil, dessen Ventilsitz nicht verschlissen ist, tropft kein Wasser heraus, wenn es vertikal gehalten wird.
6. Ein neues oder gereinigtes Ventil in den Pumpenblock einbauen und dann das Ventil mit Leichtöl oder Lösungsmittel füllen.

Ausbau und Reinigung des Auslassventils

Es kann erforderlich sein, das Auslassventil auszubauen und zu reinigen oder Teile im Ventil auszutauschen, die dem normalen Verschleiß unterliegen.

1. Das Auslassventilgehäuse mit einem Schraubenschlüssel lösen.



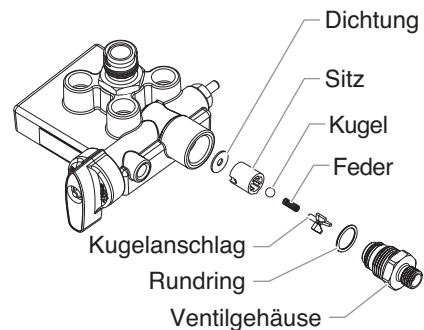
2. Den Anschlag für die Ventilkugel ausbauen und reinigen, ebenso die kleine Feder im Ventil. Dazu eine Pinzette oder einen Drahthaken verwenden. Die Feder austauschen, wenn sie verschlissen oder gebrochen ist.

HINWEIS: Diese Feder wird mit einer spezifischen Federspannung hergestellt. Keine nicht genehmigten Ersatzfedern verwenden. Die korrekte Teilenummer finden Sie in der Tabelle der Farbpumpenteile.

3. Ventilsitz und Ventilkugel ausbauen.
4. Alle Teile gründlich reinigen. Wenn die Ventilkugel bzw. der Ventilsitz Schäden oder Verschleiß aufweisen, diese durch neue Teile ersetzen. Diese Karbidkugel muss fest auf dem Ventilsitz sitzen, damit eine einwandfreie Funktion gewährleistet ist.
5. Vor dem erneuten Zusammenbau alle Teile leicht einölen.

HINWEIS: Beim Zusammenbau die Kante des Ventilsitzes auf die Nut im Pumpengehäuse ausrichten.

6. Die Ventilkugel hineinfallen lassen.
7. Den Kugelanschlag und die Feder einsetzen und das Ventilgehäuse austauschen. Der Rundring muss richtig sitzen und die Zunge des Deckels in die Feder eingreifen.
8. Den Ventilkörper sicher mit einem verstellbaren Schraubenschlüssel festziehen. Nicht zu fest anziehen.



Reinigung des Siebs für den Farbbehälter

Das Sieb am Boden des Farbbehälters muss regelmäßig gereinigt werden. Den Zustand jedesmal kontrollieren, wenn Farbe aufgefüllt wird. Das Sieb mit einer Zange aus dem Farbbehälter ziehen. Das Sieb mit Wasser oder Lösungsmittel und einer weichen Bürste reinigen.



Fehlersuche und -behebung

Problem

Das Spritzgerät schaltet sich nicht ein.

Ursache

1. Das Spritzgerät ist nicht mit einer Steckdose verbunden.
2. Der Schalter steht in Stellung OFF (aus).
3. Keine oder zu niedrige Spannung an der Steckdose
4. Das Spritzgerät wurde ausgeschaltet, während es noch unter Druck stand.
5. Die Verlängerungsschnur ist beschädigt oder hat einen zu geringen Drahtquerschnitt.
6. Der thermische Überlastschutz für das Spritzgerät wurde ausgelöst.
7. Problem mit dem Elektromotor

Abhilfe

1. Das Spritzgerät mit einer Steckdose verbinden.
2. Den Motorschalter in Stellung ON (Ein) bringen.
3. Die Netzspannung überprüfen.
4. Das Vorfüll-/Sprühventil auf PRIME (Vorfüllen) drehen.
5. Die Verlängerungsschnur austauschen.
6. Den Motor abkühlen lassen und das Spritzgerät an einen kühleren Ort bringen.
7. Das Spritzgerät in eine Vertragswerkstatt von Wagner bringen.

Das Spritzgerät schaltet sich ein, saugt aber keine Farbe an, wenn das Vorfüll-/Sprühventil auf PRIME (Vorfüllen) gestellt wird.

1. Das Gerät füllt sich nicht oder nicht mehr ordnungsgemäß.
2. Der Farbbehälter ist leer.
3. Der Filter für den Farbbehälter ist verstopft.
4. Das Einlassventil klemmt.
5. Das Auslassventil klemmt.
6. Das Vorfüll-/Sprühventil klemmt.
7. Das Einlassventil ist verschlissen oder beschädigt.
8. Die Pumpenmembran ist defekt.
9. Der Hydraulikölstand ist zu niedrig oder kein Hydrauliköl vorhanden.

1. Das Gerät versuchsweise erneut vorfüllen.
2. Den Farbbehälter mit Farbe füllen.
3. Den Filter des Farbbehälters reinigen.
4. Das Einlassventil reinigen.
5. Das Auslassventil reinigen und verschlissene Teile ersetzen.
6. Das Spritzgerät in eine Vertragswerkstatt von Wagner bringen.
7. Das Einlassventil austauschen.
8. Das Spritzgerät in eine Vertragswerkstatt von Wagner bringen.
9. Das Spritzgerät in eine Vertragswerkstatt von Wagner bringen.

Das Spritzgerät saugt Farbe an, aber der Druck sackt ab, sobald die Spritzpistole ausgelöst wird.

1. Die Spritzdüse ist verschlissen.
2. Der Filter des Farbbehälters ist verstopft.
3. Die Spritzpistole bzw. der Filter der Spritzdüse ist zugesetzt.
4. Die Farbe ist zu schwer oder zu dickflüssig.
5. Das Auslassventil ist verschmutzt oder verschlissen.
6. Das Einlassventil ist verschlissen oder beschädigt.

1. Die Spritzdüse durch eine neue Düse ersetzen.
2. Den Filter des Farbbehälters reinigen.
3. Den entsprechenden Filter reinigen oder austauschen. Stets zusätzliche Filter bereithalten.
4. Die Farbe verdünnen oder filtern.
5. Das Auslassventil reinigen oder austauschen.
6. Das Einlassventil austauschen.

Das Spritzgerät schließt nicht.

1. Die Ventilkugel bzw. der Sitz der Ventilkugel am Einlass- oder Auslassventil ist verschlissen.
2. Fremdkörper oder Farbe hat sich zwischen Ventilkugel und Ventilsitz gesetzt.

1. Das Spritzgerät in eine Vertragswerkstatt von Wagner bringen.
2. Das Spritzgerät in eine Vertragswerkstatt von Wagner bringen.

Die Spritzpistole tropft.

1. Interne Teile der Spritzpistole sind verschlissen oder verschmutzt.

1. Das Spritzgerät in eine Vertragswerkstatt von Wagner bringen.

Die Spritzdüse tropft.

1. Die Spritzdüse wurde falsch montiert.
2. Eine Dichtung ist verschlissen.

1. Die Montage der Spritzdüse kontrollieren, gegebenenfalls korrigieren.
2. Die Dichtung austauschen.

Die Spritzpistole sprüht nicht.

1. Die Spritzdüse, der Spritzpistolenfilter oder der Düsenfilter sind zugesetzt.
2. Die Spritzdüse steht in Reinigungsposition.

1. Die Spritzdüse, den Spritzpistolenfilter bzw. den Düsenfilter reinigen.
2. Die Düse in Position SPRAY (Sprühen) stellen.

Das Farbmuster weist Streifen auf.

1. Der Druck ist zu niedrig eingestellt.
2. Die Spritzpistole, die Spritzdüse oder der Filter des Farbbehälters sind zugesetzt.
3. Die Spritzdüse ist verschlissen.
4. Die Farbe ist zu dick.

1. Den Druck erhöhen.
2. Die Filter reinigen.
3. Die Spritzdüse austauschen.
4. Die Farbe verdünnen.

Der thermische Überlastschutz wurde ausgelöst und das Spritzgerät abgeschaltet.

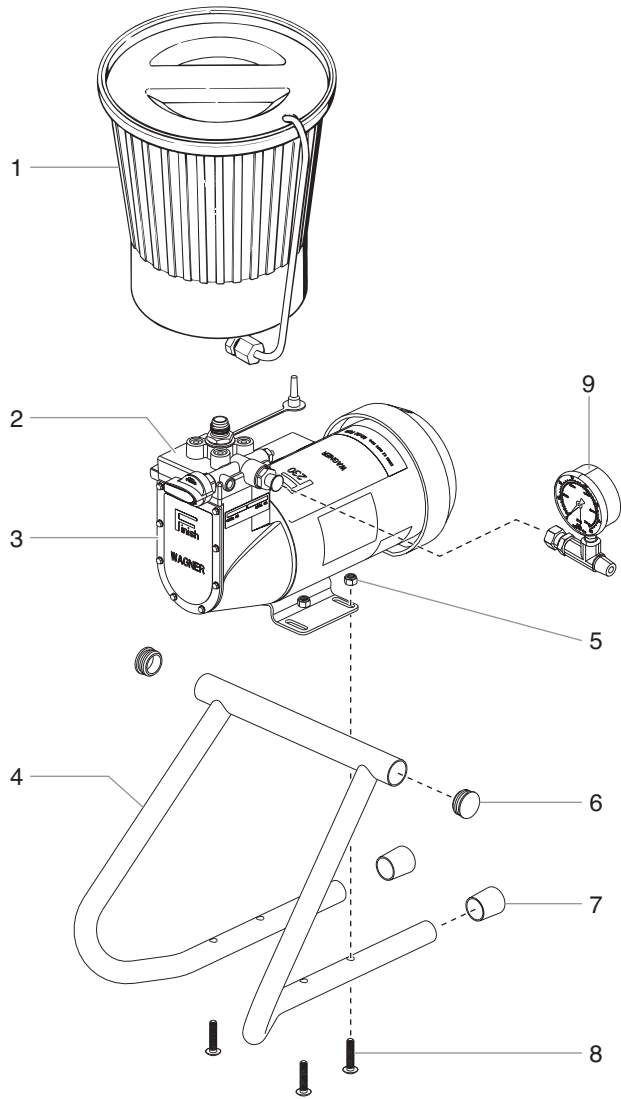
1. Der Motor ist überhitzt.
2. Die Verlängerungsschnur ist zu lang oder ihr Drahtquerschnitt zu klein.
3. Es hat sich Farbe auf dem Motor abgelagert.
4. Der Motor wurde eingeschaltet, als die Spritzpistole noch unter Druck stand.
5. Das Spritzgerät stand in der heißen Sonne.

1. 30 Minuten abkühlen lassen.
2. 30 Minuten abkühlen lassen und die Verlängerungsschnur durch eine kürzere Verlängerungsschnur oder eine Verlängerungsschnur mit größerem Drahtquerschnitt ersetzen.
3. Die Farbe vom Motor entfernen.
4. Das Spritzgerät im Vorfüllmodus neu einschalten.
5. Das Spritzgerät in den Schatten bringen.

HINWEIS: Wenn das Vorfüll-/Sprühventil in Stellung SPRAY (Sprühen) steht und Farbe aus der Rücklaufleitung austritt, das Vorfüll-/Sprühventil ausbauen und reinigen oder ersetzen.

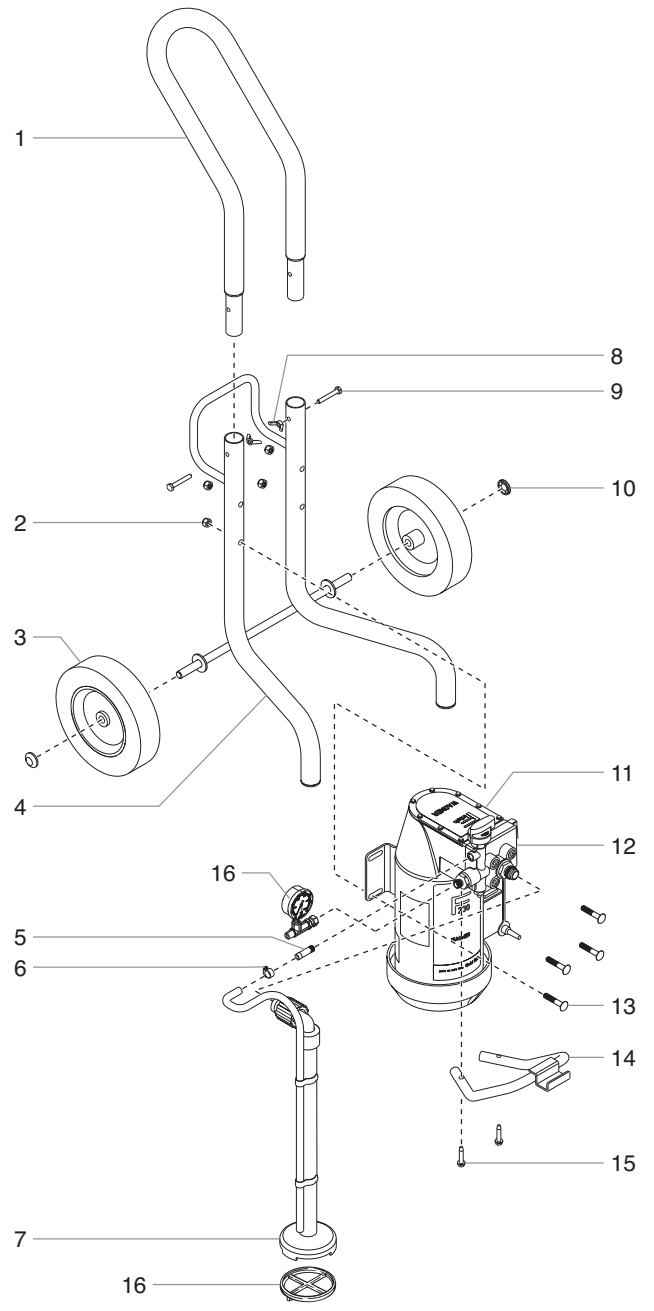
HINWEIS: Der Elektromotor muss stets sauber und trocken sein. Farbe wirkt als Isolator. Zu viel Farbe auf dem Motor führt zu einer Überhitzung des Motors.

Teileliste Hauptbaugruppe – Behälterereinheit



Teil	Teile-Nr.	Bezeichnung	Menge
1	0288144	Farbbehälter, komplett	1
2	-----	Pumpenkopf, komplett	1
3	0281118	Membranpumpe, 220–240 V~	1
	0311200	Membranpumpe, 100–120 V~	1
4	0278310	Ständer	1
5	9811122	Sicherungsmutter	4
6	0294635	Verschlusschraube	2
7	0270343	Rohrkappe	2
8	9805213	Trägerschraube	4
9	0508239	Manometer (falls vorhanden)	1

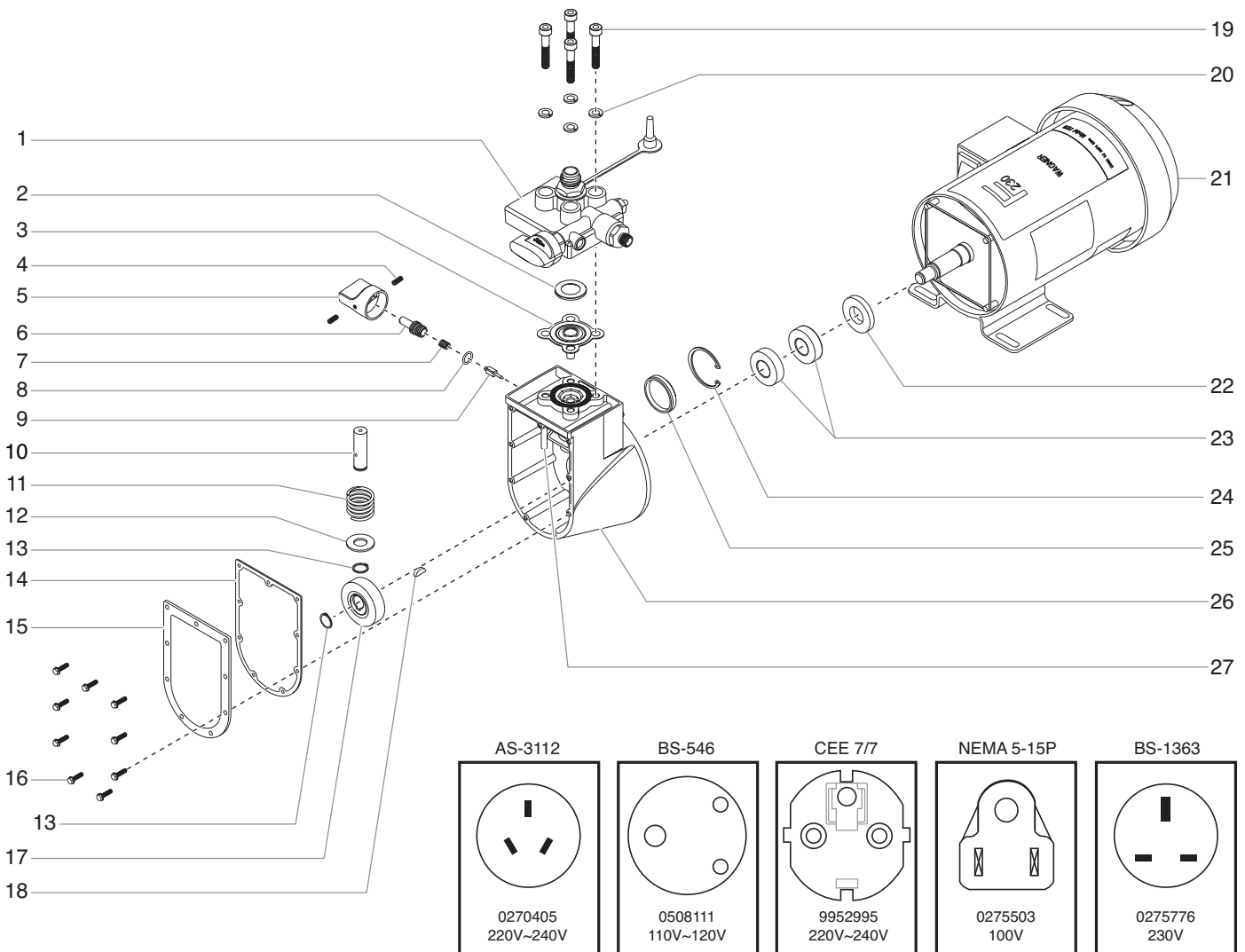
Hauptbaugruppe – Ansaugereinheit



Teil	Teile-Nr.	Bezeichnung	Menge
1	0508251	Griff	1
2	9811122	Sicherungsmutter	4
3	0512396	Rad	2
4	0508255	Rahmen	1
5	0088715	Verschraubung des Rücklaufschlauchs	1
6	0327226	Klemme des Rücklaufschlauchs	1
7	0278147	Ansaugsatz, komplett (mit Teil 16)	1
8	9810111	Flügelmutter	2
9	9800108	Schraube	2
10	9810113	Achsdeckel	2
11	0555126	Membranpumpe, 220–240 V~	1
	0311200	Membranpumpe, 100–120 V	1
12	-----	Pumpenkopf, komplett	1
13	9802533	Trägerschraube	4
14	0278364	Eimerhaken	1
15	9802519	Schraube	2
16	0270369	Filter	1
17	0508239	Manometer (falls vorhanden)	1

Membranpumpe

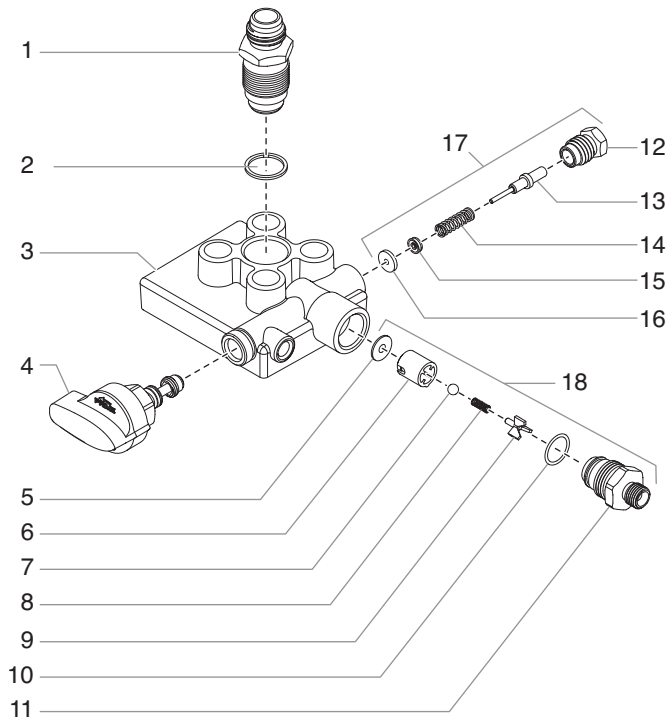
(P/N 0555126 / 220–240 V~ bzw. P/N 0311200 / 100–120 V~)



Teil	Teile-Nr.	Bezeichnung	Menge
1	0311215	Pumpenkopf.....	1
2	0270494	Membranring.....	1
3	0270201	Membran.....	1
4	9801109	Einstellschraube	2
5	0288775	Druckreglerknopf	1
6	0270529	Ventilstößel	1
7	0047373	Druckregelfeder	1
8	0089518	Rundring	1
9	0089475	Drucknadelventil	1
10	0278345	Hydraulischer Kolben.....	1
11	0005311	Kolbenfeder	1
12	0270550	Kolbenscheibe	1
13	0047393	Sicherungsring.....	2
14	0278359	Dichtung.....	1
15	0278341	Deckel des Hydraulikbehälters	1
16	9800049	Schraube	9

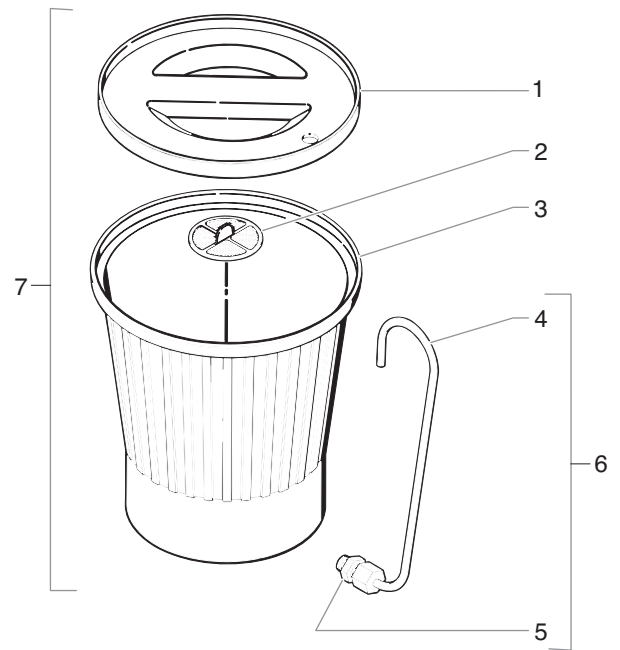
Teil	Teile-Nr.	Bezeichnung	Menge
17	0090031	Exzentrische Hülse und Lager, komplett	1
18	0089829	Wellenkeil	1
19	9900355	Inbusschraube (Drehkraft bis 20.3 Nm)	4
20	9921601	Sicherungsscheibe	4
21	0508295	Motor, 220–240 V~, Ansaugsatz (mit Teil 28 und 29)	1
	0281117	Motor, 220–240 V~, Trichteraufbau (mit Teil 28 und 29)	1
	0278469	Motor, 100–120 V~ (mit Teil 28 und 29)	1
22	0270524	Dichtung.....	1
23	0270490	Kugellager.....	2
24	0311400	Sprengring	1
25	9870117	Verschlusschraubendichtung	1
26	0278238	Hydraulikgehäuse (mit den Teilen 22–25)	1
27	0278387	Ölansaugleitung	1
28	0270462	Gebläse (nicht dargestellt).....	1
29	0270612	Gebläsedeckel (nicht dargestellt)	1
	-----	Netzleitung (nicht dargestellt, siehe oben)....	1

Pumpenkopfbaugruppe



Teil	Teile-Nr.	Bezeichnung	Menge
1	0278242	Einlassventil, komplett (mit Teil 2)	1
2	0089482	Dichtscheibe, Nylon	1
3	0278334	Farbpumpe	1
4	0555901	Vorfüll-/Sprühventil, komplett	1
5	0278362	Auslassdichtung	1
6	0278241	Ventilkugelsitz	1
7	0093635	Kugel	1
8	0047485	Auslassfeder	1
9	0278361	Kugelführung	1
10	9871114	Rundring	1
11	0278335	Auslassverschraubung	1
12	0278337	Druckstück	1
13	0278250	Druckstößel, komplett	1
14	0278368	Druckfeder	1
15	0156646	Dichtung	1
16	0278340	Druckscheibe	1
17	0508199	Ausstossbaugruppe (mit Teil 12 bis 16)	1
18	0508198	Auslassventil (mit Teil 5 bis 11)	1

Farbbehälterbaugruppe



Teil	Teile-Nr.	Bezeichnung	Menge
1	0279591	Farbbehälterdeckel	1
2	0089917	Filtersieb, fein (dargestellt)	1
3	0088871	Filtersieb, grob	1
4	0524443	Farbbehälter	1
5	0093865	Rücklaufleitung	1
6	0403309	Verschraubung	1
7	0090560	Rücklaufleitung, komplett (mit Teil 4 und 5)	1
	0288144	Farbbehälter, komplett (mit Teil 1 bis 6)	1

Table des matières

Consignes de sécurité	26
Description générale	28
Caractéristiques	28
Préparation de l'étape peinture	28
Amorçage	29
Préparation à l'amorçage	29
Assemblage de la trémie de peinture	29
Assemblage du groupe d'aspiration	29
Amorçage de la pompe	29
Procédure de déchargement de pression	30
Pulvérisation	30
Nettoyage	31
Entretien	33
Dépannage	34
Liste de pièces	35
Ensemble principal - Trémie	35
Ensemble principal – Groupe d'aspiration	35
Pompe à membrane	36
Ensemble tête de pompe	37
Trémie	37

Consignes de sécurité

Veillez lire et être sûr de comprendre toutes les informations contenues dans ce manuel avant d'utiliser l'appareil. Lorsque vous pénétrez dans une zone qui contient les symboles suivants, soyez particulièrement vigilant et vérifiez que les systèmes de sécurité sont bien installés.



Ce symbole indique un risque potentiel pouvant entraîner des blessures graves ou même mortelles. Vous trouverez ci-après d'importantes consignes de sécurité.



Ce symbole indique un risque potentiel pour vous ou pour l'appareil. D'importantes informations sur la manière d'éviter tout dommage de l'équipement ou d'éviter des blessures légères sont indiquées ci-après.

NOTA: les notes contiennent des informations qui doivent être consciencieusement respectées.



Cet appareil est fourni avec un interrupteur thermique à réenclenchement automatique. En cas de surtension, l'interrupteur thermique à réenclenchement automatique coupe l'alimentation électrique du moteur.

- Le moteur redémarrera sans avertissement lorsque l'interrupteur se réenclenchera automatiquement.
- Toujours débrancher le moteur de l'alimentation électrique avant d'intervenir sur l'appareil.
- Lorsque l'interrupteur thermique à réenclenchement automatique coupe l'alimentation électrique du moteur, lâcher la pression en tournant la soupape d'amorçage sur la position AMORÇAGE.
- Positionner l'interrupteur ON/OFF sur OFF.



RISQUE : Blessure par projection – Un courant de liquide à haute pression produit par cet équipement peut percer la peau et les tissus sous-cutanés, et entraîner des blessures graves ou une amputation.



N'ESSAYEZ PAS DE TRAITER UNE BLESSURE PAR PROJECTION COMME UNE SIMPLE COUPURE ! Les blessures par projection peuvent entraîner une amputation. Consultez immédiatement un médecin.

La pression de liquide maximale de fonctionnement du pistolet est de 20.7 Mpa / 3000 PSI.

PRÉVENTION :

- NE dirigez JAMAIS le pistolet vers une partie du corps, quelle qu'elle soit.
- NE laissez JAMAIS une partie du corps entrer en contact avec le flux de liquide. NE laissez JAMAIS votre corps au contact d'une fuite dans le tuyau de liquide.
- NE placez JAMAIS vos mains devant le pistolet. Les gants ne constituent pas un rempart suffisant contre les blessures par projection.
- Bloquez TOUJOURS la gâchette du pistolet, éteignez la pompe et vidangez toute la pression avant toute opération d'entretien, avant de nettoyer une buse ou une protection, avant de changer une buse ou si vous laissez l'appareil sans surveillance. La pression ne s'évacue pas simplement en éteignant le moteur. La vanne d'AMORÇAGE / VAPORISATION ou la vanne de décharge de la pression doivent être placées dans les positions souhaitées pour vidanger la pression. Consultez la PROCÉDURE DE DECHARGE DE PRESSION décrite dans ce manuel.
- Conservez TOUJOURS la protection de la buse en place lorsque vous pulvérisez. La protection de la buse fournit une certaine protection mais il s'agit principalement d'un système d'alarme.
- Enlevez TOUJOURS la buse de pulvérisation avant de rincer ou de nettoyer le système.
- Le tuyau de peinture peut présenter des fuites dues à l'usure, aux pincements et aux mauvaises utilisations. Toute fuite peut entraîner une projection de matériau dans la peau. Vérifiez soigneusement le tuyau avant chaque utilisation.
- N'utilisez JAMAIS un pistolet pulvérisateur sans blocage de gâchette et sans protection de gâchette.
- Tous les accessoires doivent pouvoir travailler à la pression de travail maximale du pulvérisateur ou au-dessus. Ceci concerne les buses de pulvérisation, les pistolets, les rallonges et le tuyau.

REMARQUE POUR LE MÉDECIN :

Les projections de peinture dans la peau entraînent des blessures graves. Il est important de traiter la blessure aussi tôt que possible. NE retardez PAS le traitement pour rechercher la toxicité. La toxicité est importante lorsque des enduits sont directement injectés dans le sang. Il peut être recommandé de consulter un chirurgien plasticien ou un spécialiste de la chirurgie reconstructrice de la main.

RISQUE : EXPLOSION et INCENDIE – Les émanations de solvants et de peintures peuvent exploser ou s'enflammer. Elles peuvent entraîner des blessures graves et/ou des dégâts matériels.

PRÉVENTION :

- Prévoyez un système puissant d'échappement et d'aération dans la zone de pulvérisation afin d'éviter l'accumulation de vapeurs inflammables.
- Évitez toutes sources d'ignition telles que les étincelles d'électricité statique, les appareils électriques, les flammes, les témoins lumineux, les objets chauds et les étincelles lors du branchement et débranchement de fils électriques ou lors du fonctionnement d'interrupteurs.
- Ne fumez pas dans la zone de pulvérisation.
- Prévoyez un extincteur en bon état de marche dans la zone.

- Placez le vaporisateur à au moins 6,1 m de l'objet à pulvériser dans une surface bien ventilée (ajoutez une rallonge de tuyau au besoin). Les vapeurs inflammables sont souvent plus lourdes que l'air. La surface au sol doit être extrêmement bien ventilée. La pompe contient des parties de formation d'arc qui émettent des étincelles et peuvent enflammer les vapeurs.
- Les équipements et objets contenus dans et autour de la zone de pulvérisation doivent être correctement reliés à la masse pour prévenir les étincelles d'électricité statique.
- N'utilisez qu'un tuyau de liquide à haute pression conducteur ou relié à la masse. Le pistolet doit être relié à la masse par les raccords du tuyau.
- Le fil électrique doit être relié à un circuit relié à la masse (Modèles électriques uniquement).
- Rincez toujours l'appareil dans un conteneur métallique isolé, avec une pression de pompe faible, et une fois la buse de pulvérisation démontée. Maintenez fermement le pistolet contre le côté du conteneur pour relier le conteneur à la masse et empêcher la formation d'étincelles d'électricité statique.
- Suivez attentivement les avertissements et consignes du fabricant du matériau et du solvant.
- L'appareil doit être relié à la terre. Utilisez le fil de mise à la terre vert pour brancher l'appareil sur un tuyau à eau, une poutre en acier ou toute autre surface mise à la terre.
- N'utilisez pas de matériaux dont le point d'éclair est inférieur à 21 °C (70 °F). Le point d'éclair correspond à la température à laquelle un liquide produit suffisamment de vapeurs pour s'enflammer.
- Le plastique peut entraîner la formation d'étincelles statiques. N'installez jamais de parois en plastique pour fermer la zone de vaporisation. N'utilisez pas de chiffon en plastique lorsque vous pulvérisiez des matériaux inflammables.
- Utilisez la pression la plus basse possible pour rincer l'équipement.

MOTEUR À ESSENCE (SI CONCERNÉ)

Placez toujours le vaporisateur hors de la structure, à l'air libre. Conservez tous les solvants à l'écart de l'échappement du moteur. Ne remplissez jamais le réservoir à essence lorsque le moteur est chaud ou en marche. Les surfaces chaudes peuvent enflammer l'essence déversée. Reliez toujours le fil de mise à la masse de la pompe à un objet relié à la masse. Consultez le manuel d'utilisateur du moteur pour plus d'informations concernant la sécurité.

RISQUE : RISQUE D'EXPLOSION DÙ À DES MATÉRIAUX INCOMPATIBLES – entraîne des blessures graves ou des dégâts matériels.

PRÉVENTION :

- N'utilisez pas de matériaux contenant de l'eau de javel ou du chlore.
- N'utilisez pas de solvants de halons tels que le chlorure de méthylène ou le trichloroéthane 1,1,1. Ils ne sont pas compatibles avec l'aluminium et peuvent provoquer une explosion. Si vous n'êtes pas sûr de la compatibilité du matériau avec l'aluminium, prenez contact avec votre fournisseur de peinture.

RISQUE : VAPEURS DANGEREUSES – Les peintures, solvants, insecticides et autres matériaux peuvent être nocifs en cas d'inhalation ou de contact avec la peau. Les vapeurs peuvent entraîner de sérieuses nausées, des syncopes ou des empoisonnements.

PRÉVENTION :

- Utilisez un système de respiration ou un masque s'il existe un risque d'inhalation de vapeurs. Lisez attentivement toutes les instructions fournies avec le masque pour vous assurer qu'il fournit bien la protection nécessaire.
- Portez des protections oculaires.
- Portez des vêtements de protection selon les indications du fabricant de l'enduit.

RISQUE : GÉNÉRALITÉS – peut entraîner des blessures sévères ou des dégâts matériels.

PRÉVENTION :

- Lisez attentivement toutes les instructions et les consignes de sécurité avant de faire fonctionner l'équipement.
- Respectez toutes les réglementations locales et nationales concernant la ventilation, la prévention des incendies et le fonctionnement.
- Lorsque vous appuyez sur la détente, il se produit un mouvement de recul de la main qui tient le pistolet pulvérisateur. Le recul du pistolet pulvérisateur est particulièrement puissant lorsque la buse a été démontée et lorsque la pompe sans air a été réglée sur une pression élevée. Lors du nettoyage sans buse, réglez donc le bouton de contrôle de la pression sur la pression minimale.
- N'utilisez que des pièces de rechange d'origine. L'utilisateur assume tous les risques s'il utilise des pièces qui ne correspondent pas aux spécifications minimales et aux dispositifs de sécurité du fabricant de la pompe.
- Avant chaque utilisation, vérifiez que les tuyaux ne présentent ni coupures, ni fuites, ni signes d'abrasion ou de renflement du revêtement. Vérifiez l'état et le mouvement des raccords. Remplacez immédiatement les tuyaux s'ils sont en mauvais état. Ne réparez jamais un tuyau de peinture. Remplacez-le par un tuyau à haute pression relié à la masse.
- Respectez TOUJOURS les consignes du fabricant du matériau pour manipuler la peinture et les solvants en toute sécurité.
- N'utilisez pas cet appareil dans des ateliers couverts, conformément aux réglementations pour la prévention des incendies.
- Nettoyez immédiatement toute matière déversée.
- Débranchez toujours le fil électrique du réseau avant de travailler sur un appareil (appareils électriques uniquement).
- Munissez-vous d'une protection auditive. Le bruit émis par cet appareil peut dépasser les 85 dB(A).
- Ne laissez jamais cet outil sans surveillance. Tenez-le hors de portée des enfants ou des personnes non familiarisées avec le fonctionnement des équipements sans air.
- Ne vaporisez pas à l'extérieur en cas de vent.

Consignes de mise à la terre

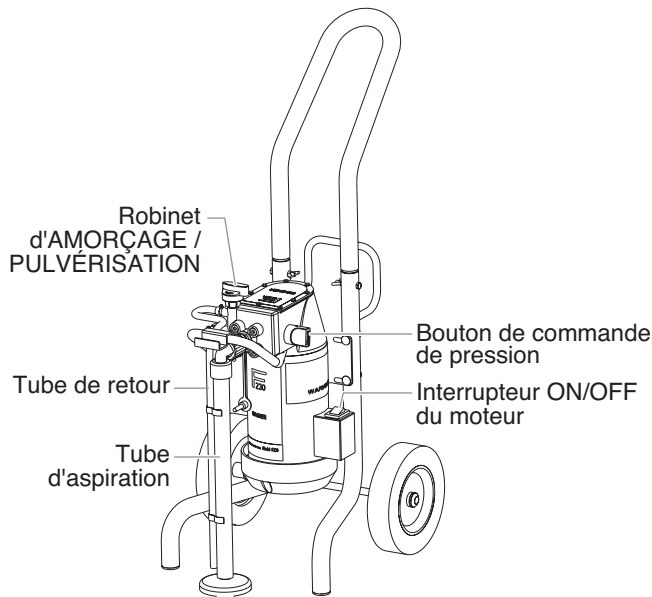
Les modèles électriques doivent être reliés à la terre. En cas de court-circuit électrique, la mise à la terre réduit les risques de choc électrique en fournissant un fil d'échappement pour le courant électrique. Ce produit est équipé d'un câble avec un fil de mise à la terre et une fiche de mise à la terre adaptée. La prise doit être branchée dans un orifice correctement installé et relié à la terre, conformément aux réglementations et lois locales en vigueur.

DANGER – Une installation incorrecte de la fiche de mise à la terre peut entraîner un risque de choc électrique. Si vous devez réparer ou remplacer le câble ou la fiche d'alimentation, ne branchez pas un fil de mise à la terre vert à une borne à lame plate. Le fil isolé avec une surface extérieure verte à bandes jaunes ou non est le fil de mise à la terre et doit être branché sur la fiche de mise à la terre.

Vérifiez avec un électricien qualifié ou un agent d'entretien si vous n'avez pas totalement compris les instructions de mise à la terre ou si vous avez un doute concernant le branchement de l'appareil à la terre. Ne modifiez pas la prise fournie. Si la fiche d'alimentation n'entre pas dans la prise murale, faites installer une prise murale par un électricien qualifié.

Description générale

Ce pulvérisateur sous vide à hautes performances est un outil électrique de précision utilisé pour pulvériser de nombreux types de peintures. Lisez ce manuel et respectez-en les instructions d'utilisation et de maintenance ainsi que l'information relative à la sécurité.



Caractéristiques

Poids :

Trémie17 kg (37 lbs.)

Groupe d'aspiration20 kg (44 lbs.)

CapacitéJusqu'à 1,25 litre (0,35 gallons) par minute

Source d'énergieMoteur électrique, entièrement protégé, refroidi par ventilateur

Tension220–240 V CA, 50/60 Hz, 6,2 A ou 100–120 V CA, 50/60 Hz, 11,0 A

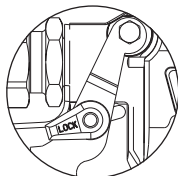
Pression de pulvérisation...Jusqu'à 20,7 MPa (3000 PSI)

CapacitéPulvérise diverses peintures à base d'huile et au latex, les peintures de fond et les teintures

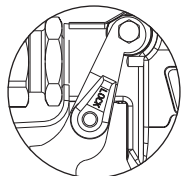
Préparation de l'étape peinture

Fixation de l'embout sur le pistolet

1. Bloquez la détente en tournant le verrou de la détente à fond vers l'avant.



Détente bloquée
(le pistolet ne pulvérise pas)



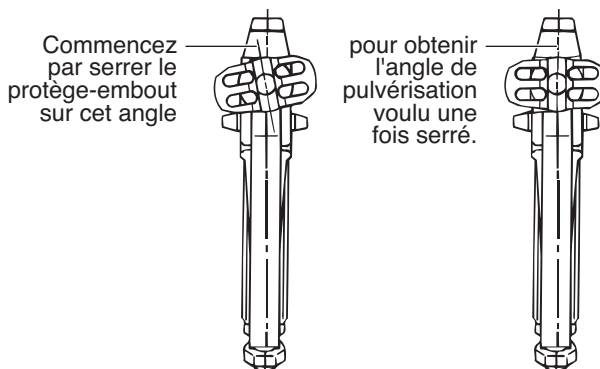
Détente débloquée
(le pistolet pulvérise)

AVERTISSEMENT

POSSIBLE RISQUE D'INJECTION. Ne pulvérisez pas sans que le protège-embout ne soit installé. N'appuyez jamais sur la détente du pistolet si l'embout n'est pas sur la position de pulvérisation ou de débouchage. Verrouillez toujours la détente du pistolet avant d'enlever, de changer ou de nettoyer l'embout.

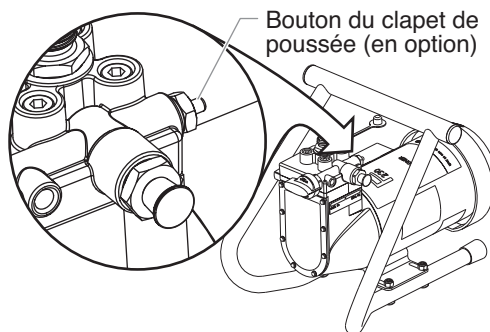
2. Vissez le protège-embout sur le pistolet. Serrez d'abord l'écrou à la main puis serrez plus fortement avec une clé.

NOTA: Quand vous fixez le protège-embout sur le pistolet, alignez-le comme indiqué sur la figure ci-dessous, puis serrez avec une clé.



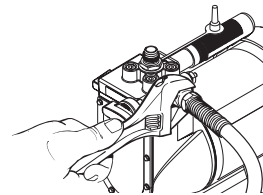
Vérification du robinet de sortie (en option)

1. Appuyez fortement sur le bouton du clapet de poussée, fourni en option, placé sur le côté du logement de la pompe, pour vous assurer que le robinet à bille de sortie bouge sans problème.

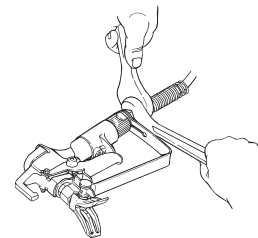


Assemblage du flexible de peinture

1. Fixez le flexible à haute pression sur le pulvérisateur de peinture. Utilisez une clé pour bien serrer le flexible de peinture.



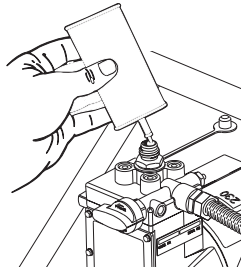
2. Fixez le pistolet de pulvérisation à l'autre extrémité du flexible à haute pression. Serrez fermement le tuyau sur le pistolet en utilisant deux clés.
3. Branchez le pulvérisateur à une prise correctement reliée à la terre ou à une rallonge pour service intensif reliée à la terre. N'utilisez pas plus de 100 pieds (3 m) de cordon. Si vous devez pulvériser loin d'une source d'électricité, utilisez un flexible de peinture plus long et non pas des rallonges plus longues. Utilisez une rallonge d'un calibre minimum de 16 pour une longueur maximum de 50 pieds (1,5 m) ou d'un calibre de 12 à 14 pour des rallonges de longueur comprise entre 50 et 100 pieds (1,5 et 3 m).



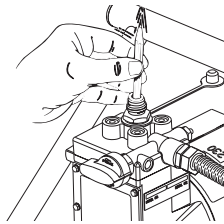
Amorçage

Préparation à l'amorçage

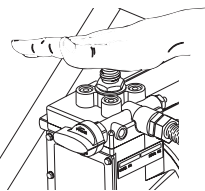
1. Remplissez le robinet d'entrée avec de l'eau ou avec une huile ménagère fluide.
2. Assurez-vous que le robinet AMORÇAGE/PULVÉRISATION est réglé sur AMORÇAGE et que le bouton de commande de pression est tourné dans le sens contraire des aiguilles d'une montre sur le réglage de pression le plus bas.
3. Placez l'interrupteur ON/OFF du moteur sur ON.
4. Augmentez la pression en tournant le bouton de commande de pression dans le sens des aiguilles d'une montre d'1/2 tour.



5. Forcez l'ouverture du robinet d'entrée et fermez en poussant dessus avec un tournevis ou le côté gomme d'un crayon. Il doit s'enfoncer et ressortir d'environ 1/16 de pouce (1,5 mm). Continuez jusqu'à ce que l'eau ou l'huile soit aspirée par le pulvérisateur, ce qui humidifiera les pièces mobiles et détachera tout résidu de vieille peinture.



6. Placez la paume de votre main sur l'entrée. Tournez le bouton de commande de pression dans le sens des aiguilles d'une montre jusqu'au réglage maximum. Vous devez sentir une aspiration provenant du robinet d'entrée. Si ce n'est pas le cas, reportez-vous au chapitre sur le nettoyage et la réparation du robinet de sortie.
7. Tournez le bouton de commande de pression dans le sens contraire des aiguilles d'une montre jusqu'au réglage minimum de pression.
8. Placez l'interrupteur ON/OFF du moteur sur OFF.



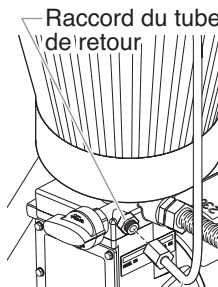
Assemblage de la trémie de peinture

Procédez comme suit pour assembler la trémie de peinture et fixer le tube de retour sur la trémie.

1. Alignez le bas de la trémie de peinture avec le robinet d'entrée fileté du bloc de la pompe à peinture.
2. Tournez la trémie dans le sens des aiguilles d'une montre pour la visser sur le robinet d'entrée. Continuez à tourner la trémie jusqu'à ce qu'elle soit bloquée sur le robinet d'entrée.

NOTA: Vérifiez que les filets sont droits et que la trémie est libre de tourner sur le robinet d'entrée. Veillez à ne pas visser de travers.

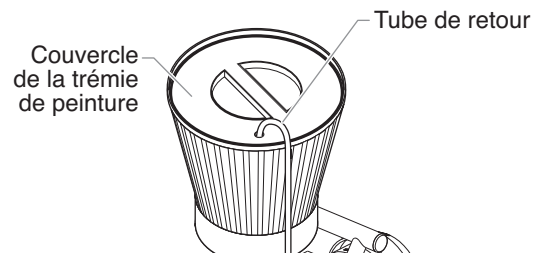
3. Placez le tamis dans le bas de la trémie de peinture. Il se met en place par un coup sec.
4. Assurez-vous que l'interrupteur ON/OFF du moteur est placé sur OFF.
5. Vissez le raccord du tube de retour fourni avec les manuels dans l'orifice du tube de retour, sur le côté de la pompe.



NOTA: Ne serrez pas trop. Serrez seulement à la main. Certains filets seront visibles même après avoir serré à fond.

6. Placez l'extrémité droite du tube de retour dans le raccord du tube.
7. Vissez l'écrou du tube de retour sur le raccord du tube de retour et serrez jusqu'à ce que le tube soit fixé.

8. Placez l'extrémité en forme de crochet du tube de retour dans le trou du couvercle de la trémie de peinture.



Assemblage du groupe d'aspiration

Procédez comme suit pour fixer le groupe d'aspiration à l'unité d'aspiration.

1. Alignez l'écrou du groupe d'aspiration avec le robinet d'entrée fileté du bloc de la pompe à peinture.
2. Tournez l'écrou dans le sens des aiguilles d'une montre pour le visser sur le robinet d'entrée. Continuez à tourner l'écrou jusqu'à ce qu'il soit bloqué sur le robinet d'entrée.

NOTA: Vérifiez que les filets sont droits et que l'écrou tourne sans problème sur le robinet d'entrée. Veillez à ne pas visser de travers.

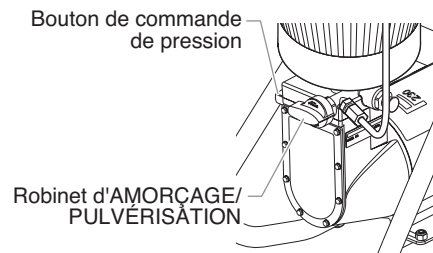
3. Vissez le raccord du tube de retour fourni avec les manuels dans l'orifice du tube de retour sur le côté de la pompe.

NOTA: Ne serrez pas trop. Serrez seulement à la main. Une partie du filet sera visible même après avoir serré à fond.

4. Placez l'extrémité droite du tube de retour dans le raccord du tube.
5. Glissez le collier du tube de retour sur le raccord du tube de retour et serrez jusqu'à ce que le tube soit fixé.

Amorçage de la pompe

1. Tournez le bouton de commande de pression dans le sens contraire des aiguilles d'une montre jusqu'au réglage de pression le plus bas.



2. Retirez le couvercle de la trémie de peinture et remplissez la trémie ou bien placez le groupe d'aspiration dans un seau de peinture.
3. Tournez le robinet d'AMORÇAGE/PULVÉRISATION sur AMORÇAGE.
4. Placez l'interrupteur ON/OFF du moteur sur ON.
5. Tournez le bouton de commande de pression dans le sens des aiguilles d'une montre sur la position intermédiaire entre demi-pression et pression totale. Laissez l'unité s'amorcer pendant 1 à 2 minutes après que la peinture commence à s'écouler dans le tube de retour.

ATTENTION

Abaissez toujours la pression à zéro avant de modifier la position du robinet d'AMORÇAGE/PULVÉRISATION. Vous pourriez sinon endommager la membrane de la pompe à peinture.

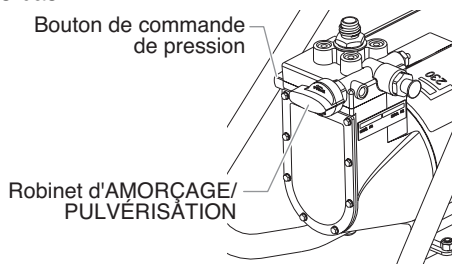
ATTENTION

Si le bouton de commande de pression est placé sur zéro et que le robinet d'AMORÇAGE/PULVÉRISATION est encore sur PULVÉRISATION pendant que le pulvérisateur est en marche, il y aura une pression élevée dans le tuyau et dans le pistolet de pulvérisation jusqu'à ce que le robinet d'AMORÇAGE/PULVÉRISATION soit placé sur la position AMORÇAGE ou jusqu'à ce que la pression soit déchargée sur le pistolet.

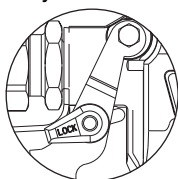
Procédure de déchargement de pression

Suivez cette procédure après avoir assemblé l'appareil et avant toute opération utilisant le pistolet de pulvérisation, comme par exemple le nettoyage et l'entretien ou le changement d'embout ou d'accessoires.

1. Tournez le bouton de commande de pression dans le sens contraire des aiguilles d'une montre jusqu'au réglage le plus bas.



2. Tournez le robinet d'AMORÇAGE/PULVÉRISATION sur AMORÇAGE.
3. Appuyez sur la détente du pistolet pour éliminer toute pression éventuellement restante dans le tuyau.
4. Bloquez la détente en tournant le verrou de la détente à fond vers l'avant.



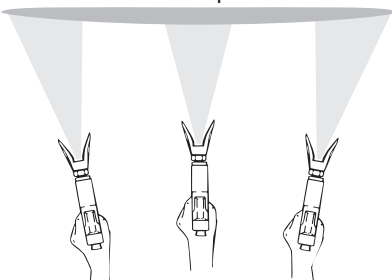
AVERTISSEMENT

Risque d'injection. Ne pulvérisez pas sans que le protège-embout soit installé. N'appuyez JAMAIS sur la détente du pistolet si l'embout n'est pas sur la position de pulvérisation ou de débouchage. Verrouillez toujours la détente du pistolet avant d'enlever, de changer ou de nettoyer l'embout.

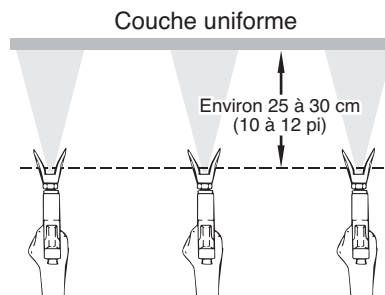
Pulvérisation Technique de pulvérisation

Le secret pour réaliser un bon travail de peinture est d'appliquer une couche homogène sur toute la surface, ce qui est possible en réalisant des mouvements uniformes. Déplacez votre bras à une vitesse constante et maintenez le pistolet de pulvérisation de façon régulière à la même distance de la surface. La meilleure distance de pulvérisation est de 10 à 12 pouces (25 à 30 cm) entre l'embout et la surface.

Couche fine Couche épaisse Couche fine

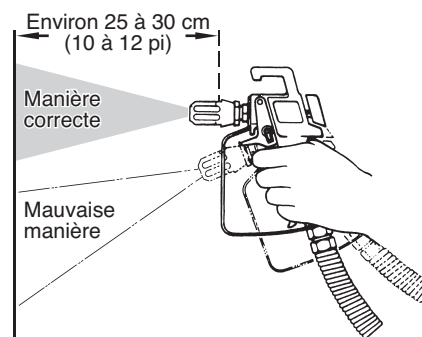


Maintenez le pistolet de pulvérisation à angle droit par rapport à la surface. Pour cela, vous devez faire des allers-retours avec tout le bras au lieu de simplement plier le poignet.



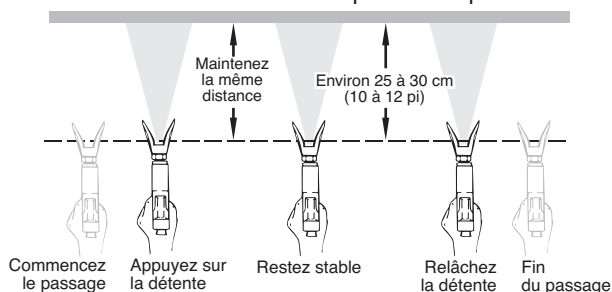
Ne faites pas de mouvements saccadés et conservez la même vitesse.

Maintenez le pistolet de pulvérisation perpendiculaire à la surface pour que la couche ne soit pas plus épaisse d'un côté que de l'autre.



Le pistolet doit être actionné et éteint à chaque passage. Cela permet d'économiser la peinture et d'éviter les dépôts en fin de passage. Ne déclenchez pas le pistolet au milieu d'un passage car cela aurait pour résultat une pulvérisation non uniforme et ferait des taches.

Manière correcte d'actionner le pistolet de pulvérisation



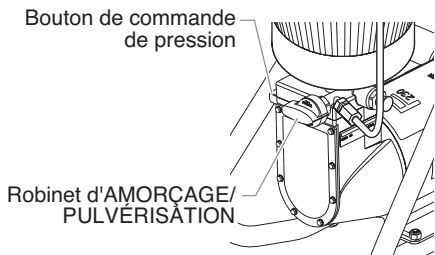
Faites se chevaucher les passages sur environ 30% pour garantir une couche uniforme.

Quand vous cessez de peindre, bloquez le verrou de détente du pistolet, tournez le bouton de commande de pression dans le sens contraire des aiguilles d'une montre jusqu'à son réglage le plus bas et placez le robinet d'AMORÇAGE/PULVÉRISATION sur la position AMORÇAGE. Placez l'interrupteur ON/OFF du moteur sur OFF et débranchez le pulvérisateur.

Si vous vous arrêtez de peindre pendant plus d'une heure, suivez la procédure de nettoyage à court terme décrite au chapitre NETTOYAGE de ce manuel.

Pratique

1. Assurez-vous que le flexible de peinture ne comporte pas de nœuds et n'est pas près d'objets coupants.
2. Tournez le bouton de commande de pression dans le sens contraire des aiguilles d'une montre jusqu'au réglage le plus bas.



3. Tournez le robinet d'AMORÇAGE/PULVÉRISATION sur PULVÉRISATION.
4. Tournez le bouton de commande de pression dans le sens des aiguilles d'une montre jusqu'au réglage maximum. Le flexible de peinture doit se raidir quand la peinture commence à s'écouler.
5. Débloquez le verrou de la détente du pistolet en tournant le commutateur de sorte qu'il soit parallèle à la poignée.
6. Appuyez sur la détente du pistolet pour purger le tuyau d'air.
7. Quand la peinture arrive dans l'embout de pulvérisation, faites un test pour en vérifier les résultats.
8. Utilisez le réglage de pression le plus bas possible pour obtenir une bonne pulvérisation. Si la pression est trop élevée, la pulvérisation sera trop fine. Si la pression est trop basse, des traînées apparaîtront ou alors la peinture s'étalera en faisant des taches au lieu d'une fine pulvérisation.

Nettoyage

Rangement pour la nuit

Arrêt

1. Tournez le bouton de commande de pression dans le sens contraire des aiguilles d'une montre jusqu'au réglage minimum.
2. Tournez le robinet d'AMORÇAGE/PULVÉRISATION sur AMORÇAGE pour enlever la pression du système.
3. Appuyez sur la détente du pistolet pour éliminer toute pression éventuellement restante dans le flexible.
4. Bloquez la détente en tournant le verrou de la détente à fond vers l'avant.
5. Placez l'interrupteur ON/OFF du moteur sur OFF et débranchez le pulvérisateur.
6. Pour les peintures au latex, versez lentement ? tasse d'eau sur la peinture pour éviter qu'elle ne sèche. Pour les autres types de peintures, scellez le récipient ou la trémie (avec son couvercle) de peinture en laissant le tube de retour dans la peinture.

Détente bloquée (le pistolet ne pulvérise pas)



7. Enveloppez le pistolet de pulvérisation dans un chiffon humide et placez-le dans un sac en plastique. Scellez le sac.
8. Pour un stockage à court terme, placez le pulvérisateur à un endroit sûr à l'abri du soleil.

Reprise du travail

1. Retirez le pistolet du sac en plastique.
2. Remuez l'eau dans la peinture pour les peintures au latex. Retirez le couvercle de la trémie ou du récipient de peinture et remuez la peinture pour tous les autres types de peinture.
3. Vérifiez que le robinet d'AMORÇAGE/PULVÉRISATION est réglé sur AMORÇAGE et que la pression est réduite au maximum.
4. Branchez le pulvérisateur et placez l'interrupteur ON/OFF du moteur sur ON.
5. Une fois le pulvérisateur amorcé, tournez le robinet d'AMORÇAGE/PULVÉRISATION sur PULVÉRISATION et tournez progressivement le bouton de commande de pression dans le sens des aiguilles d'une montre pour faire monter la pression.
6. Testez le pulvérisateur sur une chute et commencez à pulvériser.

Stockage à long terme

⚠ AVERTISSEMENT

Ne laissez pas la peinture s'accumuler sur le moteur, sous peine de le faire surchauffer. Ne mettez pas de solvants inflammables en contact avec le moteur car ils pourraient s'enflammer.

NOTA: Vous aurez besoin d'un seau, d'une solution de nettoyage, d'une brosse à dents, d'une clé et de chiffons.

⚠ ATTENTION

N'utilisez pas d'essences minérales ni de diluants avec une peinture au latex car le mélange se transformerait en une substance gélatineuse difficile à enlever.

Nettoyage de la trémie de peinture

Procédez comme suit pour enlever la peinture d'une trémie de peinture.

1. Bloquez la détente du pistolet en tournant le verrou de la détente à fond vers l'avant.
2. Tournez le bouton de commande de pression dans le sens contraire des aiguilles d'une montre jusqu'au réglage minimum.
3. Tournez le robinet d'AMORÇAGE/PULVÉRISATION sur AMORÇAGE.

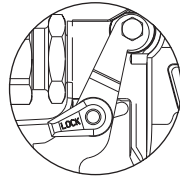
Détente bloquée (le pistolet ne pulvérise pas)
4. Placez l'interrupteur ON/OFF du moteur sur OFF.
5. Dirigez le tube de retour dans le récipient de peinture d'origine.
6. Placez l'interrupteur ON/OFF du moteur sur ON.
7. Tournez le bouton de commande de pression sur la moitié de la pression maximum. De cette manière, la peinture restante dans la trémie de peinture est aspirée dans la pompe et remonte dans le tube de retour et dans le récipient de peinture.
8. Tournez le bouton de commande de pression dans le sens contraire des aiguilles d'une montre jusqu'au réglage minimum de pression.
9. Actionnez le pistolet pour supprimer la pression et verrouillez-le.
10. Retirez le protège-embout et l'embout de pulvérisation et placez-les dans un récipient d'eau ou de solvant approprié pour le type de peinture utilisée.
11. Remplissez la trémie de peinture d'eau ou d'un solvant approprié pour le type de peinture que vous utilisez.

12. Dirigez le tube de retour dans un seau pour résidus.
13. Augmentez la pression à la moitié de la pression maximum. Laissez l'eau ou le solvant circuler pendant 2-3 minutes pour évacuer la peinture hors de la pompe, de la trémie et du tube de retour.

Nettoyage du groupe d'aspiration

Procédez comme suit pour enlever la peinture du tube d'aspiration d'un groupe d'aspiration.

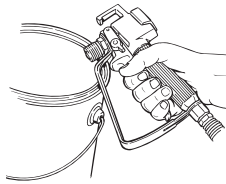
1. Tournez le bouton de commande de pression dans le sens contraire des aiguilles d'une montre jusqu'au réglage minimum.
2. Tournez le robinet d'AMORÇAGE/PULVÉRISATION sur AMORÇAGE.
3. Placez l'interrupteur ON/OFF du moteur sur OFF.
4. Attendez quelques secondes puis actionnez le pistolet dans le récipient de peinture pour dégager la pression accumulée du produit en provenance de la pompe.
5. Bloquez la détente du pistolet en tournant le verrou de la détente à fond vers l'avant.
6. Retirez le tuyau d'aspiration de la peinture et tenez-le au-dessus d'un seau d'eau ou de solvant. Laissez le tube de retour dans le récipient de peinture.
7. Placez l'interrupteur ON/OFF du moteur sur ON.
8. Tournez le bouton de commande de pression à la moitié de la pression maximum. De cette manière, la peinture restante dans le tube d'aspiration est aspirée dans la pompe et redescend dans le tube de retour et le récipient de peinture.
9. Tournez le bouton de commande de pression dans le sens contraire des aiguilles d'une montre jusqu'au réglage minimum.
10. Placez le tube d'aspiration avec le tube de retour dans le récipient d'eau ou de solvant.
11. Retirez l'embout de pulvérisation et le protège-embout et placez-les dans un récipient contenant un solvant approprié.
12. Augmentez la pression à la moitié de la pression maximum. Laissez l'eau ou le solvant circuler pendant 2-3 minutes pour rincer la peinture de la pompe, du tube d'aspiration et du tube de retour.



Détente bloquée
(le pistolet ne pulvérise pas)

Nettoyage du tuyau de peinture

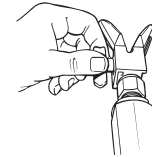
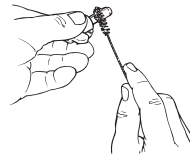
1. Pour économiser la peinture restée dans le tuyau, débloquez le verrou de la détente du pistolet et actionnez le pistolet avec précautions, avec l'embout enlevé, à l'intérieur du récipient de peinture.
2. Tournez le bouton de commande de pression dans le sens contraire des aiguilles d'une montre jusqu'au réglage minimum de pression.
3. Tournez le robinet d'AMORÇAGE/PULVÉRISATION sur PULVÉRISATION.
4. Tournez lentement le bouton de commande de pression jusqu'à ce que la peinture commence à couler dans le seau. Dès que l'eau ou le solvant commence à arriver dans le seau, lâchez la détente.
5. Remplacez l'eau ou le solvant par de l'eau ou du solvant propre, dirigez le pistolet sur la paroi du seau pour résidus et continuez à faire circuler le liquide pendant 5 minutes pour bien nettoyer le tuyau, la pompe et le pistolet de pulvérisation.
6. Tournez le bouton de commande de pression dans le sens contraire des aiguilles d'une montre jusqu'au réglage le plus bas.
7. Tournez le robinet d'AMORÇAGE/PULVÉRISATION sur AMORÇAGE.
8. Appuyez sur la détente du pistolet pour éliminer toute pression éventuellement restant dans le flexible.



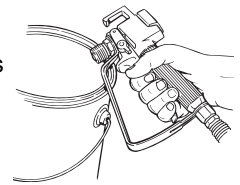
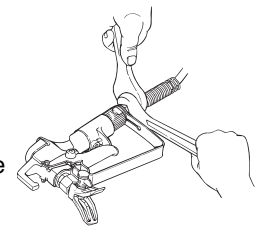
9. Bloquez la détente du pistolet en tournant le verrou de la détente à fond vers l'avant.
10. Placez l'interrupteur ON/OFF du moteur sur OFF.
11. Couvrez le récipient de peinture et rangez-le.

Nettoyage du pistolet

1. Retirez le pistolet de pulvérisation du tuyau de peinture en vous servant de deux clés réglables.
2. Retirez le logement de filtre du pistolet. Placez le pistolet et le filtre dans un récipient rempli d'eau ou de solvant.
3. Nettoyez l'embout de pulvérisation et le filtre du pistolet avec une brosse douce.
4. Remontez le pistolet et le filtre. Assemblez l'embout de pulvérisation dans la position de nettoyage avec la flèche dirigée vers l'arrière du pistolet.



5. Fixez le flexible de peinture sur le pistolet et serrez à l'aide de deux clés.
6. Placez l'interrupteur ON/OFF du moteur sur ON.
7. Débloquez la détente du pistolet en tournant le verrou de la détente de façon à ce qu'il soit parallèle à la poignée du pistolet.
8. Tournez le robinet d'AMORÇAGE/PULVÉRISATION sur PULVÉRISATION et dirigez le pistolet sur la paroi du seau à déchets.
9. Déclenchez le pistolet et tournez progressivement le bouton de commande de pression dans le sens des aiguilles d'une montre jusqu'à la moitié de la pression. Continuez à actionner le pistolet pendant environ 30 secondes.
10. Tournez le bouton de commande de pression dans le sens contraire des aiguilles d'une montre jusqu'au réglage le plus bas.
11. Tournez le robinet d'AMORÇAGE/PULVÉRISATION sur AMORÇAGE.
12. Appuyez sur la détente du pistolet pour éliminer toute pression éventuellement restant dans le tuyau.
13. Bloquez la détente du pistolet en tournant le verrou de la détente à fond vers l'avant.
14. Placez l'interrupteur ON/OFF du moteur sur OFF.

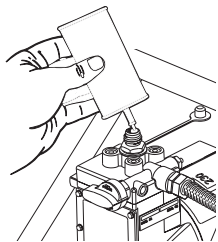


Nettoyage final

1. Retirez l'ensemble de l'embout.
2. Placez le moteur sur ON.
3. Tournez le robinet d'AMORÇAGE/PULVÉRISATION sur PULVÉRISATION.
4. Tournez le bouton de commande de pression dans le sens des aiguilles d'une montre sur la moitié de la pression.
5. Actionnez le pistolet dans le seau à déchets jusqu'à ce que la trémie ou le seau de solvant soit vide.
6. Remplissez la trémie ou le seau de solvant et continuez à rincer le système jusqu'à ce que la solution sortant du pistolet soit propre.
7. Verrouillez le pistolet et tournez le bouton de commande de pression dans le sens contraire des aiguilles d'une montre jusqu'au réglage le plus bas.
8. Tournez le robinet d'AMORÇAGE/PULVÉRISATION sur AMORÇAGE.
9. Retirez la trémie ou le groupe d'aspiration du robinet d'entrée.
10. Nettoyez le filetage du robinet d'entrée à l'aide d'un chiffon humide.

- Remplissez le robinet d'entrée avec de l'huile ménagère fluide.
- Tournez le robinet d'AMORÇAGE/PULVÉRISATION sur PULVÉRISATION pour répartir l'huile.

NOTA: Le nettoyage et l'huilage corrects de la pompe après l'emploi sont les principales mesures à prendre pour garantir le fonctionnement correct du pulvérisateur après son stockage.



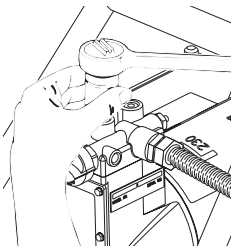
- Tournez le bouton de commande de pression dans le sens contraire des aiguilles d'une montre jusqu'au réglage le plus bas.
- Tournez le robinet d'AMORÇAGE/PULVÉRISATION sur AMORÇAGE.
- Appuyez sur la détente du pistolet pour éliminer toute pression éventuellement restante dans le tuyau.
- Bloquez la détente du pistolet en tournant le verrou de la détente à fond vers l'avant.
- Placez l'interrupteur ON/OFF du moteur sur OFF.
- Retirez le filtre de la trémie et nettoyez-le dans de l'eau propre ou un solvant approprié. Utilisez une brosse douce.
- Remettez le filtre en place dans la trémie.
- Ré-installez la trémie ou le groupe d'aspiration sur le robinet d'entrée.
- Essuyez toute l'unité, le tuyau et le pistolet avec un chiffon humide pour enlever les dépôts de peinture.

Entretien

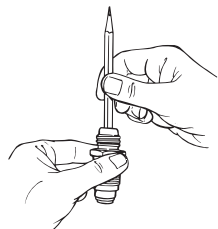
Suivez les procédures suivantes si vous rencontrez des problèmes indiqués au chapitre de dépannage.

Dépose et nettoyage des robinets d'entrée

- Réalisez la procédure de dégagement de pression, arrêtez et débranchez l'appareil.
- Retirez le robinet d'entrée à l'aide d'une clé à douille de 27 millimètres ou d'une clé polygonale.
- Testez le mouvement du robinet en poussant dessus, sur le côté ouvert du logement du robinet, avec un tournevis ou le côté gomme d'un crayon. Il doit bouger d'environ 1/16 de pouce (0,15 mm). Si ce n'est pas le cas, le robinet doit être nettoyé ou changé.



NOTA: Le robinet d'entrée doit être huilé après chaque utilisation. Cela réduit, voire supprime les problèmes d'amorçage lors de l'utilisation suivante du pulvérisateur.

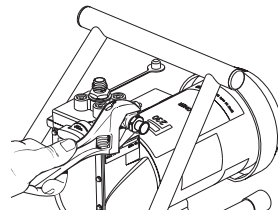


- Nettoyez bien le robinet à l'eau ou avec un solvant approprié. Utilisez une petite brosse.
- Si le robinet a été correctement nettoyé et que de l'eau goutte de la partie inférieure, c'est qu'il est usé et doit être changé. Un robinet à bonne assise rempli d'eau et tenu à la verticale ne goutte pas.
- Installez un robinet neuf ou nettoyé dans le bloc de la pompe et remplissez-le avec de l'huile fluide ou du solvant.

Dépose et nettoyage du robinet de sortie

Il peut s'avérer nécessaire de déposer et de nettoyer le robinet de sortie ou de remplacer certaines de ses pièces intérieures si elles sont usées.

- Retirez le corps du robinet de sortie avec une clé.
- Retirez et nettoyez la butée de la bille et le petit ressort à l'intérieur du robinet en vous servant d'un crochet métallique ou d'une pince. Remplacez le ressort s'il est cassé ou usé.

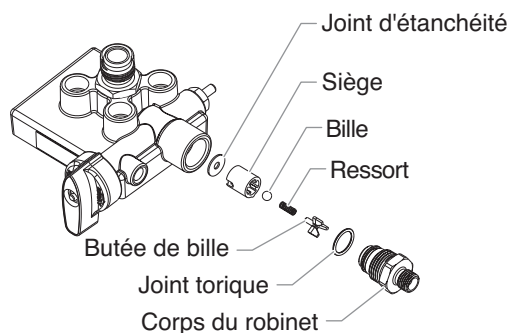


NOTA: Ce ressort est fabriqué selon une tension spécifique. Ne le remplacez pas par un ressort non homologué. Reportez-vous au schéma des pièces de la pompe à peinture pour obtenir la référence de la pièce de rechange.

- Retirez l'ensemble siège et bille.
- Nettoyez soigneusement toutes les pièces. Si la bille ou le siège montrent des signes d'usure ou d'endommagement, remplacez-les par des pièces neuves. Cette bille en carbure doit s'accoupler étroitement à son siège pour que le robinet fonctionne correctement.
- Enduisez toutes les pièces d'une fine couche d'huile fluide avant de les remonter.

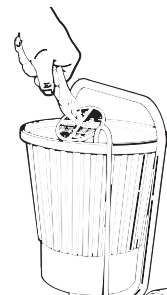
NOTA: Vous devrez aligner la strie du siège avec la rainure du logement de la pompe au remontage.

- Laissez la bille du robinet tomber dedans.
- Insérez la butée de la bille et le ressort et replacez le corps du robinet. Assurez-vous de placer correctement le joint torique et que la languette du bouchon s'adapte bien dans le ressort.
- Serrez fermement le corps du robinet avec une clé réglable. Ne serrez pas trop.



Nettoyage du tamis

Le tamis placé dans le bas de la trémie de peinture peut exiger un nettoyage périodique. Vérifiez-le à chaque fois que vous ajoutez de la peinture. Retirez le tamis en le tirant hors de la trémie avec des pinces. Nettoyez-le à l'eau ou au solvant et avec une brosse à poils doux si besoin est.



Dépannage

Problème

Le pulvérisateur ne démarre pas.

Cause

1. Le pulvérisateur n'est pas branché.
2. L'interrupteur ON/OFF est placé sur OFF.
3. La tension provenant de la prise murale est trop basse ou il n'y a pas de tension.
4. Le pulvérisateur a été éteint alors qu'il était encore sous pression.
5. La rallonge est endommagée ou sa capacité est trop faible.
6. La surcharge thermique du pulvérisateur s'est déclenchée.
7. Il y a un problème de moteur.

Solution

1. Branchez le pulvérisateur.
2. Placez l'interrupteur ON/OFF sur ON.
3. Testez correctement la tension de l'alimentation électrique.
4. Tournez le robinet d'AMORÇAGE/PULVÉRISATION sur AMORÇAGE.
5. Remplacez la rallonge.
6. Laissez le moteur refroidir et placez le pulvérisateur à un endroit plus frais.
7. Emmenez le pulvérisateur à un Centre technique agréé Wagner.

Le pulvérisateur démarre mais n'aspire pas la peinture lorsque le robinet d'AMORÇAGE/PULVÉRISATION est réglé sur AMORÇAGE.

1. L'appareil ne s'amorce pas correctement ou perd de l'amorçage.
2. La trémie de peinture est vide.
3. Le filtre de la trémie est bouché.
4. Le robinet d'entrée est coincé.
5. Le robinet de sortie est coincé.
6. Le robinet d'AMORÇAGE/PULVÉRISATION est bouché.
7. Le robinet d'entrée est usé ou endommagé.
8. Il y a un problème de membrane.
9. Le niveau d'huile hydraulique est trop bas ou il n'y a pas d'huile.

1. Tentez de nouveau d'amorcer l'appareil.
2. Remplissez la trémie de peinture.
3. Nettoyez le filtre de la trémie.
4. Nettoyez le robinet d'entrée.
5. Nettoyez le robinet de sortie et changez les pièces usées.
6. Emmenez le pulvérisateur à un Centre technique agréé Wagner.
7. Changez le robinet d'entrée.
8. Emmenez le pulvérisateur à un Centre technique agréé Wagner.
9. Emmenez le pulvérisateur à un Centre technique agréé Wagner.

Le pulvérisateur aspire la peinture mais la pression tombe lorsque le pistolet est actionné.

1. L'embout de pulvérisation est usé.
2. Le filtre de la trémie est bouché.
3. Le pistolet ou le filtre de l'embout de pulvérisation est bouché.
4. La peinture est trop épaisse ou trop grumeleuse.
5. Le robinet de sortie est sale ou usé.
6. Le robinet d'entrée est endommagé ou usé.

1. Remplacez l'embout de pulvérisation par un embout neuf.
2. Nettoyez le filtre de la trémie.
3. Nettoyez ou remplacez le filtre qui convient. Conservez toujours des filtres supplémentaires à portée de main.
4. Diluez ou filtrez la peinture.
5. Nettoyez ou remplacez le robinet de sortie.
6. Changez le robinet d'entrée.

Le pulvérisateur ne s'éteint pas.

1. La bille ou le siège de la bille du robinet d'entrée ou de sortie est usé.
2. Des corps étrangers ou de la peinture se sont accumulés entre la bille et le siège.

1. Emmenez le pulvérisateur à un Centre technique agréé Wagner.
2. Emmenez le pulvérisateur à un Centre technique agréé Wagner.

Le pistolet de pulvérisation fuit.

1. Des pièces internes du pistolet sont usées ou sales.

1. Emmenez le pulvérisateur à un Centre technique agréé Wagner.

L'embout fuit.

1. L'embout est mal assemblé.
2. Un joint est usé.

1. Vérifiez l'ensemble de l'embout et assemblez-le correctement.
2. Remplacez le joint.

Le pistolet de pulvérisation ne pulvérise pas.

1. L'embout de pulvérisation, le filtre du pistolet ou le filtre de l'embout est bouché.
2. L'embout de pulvérisation est sur la position NETTOYAGE.

1. Nettoyez l'embout de pulvérisation, le filtre du pistolet ou le filtre de l'embout.
2. Placez l'embout sur la position PULVÉRISATION.

Il y a des traînées dans la couche de peinture.

1. Le réglage de pression est trop bas.
2. Le pistolet, l'embout ou le filtre de la trémie est bouché.
3. L'embout est usé.
4. La peinture est trop épaisse.

1. Augmentez la pression.
2. Nettoyez les filtres.
3. Changez l'embout de pulvérisation.
4. Diluez la peinture.

La surcharge thermique se déclenche et arrête le pulvérisateur.

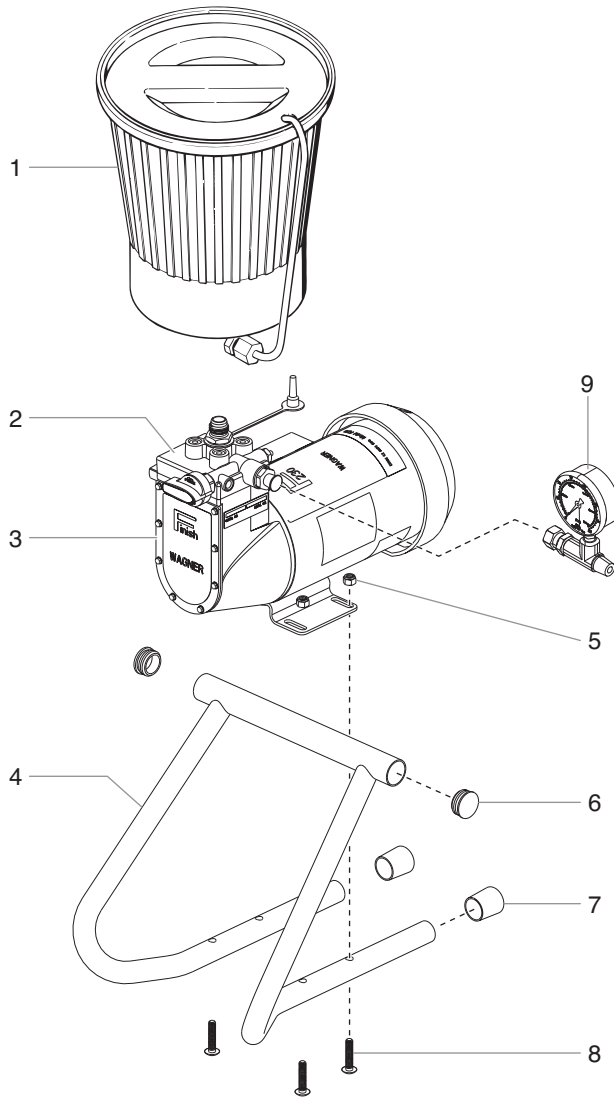
1. Le moteur a surchauffé.
2. La rallonge est trop longue ou d'un calibre trop petit.
3. De la peinture s'est accumulée sur le moteur.
4. Le moteur a été démarré alors que le pulvérisateur était sous pression.
5. Le pulvérisateur est resté au soleil.

1. Laissez refroidir pendant 30 minutes.
2. Laissez refroidir pendant 30 minutes et remplacez la rallonge par une rallonge plus courte ou avec un cordon de calibre plus élevé.
3. Nettoyez la peinture sur le moteur.
4. Redémarrez le pulvérisateur sur le mode AMORÇAGE.
5. Mettez le pulvérisateur à l'abri du soleil.

NOTA: Quand le robinet d'AMORÇAGE/PULVÉRISATION est sur PULVÉRISATION et qu'il y a écoulement dans le tube de retour, retirez le robinet d'AMORÇAGE/PULVÉRISATION et nettoyez-le ou remplacez-le.

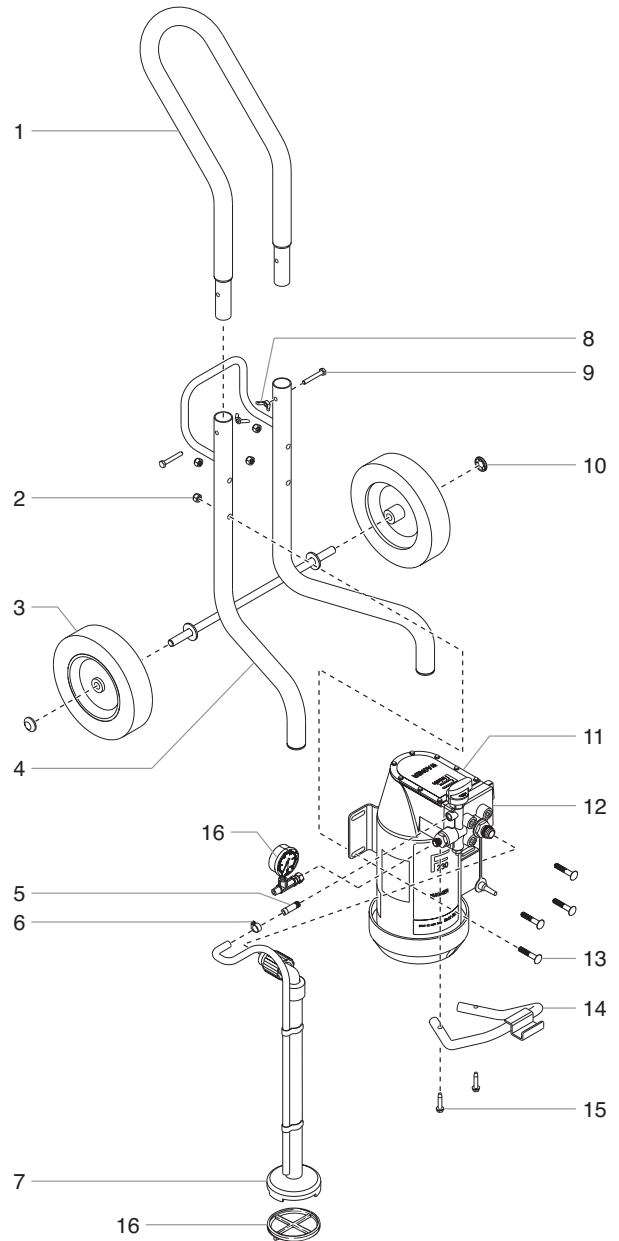
NOTA: Le moteur électrique doit toujours rester propre et sec. La peinture agit comme un isolant. Trop de peinture sur le moteur fait surchauffer ce dernier.

Liste de pièces Ensemble principal - Trémie



Élément	Pièce	Description	Quantité
1	0288144	Trémie.....	1
2	-----	Ensemble tête de pompe.....	1
3	0281118	Pompe à membrane, 220-240 V CA	1
	0311200	Pompe à membrane, 100-120 V CA	
4	0278310	Support	1
5	9811122	Écrou de blocage.....	4
6	0294635	Bouchon.....	2
7	0270343	Bouchon de tube	2
8	9805213	Boulon de chariot.....	4
9	0508239	Manomètre (s'il en est équipé)	1

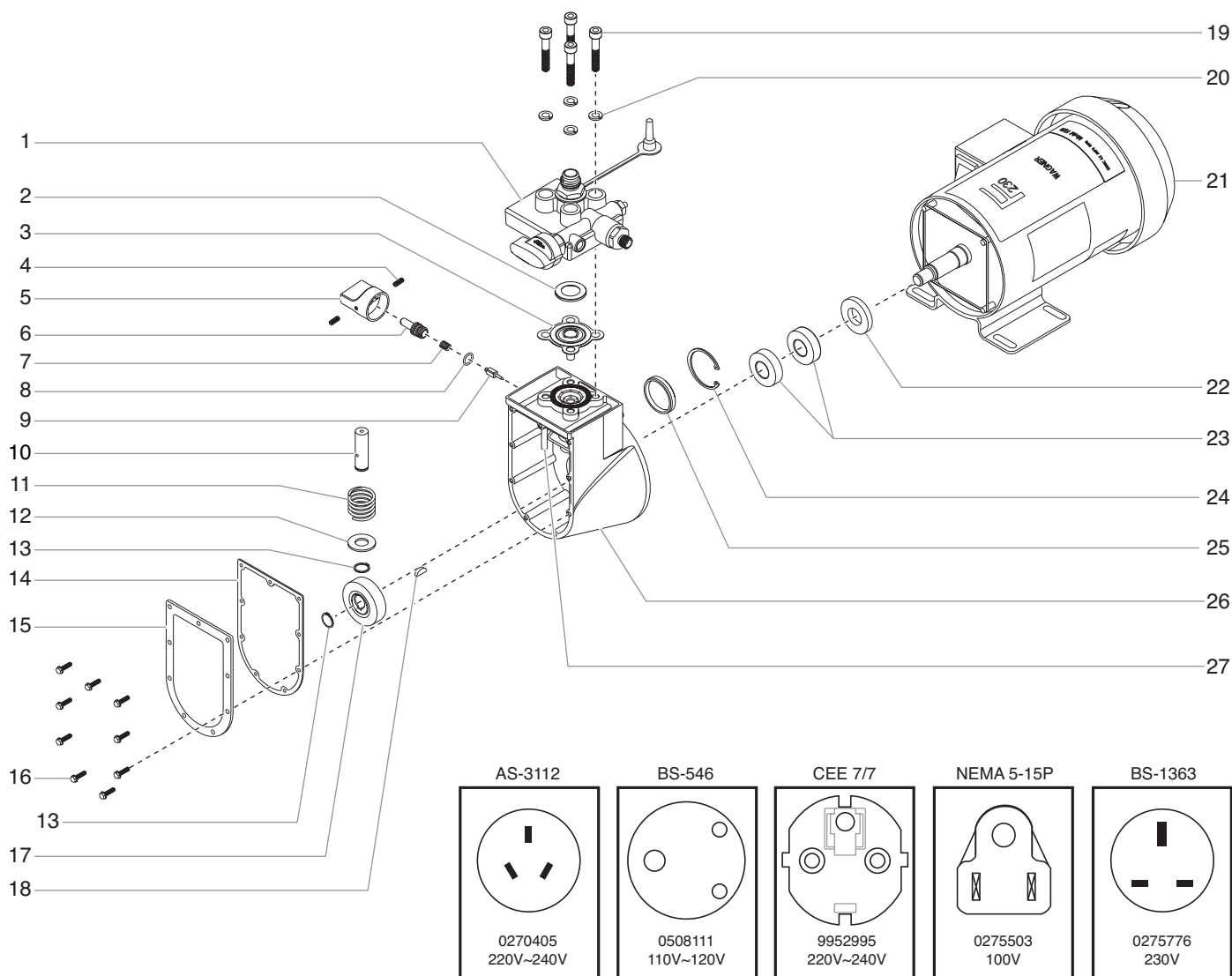
Ensemble principal – Groupe d'aspiration



Élément	Pièce	Description	Quantité
1	0508251	Poignée.....	1
2	9811122	Écrou de blocage.....	4
3	0512396	Roue	2
4	0508255	Châssis	1
5	0088715	Raccord du tube de retour.....	1
6	0327226	Collier du tube de retour	1
7	0278147	Groupe d'aspiration (inclut l'élément 16)	1
8	9810111	Écrou papillon	2
9	9800108	Vis.....	2
10	9810113	Bouchon d'essieu	2
11	0555126	Pompe à membrane, 220-240 V CA	1
	0311200	Pompe à membrane, 100-120 V CA	
12	-----	Ensemble tête de pompe.....	1
13	9802533	Boulon de chariot.....	4
14	0278364	Crochet pour seau	1
15	9802519	Vis.....	2
16	0270369	Filter.....	1
17	0508239	Manomètre (s'il en est équipé)	1

Pompe à membrane

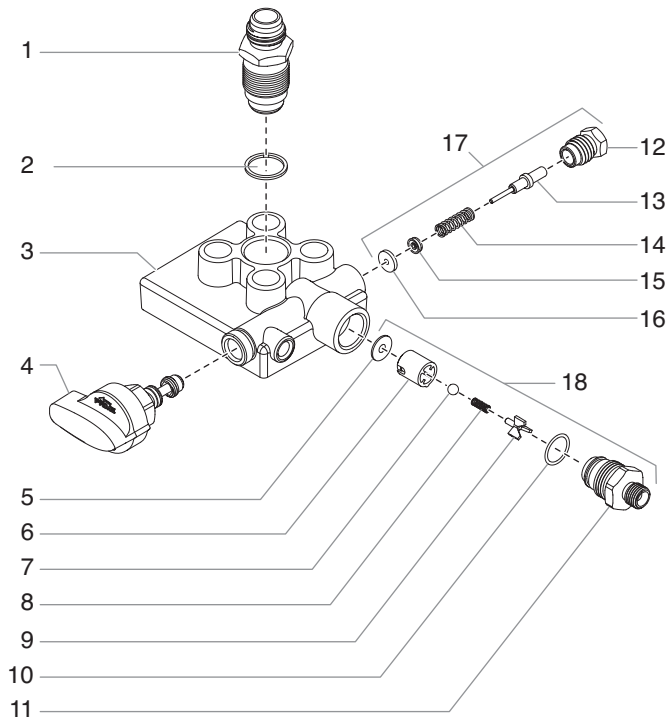
(P/N 0555126 / 220–240 V CA ou P/N 0311200 / 100–120 V CA)



Élément	Pièce	Description	Quantité
1	0311215	Tête de pompe	1
2	0270494	Bague de membrane	1
3	0270201	Membrane.....	1
4	9801109	Vis de réglage.....	2
5	0288775	Bouton de commande de pression.....	1
6	0270529	Tige de robinet.....	1
7	0047373	Ressort de régulation de pression.....	1
8	0089518	Joint torique	1
9	0089475	Pointeau du robinet de pression.....	1
10	0278345	Piston hydraulique	1
11	0005311	Ressort de piston.....	1
12	0270550	Rondelle de piston.....	1
13	0047393	Retenue	2
14	0278359	Joint	1
15	0278341	Couvercle hydraulique.....	1
16	9800049	Vis.....	9
17	0090031	Manchon excentrique et ensemble de roulement.....	1

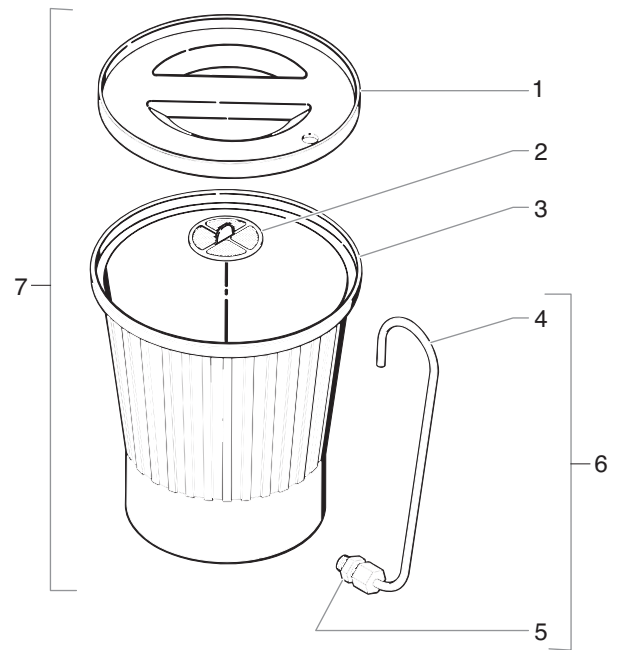
Élément	Pièce	Description	Quantité
18	0089829	Clavette.....	1
19	9900355	Vis creuse (Couple à 20,3 Nm)	4
20	9921601	Rondelle d'arrêt	4
21	0508295	Moteur, 220–240 V CA, groupe d'aspiration (inclut les éléments 28 et 29)	1
	0281117	Moteur, 220–240 V CA, trémie (inclut les éléments 28 et 29)	1
	0278469	Moteur, 100-120 V CA (inclut les éléments 27 et 28)	1
22	0270524	Joint d'étanchéité.....	1
23	0270490	Roulement à billes	2
24	0311400	Circlip.....	1
25	9870117	Joint de bouchonl	1
26	0278238	Ensemble logement hydraulique (inclut les éléments 22–25).....	1
27	0278387	Raccord	1
28	0270462	Ventilateur (non représenté)	1
29	0270612	Couvercle de ventilateur (non représenté)	1
	-----	Cordon électrique (non représenté, voir plus haut)	1

Ensemble tête de pompe



Élément	Pièce	Description	Quantité
1	0278242	Ensemble robinet d'entrée (inclut l'élément 2)	1
2	0089482	Rondelle d'étanchéité, nylon	1
3	0278334	Pompe à peinture	1
4	0555901	Robinet d'AMORÇAGE/ PULVÉRISATION.....	1
5	0278362	Joint d'étanchéité de sortie.....	1
6	0278241	Siège de bille	1
7	0093635	Bille	1
8	0047485	Ressort de sortie	1
9	0278361	Guide de bille.....	1
10	9871114	Joint torique	1
11	0278335	Raccord de sortie	1
12	0278337	Corps de poussée	1
13	0278250	Ensemble tige de poussée	1
14	0278368	Ressort de poussée.....	1
15	0156646	Joint d'étanchéité.....	1
16	0278340	Rondelle de poussée.....	1
17	0508199	Assemblage du poussoir (inclut les éléments 12 à 16)	1
18	0508198	Clapet de refoulement (inclut les éléments 5 à 11)	1

Trémie



Élément	Pièce	Description	Quantité
1	0279591	Couvercle de trémie	1
2	0089917	Tamis, fin (représenté).....	1
3	0088871	Tamis, grossier	1
4	0093865	Tube de retour	1
5	0403309	Raccord	1
6	0090560	Ensemble tube de retour (inclut les éléments 4 et 5)	1
7	0288144	Trémie complète (inclut les éléments 1 à 6)	1

Índice

Precauciones de seguridad	38
Descripción general	40
Especificaciones	40
Prepararse para pintar	40
Cebado	41
Prepararse para el cebado	41
Montaje de la tolva de pintura	41
Acople del conjunto de aspiración	41
Cebado de la bomba	41
Procedimiento para liberar presión	42
Pulverización	42
Limpieza	43
Mantenimiento	45
Resolución de problemas	46
Lista de piezas	47
Conjunto principal – Unidad de la tolva	47
Conjunto principal – Unidad del conjunto de aspiración	47
Bomba de diafragma	48
Conjunto del cabezal de la bomba	49
Conjunto de la tolva	49

Precauciones de seguridad

El presente manual contiene información que deberá leer y comprender bien antes de utilizar el equipo. Cuando llegue a una sección que tenga uno de los siguientes símbolos, preste especial atención y asegúrese de que se cumplen las medidas de seguridad.



Este símbolo indica un peligro potencial que puede provocar lesiones graves e incluso la muerte. A continuación se incluye información importante de seguridad.



Este símbolo indica un peligro potencial para usted o para el equipo. A continuación se incluye información importante para evitar daños al equipo o evitar situaciones que podrían provocar lesiones de segundo orden.

NOTA: Las notas añaden información importante a la que debe prestarse especial atención.



La unidad va provista de un dispositivo de restablecimiento automático de protección térmica. Si se produce una sobrecarga, dicho dispositivo de restablecimiento automático desconecta el motor de la fuente de alimentación.

- El motor se reiniciará sin previo aviso cuando el protector se restablezca automáticamente.
- Desconecte siempre el motor de la fuente de alimentación antes de trabajar en el equipo.
- Cuando el dispositivo de restablecimiento automático de protección térmica desconecte el motor de la fuente de alimentación, libere la presión poniendo la válvula de cebado en la posición PRIME.
- Ponga el interruptor de encendido/apagado en la posición OFF.



PELIGRO: Lesión causada por inyección. La corriente de líquido a alta presión que produce este equipo puede perforar la piel y tejidos interiores, pudiendo provocar graves lesiones e incluso hay posibilidad de amputación.



¡NO TRATE UNA LESIÓN CAUSADA POR INYECCIÓN COMO UN SIMPLE CORTE! La inyección puede provocar amputaciones. Vea a un médico inmediatamente.

La gama máxima de funcionamiento del aparato es de 20.7 MPa (3000 PSI) de presión de líquido.

PREVENCIÓN:

- NUNCA dirija la pistola a ninguna parte del cuerpo.
- NUNCA toque con ninguna parte del cuerpo la corriente de líquido. NO toque con ninguna parte del cuerpo ninguna fuga en la manguera de líquido.
- NUNCA ponga la mano delante de la pistola. Los guantes no serán protección suficiente contra una lesión por inyección.
- Ponga SIEMPRE el seguro del gatillo de la pistola, cierre la bomba y libere toda la presión antes de realizar labores de mantenimiento y reparación, limpiar la boquilla o el protector, cambiar la boquilla o dejar de usarla. La presión no se descargará apagando el motor. La válvula PRIME/SPRAY (cebar/pulverizar) o válvula de purga de presión debe estar en la posición adecuada para liberar la presión del sistema. Consulte el PROCEDIMIENTO PARA LIBERAR PRESIÓN descrito en el presente manual.
- Mantenga SIEMPRE el protector de la boquilla en su sitio mientras pulveriza. El protector de la boquilla ofrece cierta protección pero principalmente se trata de un dispositivo de advertencia.
- Desmonte SIEMPRE la boquilla pulverizadora antes de enjuagar o limpiar el sistema.
- En la manguera de pintura pueden aparecer fugas a causa del desgaste, de retorcimientos o de un mal uso. Una fuga puede proyectar material hacia la piel. Revise siempre la manguera antes de usarla.
- NUNCA use una pistola pulverizadora si el seguro del gatillo no funciona o si la protección del gatillo no está en su sitio.
- Todos los accesorios deben cumplir o superar las especificaciones nominales para la gama de presiones de funcionamiento del pulverizador. Esto incluye boquillas pulverizadoras, pistolas, extensiones y manguera.

NOTA PARA LOS MÉDICOS:

La inyección en la piel es una lesión traumática. Es importante tratar la lesión lo antes posible. NO demore el tratamiento por averiguar la toxicidad. La toxicidad supone una preocupación cuando se inyectan ciertas capas directamente en el flujo sanguíneo. Tal vez sea aconsejable consultar a un cirujano plástico o especialistas en reconstrucción de manos.

PELIGRO: EXPLOSIONES e INCENDIOS. Los humos de las pinturas y disolventes pueden explotar o inflamarse, pudiendo provocar lesiones graves y/o daños materiales.

PREVENCIÓN:

- Permita una zona de escape amplia y que entre aire fresco para que el aire dentro de la zona de pulverización no acumule vapores inflamables.
- Evite todas las fuentes de ignición, tales como chispas por electricidad estática, aparatos eléctricos, llamas, luces indicadoras, objetos calientes y chispas producidas al conectar y desconectar cables de alimentación o interruptores de luces en funcionamiento.
- No fume en la zona de pulverización.
- Debe haber algún extintor de incendios que esté en perfectas condiciones.

- Coloque el pulverizador al menos a 6,1 m (20 pies) del objeto que se va a pulverizar en una zona bien ventilada (añada más manguera si es necesario). Los vapores inflamables suelen ser más pesados que el aire. El área del suelo debe estar perfectamente ventilada. La bomba contiene piezas que forman arcos eléctricos y sueltan chispas, pudiendo inflamar los vapores.
- El equipo y los objetos alrededor y en la zona de pulverización deben estar puestos a tierra adecuadamente para evitar chispas estáticas.
- Use solamente una manguera conductora o a tierra para líquido a alta presión. La pistola debe estar puesta a tierra a través de las conexiones de la manguera.
- El cable de alimentación debe estar conectado a un circuito puesto a tierra (sólo unidades eléctricas).
- Enjuague siempre la unidad en un recipiente de metal aparte, a baja presión de la bomba y con la boquilla quitada. Sujete la pistola con firmeza contra el lateral del recipiente para poner a tierra dicho recipiente y evitar así chispas estáticas.
- Siga las instrucciones y advertencias del fabricante del material y del disolvente.
- La unidad debe conectarse a un objeto puesto a tierra. Use el cable verde de puesta a tierra para conectar la unidad a una tubería de agua, viga de acero o superficie puesta a tierra en términos eléctricos.
- No utilice materiales con un punto de ignición por debajo de 21 °C (70 °F). El punto de ignición es la temperatura a la que un fluido puede producir vapores suficientes como para que se inflamen.
- El plástico puede producir chispas estáticas. No utilice nunca plásticos para cerrar la zona de pulverización. No emplee tela protectora de plástico cuando pulverice sobre materiales inflamables.
- Use la mínima presión posible cuando enjuague el equipo.

MOTOR DE GASOLINA (CUANDO SEA PERTINENTE)

Coloque siempre el pulverizador fuera de la estructura en un lugar con aire puro. Mantenga todos los disolventes alejados del escape del motor. Nunca llene el depósito de combustible estando el motor en marcha o caliente. Las superficies calientes pueden inflamar el combustible derramado. Conecte siempre un hilo a masa entre la bomba y un objeto a tierra. Si desea ver toda la información sobre seguridad, consulte el manual de usuario del motor.

PELIGRO: EL PELIGRO DE EXPLOSIONES A CAUSA DE MATERIALES INCOMPATIBLES puede provocar lesiones graves o daños materiales.

PREVENCIÓN:

- No use materiales que contengan lejía o cloro.
- No use disolventes de hidrocarburo halogenado, como, por ejemplo, cloruro de metileno y 1,1,1-tricloroetano. No son compatibles con el aluminio y pueden provocar una explosión. Si no está seguro de la compatibilidad con el aluminio de un material, contacte con su proveedor.

PELIGRO: VAPORES PELIGROSOS. Las pinturas, disolventes, insecticidas y otros materiales pueden ser perjudiciales si se inhalan o entran en contacto con el cuerpo. Los vapores pueden provocar náuseas intensas, desmayos o envenenamiento.

PREVENCIÓN:

- Use una careta o mascarilla en caso de que puedan inhalarse vapores. Lea todas las instrucciones facilitadas con la mascarilla para asegurarse de que proporciona toda la protección necesaria.
- Lleve gafas protectoras.
- Lleve las ropas de protección exigidas por el fabricante del material.

PELIGRO: GENERAL. Pueden producirse lesiones graves o daños materiales.

PREVENCIÓN:

- Lea todas las instrucciones y precauciones de seguridad antes de utilizar el equipo.
- Cumpla todos los reglamentos locales, estatales y nacionales pertinentes relativos a ventilación, prevención de incendios y funcionamiento.
- Al apretar el gatillo, la mano que sujeta la pistola pulverizadora experimenta una fuerza de retroceso. La fuerza de retroceso de la pistola pulverizadora es especialmente fuerte cuando se quita la boquilla y se selecciona una presión alta para la bomba airless. Cuando vaya a limpiar la boquilla pulverizadora, ponga la perilla de control de presión al mínimo.
- Emplee solamente piezas autorizadas por el fabricante. El usuario asumirá todos los riesgos y toda la responsabilidad cuando utilice piezas que no cumplan con las especificaciones mínimas y dispositivos de seguridad del fabricante de la bomba.
- Cada vez que vaya a utilizar el equipo, compruebe antes todas las mangueras en busca de cortes, fugas, abrasión o bultos en la cubierta. Compruebe el movimiento de los acoplamientos y si están dañados. Sustituya inmediatamente una manguera si descubre alguna de estas anomalías. No repare nunca una manguera de pintar. Sustitúyala por una manguera a alta presión puesta a tierra.
- Siga SIEMPRE las instrucciones del fabricante del material para que la manipulación de pinturas y disolventes sea segura.
- No use este aparato en talleres contemplados en las normativas de prevención de explosiones.
- Limpie inmediatamente todo derrame de material y disolvente.
- Desenchufe siempre el cable de la toma de corriente antes de trabajar en el equipo (sólo aparatos eléctricos).
- Lleve protección para los oídos. El aparato puede producir niveles de ruido superiores a 85 dB(A).
- Nunca deje este equipo sin vigilancia. Manténgalo fuera del alcance de los niños o de cualquier persona que no esté familiarizada con el funcionamiento de equipos airless.
- No pulverice al aire libre si hace viento.

Instrucciones de puesta a tierra

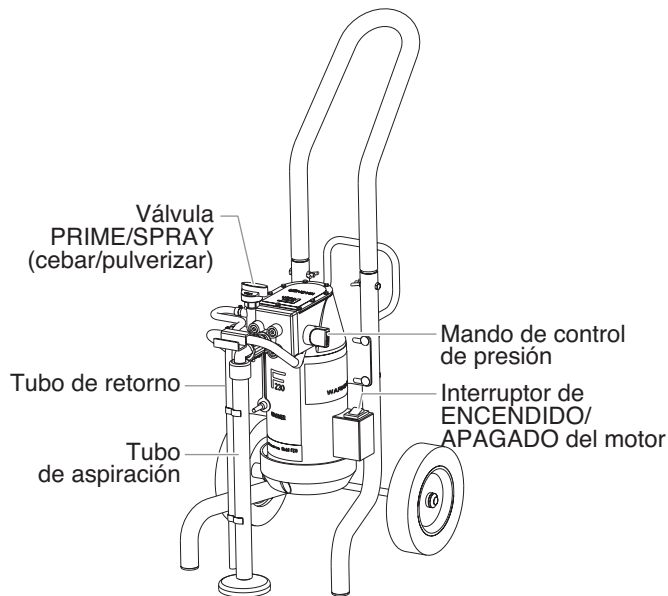
Los modelos eléctricos deben conectarse a tierra. En caso de cortocircuito eléctrico, la puesta a tierra reduce el peligro de descarga eléctrica al proporcionar un hilo de escape para la corriente eléctrica. Este producto está provisto de un cable que tiene un hilo de puesta a tierra con un enchufe de tierra adecuado. El enchufe debe conectarse a una toma de corriente que esté adecuadamente instalada y puesta a tierra conforme al reglamento y ordenanzas locales.

PELIGRO: Una instalación incorrecta del enchufe de puesta a tierra puede suponer un peligro de descarga eléctrica. Si hubiera que sustituir o reparar el cable o el enchufe, no conecte el hilo verde de puesta a tierra a cada terminal plano. El hilo con aislamiento que tiene la superficie exterior de color verde con o sin franjas amarillas es el hilo de puesta a tierra y debe conectarse a la patilla de puesta a tierra.

Consulte a un electricista o técnico cualificado si no entiende del todo las instrucciones de puesta a tierra, o si tiene alguna duda acerca de si el producto está bien conectado a tierra. No modifique el enchufe que se suministra. Si el enchufe no entra en la toma de corriente, pida a un electricista cualificado que le instale una toma de corriente adecuada.

Descripción general

Este pulverizador airless (sin aire) de alto rendimiento es una herramienta de precisión que se utiliza para pulverizar varios tipos de materiales. Lea y siga cuidadosamente este manual de instrucciones para conocer las instrucciones de funcionamiento y la información de mantenimiento y seguridad adecuadas.



Especificaciones

Peso:

Unidad de tolva.....17 kg (37 lbs.)

Unidad del conjunto

de aspiración20 kg (44 lbs.)

CapacidadHasta 1,25 litros (0,35 galones) por minuto

Fuente de alimentación....Motor eléctrico, totalmente cerrado, refrigerado con ventilador

Tensión.....220–240 V CA, 50/60 Hz, 6,2 A o 100–120 V CA, 50/60 Hz, 11,0 A

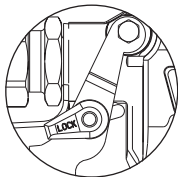
Presión de pulverización..Hasta 20,7 MPa (3.000 PSI)

Prestaciones.....Pulveriza una variedad de pinturas, imprimaciones y tintes con base de aceite y látex

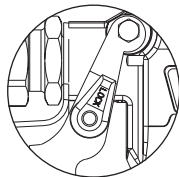
Prepararse para pintar

Acople de la boquilla a la pistola

1. Bloquee el gatillo girando el seguro hacia delante hasta su tope.



Gatillo bloqueado
(la pistola no pulveriza)



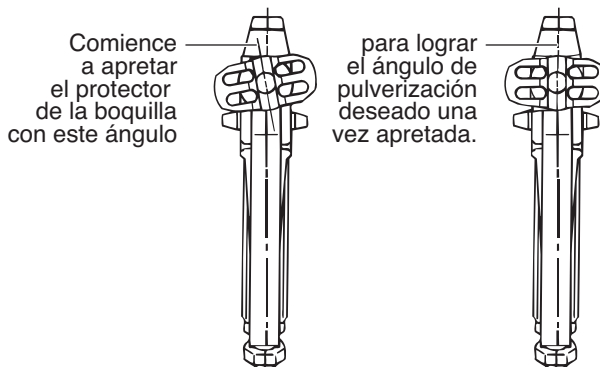
Gatillo desbloqueado
(la pistola sí pulveriza)

⚠ ADVERTENCIA

POSIBILIDAD DE PELIGRO POR INYECCIÓN. No pulverice si el protector de la boquilla no está en su sitio. No apriete nunca el gatillo de la pistola a menos que la boquilla esté destapada o en posición de pulverización. Ponga siempre el seguro del gatillo antes de desmontar, sustituir o limpiar la boquilla.

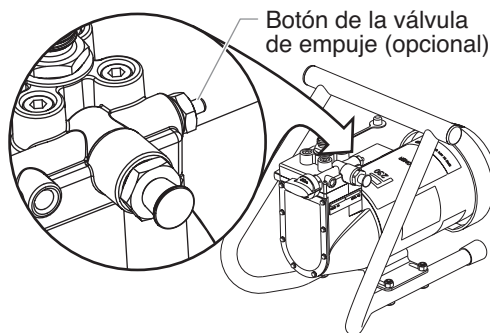
2. Enrosque el protector de la boquilla en la pistola. Apriete la tuerca primero a mano y después más firmemente con una llave.

NOTA: Al acoplar el protector de la boquilla en la pistola, alinee el protector como se indica en la siguiente figura y apriétela con una llave.



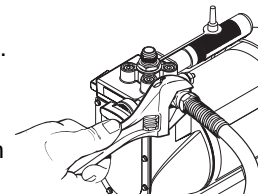
Comprobación de la válvula de salida (opcional)

1. Presione firmemente el botón de la válvula de empuje opcional en el lado del alojamiento de la bomba para asegurarse de que la válvula de bola de salida se mueva libremente.

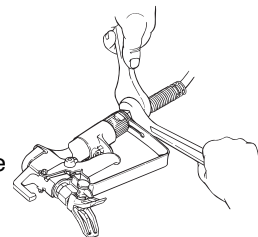


Acople de la manguera de pintura

1. Acople la manguera de alta presión al pulverizador de pintura. Use una llave para apretar la manguera de pintura de forma segura.
2. Acople la pistola pulverizadora en el otro extremo de la manguera de alta presión. Apriete la manguera de forma segura a la pistola usando dos llaves.



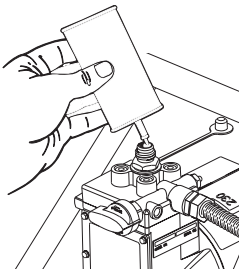
3. Conecte el pulverizador a una toma de corriente con puesta a tierra adecuada o a un cable alargador con puesta a tierra de alto rendimiento. No use más de 30 metros de cable. Si debe pulverizar a una gran distancia de la fuente de alimentación, use más mangueras de pintura, pero no más cables alargadores. Use un cable alargador del calibre 16 como mínimo para hasta 15 metros de longitud, o de un calibre del 12 al 14 para cables alargadores de entre 15 y 20 metros de longitud.



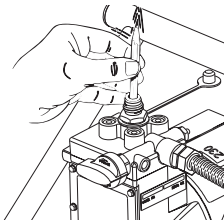
Cebado

Prepararse para el cebado

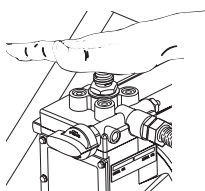
1. Llene la válvula de entrada con agua o con un aceite doméstico suave.
2. Asegúrese de que la válvula PRIME/SPRAY (cebar/pulverizar) está situada en la posición PRIME y de girar el mando de control de presión en el sentido contrario a las agujas del reloj hasta la posición de presión más baja.
3. Coloque el interruptor encendido/apagado (ON/OFF) del motor en la posición ON.
4. Incremente la presión girando el mando de control de presión media vuelta en el sentido de las agujas del reloj.



5. Fuerce la válvula de entrada para abrirla y cerrarla presionando sobre ella con un destornillador o con el extremo de la goma de un lápiz. Debería moverse arriba y abajo 1,5 mm (1/16 de pulgada) aproximadamente. Continúe hasta que se aspire el agua o el aceite al pulverizador. Así se mojarán las piezas móviles y se desprenderán los restos de pintura.



6. Coloque la palma de la mano sobre la entrada. Gire el mando de control de presión en el sentido de las agujas del reloj hasta su posición máxima. Debería sentir la aspiración que proviene de la válvula de entrada. Si no es así, consulte la sección sobre limpieza y mantenimiento de la válvula de salida.



7. Gire el mando de control de presión en el sentido contrario a las agujas del reloj hasta la posición de presión mínima.
8. Coloque el interruptor de encendido/apagado en la posición OFF (apagado).

Montaje de la tolva de pintura

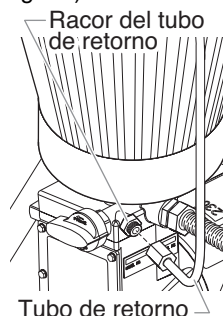
Use el procedimiento siguiente para montar la tolva de pintura y fijar el tubo de retorno a una unidad de tolva.

1. Alinee la parte inferior de la tolva de pintura con la válvula de entrada roscada en el bloque de la bomba de pintura.
2. Gire la tolva de pintura en el sentido de las agujas del reloj para enroscarla en la válvula de entrada. Continúe girando la tolva de pintura hasta que quede fijada en la válvula de entrada.

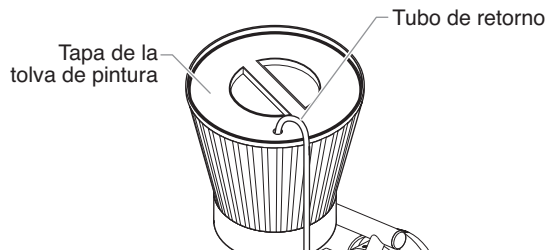
NOTA: Asegúrese de que las roscas están rectas y de que la tolva gira libremente sobre la válvula de entrada. No cruce las roscas.

3. Coloque el filtro en la parte inferior de la tolva de pintura y encájelo en su posición.
4. Asegúrese de que el interruptor de encendido/apagado del motor está en la posición OFF (apagado).
5. Atornille el racor del tubo de retorno que encontrará con la documentación en el orificio del tubo de retorno en el lado de la bomba.

NOTA: No lo apriete demasiado. Apriételo sólo con la mano. Algunas roscas seguirán visibles aunque se aprieten del todo.



7. Enrosque la tuerca del tubo de retorno en el racor de dicho tubo y apriete hasta que quede bien fijado.
8. Coloque el extremo del gancho del tubo de retorno en el orificio de la tapa de la tolva de pintura.



Acople del conjunto de aspiración

Use el siguiente procedimiento para acoplar el conjunto de aspiración a su unidad.

1. Alinee la tuerca del conjunto de aspiración con la válvula de entrada roscada en el bloque de la bomba de pintura.
2. Gire la tuerca en el sentido de las agujas del reloj para enroscarla en la válvula de entrada. Continúe girando la tuerca hasta que quede fijada en la válvula de entrada.

NOTA: Asegúrese de que las roscas están bien rectas y de que la tuerca gira libremente sobre la válvula de entrada. No cruce las roscas.

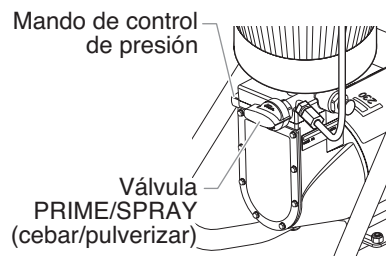
3. Atornille el racor del tubo de retorno que encontrará con la documentación en el orificio del tubo de retorno en el lado de la bomba.

NOTA: No lo apriete demasiado. Apriételo sólo con la mano. Algunas roscas seguirán visibles aunque se aprieten del todo.

4. Coloque el extremo recto del tubo de retorno en el racor de dicho tubo.
5. Deslice la abrazadera del tubo de retorno sobre el racor de dicho tubo y apriétela hasta que el tubo de retorno quede sujeto.

Cebado de la bomba

1. Gire el mando de control de presión en el sentido contrario a las agujas del reloj hasta la posición de presión mínima.



2. Retire la tapa de la válvula de pintura y llene la tolva de pintura o coloque el conjunto de aspiración en un cubo con material.
3. Coloque la válvula PRIME/SPRAY en la posición PRIME.
4. Coloque el interruptor encendido/apagado del motor en la posición ON.
5. Gire el mando de control de presión en el sentido de las agujas del reloj hasta la posición entre la presión media y máxima. Deje que la unidad se ceba durante 1 ó 2 minutos una vez que el material empiece a fluir por el tubo de retorno.

⚠ PRECAUCIÓN

Reduzca siempre la presión a cero antes de cambiar la posición de la válvula PRIME/SPRAY. Si no lo hace, podrían producirse daños en el diafragma de la bomba de pintura.

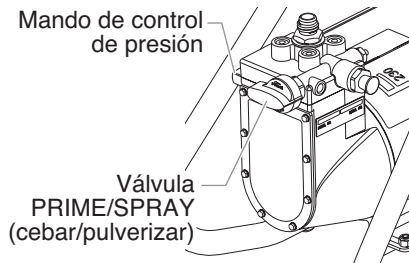
PRECAUCION

Si el mando de control de presión se pone a cero y la válvula PRIME/SPRAY (cebar/pulverizar) no está en la posición SPRAY mientras el pulverizador está funcionando, habrá una gran presión en la manguera y la pistola pulverizadora hasta que se ponga la válvula PRIME/SPRAY en la posición PRIME o hasta que se apriete el gatillo de la pistola para liberar la presión.

Procedimiento para liberar presión

Siga estos pasos una vez montada la unidad y antes de cualquier operación que atañe a la pistola pulverizadora, como la limpieza y el mantenimiento o el cambio de las boquillas y los accesorios.

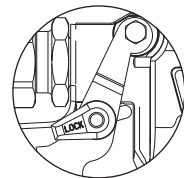
1. Gire el mando de control de presión en el sentido contrario a las agujas del reloj hasta la posición mínima.



2. Coloque la válvula PRIME/SPRAY en la posición PRIME.
3. Accione la pistola para eliminar la presión que pueda quedar en la manguera.
4. Bloquee el gatillo girando el seguro hacia delante hasta su tope.

ADVERTENCIA

Peligro por inyección. No pulverice si el protector de la boquilla no está en su sitio. NUNCA apriete el gatillo de la pistola si la boquilla no está destapada o en posición de pulverización. Ponga SIEMPRE el seguro del gatillo de la pistola antes de retirar, sustituir o limpiar la boquilla.



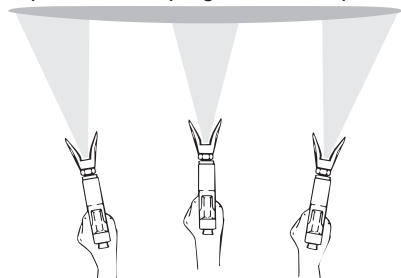
Gatillo bloqueado (la pistola no pulveriza)

Pulverización

Técnica de pulverización

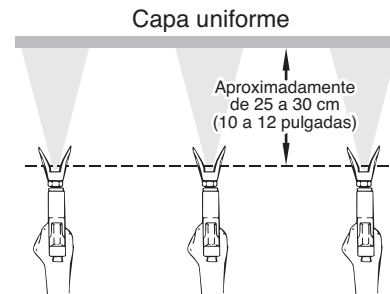
La clave para un buen trabajo de pintura es un recubrimiento uniforme de toda la superficie. Para ello hay que hacer pasadas uniformes. Mueva el brazo a una velocidad uniforme y mantenga la pistola pulverizadora a una distancia constante de la superficie. La mejor distancia de pulverización es de 25 a 30 cm (10 a 12 pulgadas) entre la boquilla y la superficie.

Capa fina Capa gruesa Capa fina



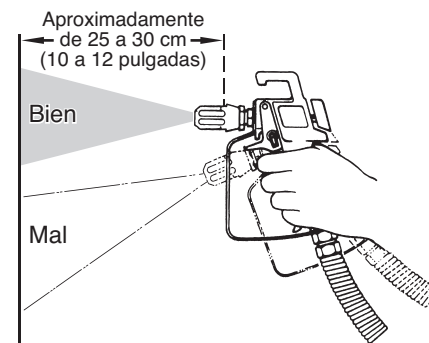
No doblar la muñeca al pulverizar.

Mantenga la pistola pulverizadora en ángulo respecto a la superficie. Eso significa mover todo el brazo hacia atrás y hacia delante en lugar de limitarse a doblar la muñeca.



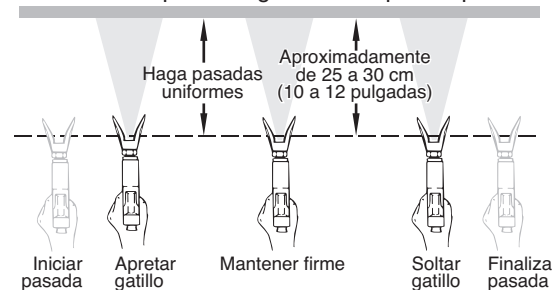
Haga pasadas uniformes y a una velocidad constante.

Mantenga la pistola pulverizadora perpendicular a la superficie, si no el extremo del patrón será más grueso que el resto.



La pistola pulverizadora debe accionarse apretando y soltando el gatillo con cada pasada. Así ahorrará material y evitará que se acumule al final de cada pasada. No apriete el gatillo en medio de una pasada. Produciría un pulverizado irregular y salpicaduras.

Modo correcto de apretar el gatillo de la pistola pulverizadora



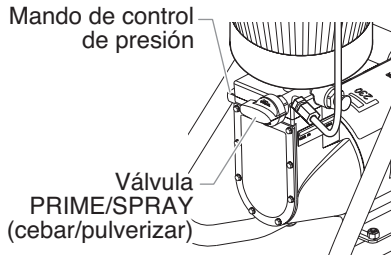
Traslape cada pasada en un 30% aproximadamente. Así se asegurará de que la mano de pintura es uniforme.

Cuando deje de pintar, bloquee el gatillo de la pistola, gire el mando de control de presión en el sentido contrario a las agujas del reloj hasta la posición mínima y ponga la válvula PRIME/SPRAY (cebar/pulverizar) en la posición PRIME. Ponga el interruptor de encendido/apagado en la posición OFF y desenchufe el pulverizador.

Si va a estar sin utilizarlo más de 1 hora, siga el procedimiento de limpieza a corto plazo que se describe en el apartado LIMPIEZA de este manual.

Práctica

1. Asegúrese de que la manguera de pintura no esté retorcida y de que no haya cerca objetos de bordes afilados.
2. Gire el mando de control de presión en el sentido contrario a las agujas del reloj hasta la posición mínima.



- Coloque la válvula PRIME/SPRAY en la posición SPRAY.
- Gire el mando de control de presión en el sentido de las agujas del reloj hasta su posición máxima. La manguera de pintura debería ponerse rígida a medida que el material comienza a circular por ella.
- Desbloquee el gatillo de la pistola girando el interruptor de modo que quede paralelo a la empuñadura.
- Apriete el gatillo de la pistola pulverizadora para purgar el aire de la manguera.
- Cuando llegue el material a la boquilla, pulverice una zona de prueba para comprobar el patrón de pulverización.
- Use la posición de presión mínima necesaria para obtener un buen patrón de pulverización. Si se ajusta una presión demasiado alta, el patrón de pulverización será demasiado fino. Si la presión es demasiado baja, la pintura formará regueros o burbujas en lugar de lograr una pulverización adecuada.

Patrón de pulverización correcto

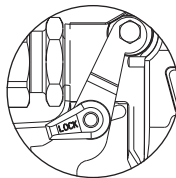
Patrón con regueros de pintura

Limpieza

Almacenamiento durante la noche

Apagado

- Gire el mando de control de presión en el sentido contrario a las agujas del reloj hasta la posición mínima.
- Coloque la válvula PRIME/SPRAY (cebar/pulverizar) en la posición PRIME para liberar la presión del sistema.
- Accione la pistola para eliminar la presión que pueda quedar en la manguera.
- Bloquee el gatillo girando el seguro hacia delante hasta su tope.
- Ponga el interruptor de encendido/apagado del motor en la posición OFF (apagado) y desenchufe el pulverizador.
- Solamente con pintura al látex, añada media taza de agua lentamente encima de la pintura para evitar que se seque. Con otros materiales, selle el recipiente o la tolva de pintura (con la tapa de la tolva) manteniendo el tubo de retorno en el material.



Gatillo bloqueado (la pistola no pulveriza)



- Envuelva la pistola pulverizadora en un paño húmedo y colóquela en una bolsa de plástico. Cierre bien la bolsa.
- Coloque el pulverizador en un lugar seguro lejos de la luz solar si lo va a almacenar durante un período corto de tiempo.

Puesta en marcha

- Saque la pistola de la bolsa de plástico.
- Remueva el agua en la pintura en caso de que ésta sea al látex. Retire la tapa de la tolva de pintura o del recipiente con el material y remueva la pintura para mezclarla con los demás materiales.
- Asegúrese de que la válvula PRIME/SPRAY (cebar/pulverizar) está en la posición PRIME y que la presión se ha reducido completamente.
- Enchufe el pulverizador y coloque el interruptor de encendido/apagado en la posición ON (encendido).
- Tras la imprimación, gire la válvula PRIME/SPRAY a la posición SPRAY y gire gradualmente el mando de control en el sentido de las agujas del reloj para aumentar la presión.
- Pruebe el pulverizador sobre una pieza de prueba y empiece a pulverizar.



Almacenamiento durante mucho tiempo

⚠ ADVERTENCIA

No permita que se acumule el material en el motor o éste se sobrecalentará. No permita que entren en contacto disolventes inflamables con el motor o podrían incendiarse.

NOTA: Necesitará un cubo, una solución de limpieza, un cepillo de dientes, una llave y trapos para limpiar.

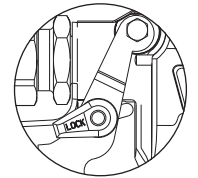
⚠ PRECAUCIÓN

No use alcohol mineral ni diluyentes de pintura ni pintura al látex, o la mezcla se convertirá en una sustancia pegajosa difícil de eliminar.

Limpieza de la tolva de pintura

Use el siguiente procedimiento para limpiar el material de la tolva de pintura.

- Bloquee el gatillo de la pistola girando el seguro hacia delante hasta su tope.
- Gire el mando de control de presión en el sentido contrario a las agujas del reloj hasta la posición mínima.
- Coloque la válvula PRIME/SPRAY (cebar/pulverizar) en la posición PRIME.
- Coloque el interruptor de encendido/apagado en la posición OFF (apagado).
- Dirija el tubo de retorno hacia el interior del recipiente del material original.
- Coloque el interruptor encendido/apagado del motor en la posición ON.
- Gire el mando de control de presión hasta la mitad de la presión máxima. Así se eliminará el material restante de la tolva de pintura por la bomba, hacia arriba por el tubo de retorno hasta el recipiente con el material.
- Gire el mando de control de presión en el sentido contrario a las agujas del reloj hasta la posición de presión mínima.
- Apriete el gatillo de la pistola para liberar presión y bloquee la pistola.
- Retire la boquilla pulverizadora y el protector y colóquelos en un recipiente con agua o un disolvente adecuado para el tipo de material con el que esté pintando.
- Rellene la tolva de pintura con agua o con un disolvente adecuado para el tipo de material con el que esté pintando.
- Dirija el tubo de retorno hacia el cubo de residuos.
- Aumente la temperatura hasta la mitad de la presión máxima. Deje que el agua o el disolvente circulen durante 2-3 minutos para expulsar el material de la bomba, la tolva de pintura y el tubo de retorno.

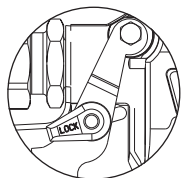


Gatillo bloqueado (la pistola no pulveriza)

Limpeza del conjunto de aspiración

Use el siguiente procedimiento para limpiar el material del tubo de aspiración de un conjunto de aspiración.

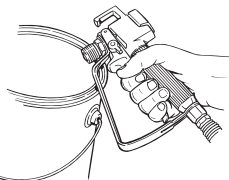
1. Gire el mando de control de presión en el sentido contrario a las agujas del reloj hasta la posición mínima.
2. Coloque la válvula PRIME/SPRAY (cebar/pulverizar) en la posición PRIME.
3. Coloque el interruptor de encendido/apagado en la posición OFF (apagado).
4. Espere un par de segundos, después apriete el gatillo con la pistola apuntando hacia el recipiente con el material para liberar la presión de fluido acumulada desde la bomba.
5. Bloquee el gatillo de la pistola girando el seguro hacia delante hasta su tope.
6. Retire la manguera de aspiración del material y manténgala sobre un cubo de agua o disolvente. Deje la manguera de retorno en el recipiente con el material.
7. Coloque el interruptor encendido/apagado del motor en la posición ON.
8. Gire el mando de control de presión hasta la mitad de la presión máxima. Así se eliminará el material restante del tubo de aspiración a través la bomba, por el tubo de retorno hasta el recipiente del material.
9. Gire el mando de control de presión en el sentido contrario a las agujas del reloj hasta la posición mínima.
10. Ponga el tubo de aspiración y la manguera de aspiración en el recipiente con agua o un disolvente adecuado.
11. Retire la boquilla pulverizadora y el protector y colóquelos en un recipiente con disolvente adecuado.
12. Aumente la temperatura hasta la mitad de la presión máxima. Deje que el agua o el disolvente circulen durante 2-3 minutos para expulsar la pintura de la bomba, el tubo de aspiración y la manguera de retorno.



Gatillo bloqueado (la pistola no pulveriza)

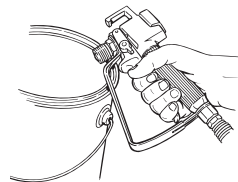
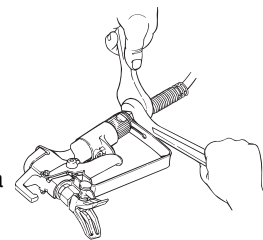
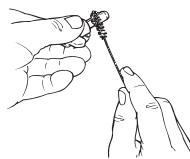
Limpeza de la manguera de pintura

1. Para guardar el material que queda en la manguera, quite el seguro del gatillo de la pistola y apriete con cuidado el gatillo con la boquilla pulverizadora quitada hacia el interior del recipiente con el material.
2. Gire el mando de control de presión en el sentido contrario a las agujas del reloj hasta la posición de presión mínima.
3. Coloque la válvula PRIME/SPRAY (cebar/pulverizar) en la posición SPRAY.
4. Gire el mando de control de presión lentamente hasta que empiece a circular material hasta el cubo. Tan pronto como el agua o el disolvente comience a caer en el cubo, suelte el gatillo.
5. Ponga agua o disolvente limpios, apunte con la pistola hacia el lateral del cubo de residuos y deje que circule el líquido durante otros 5 minutos para limpiar a fondo la manguera, la bomba y la pistola pulverizadora.
6. Gire el mando de control de presión en el sentido contrario a las agujas del reloj hasta la posición mínima.
7. Coloque la válvula PRIME/SPRAY (cebar/pulverizar) en la posición PRIME.
8. Apriete el gatillo de la pistola para eliminar cualquier presión que pudiera permanecer en la manguera.
9. Bloquee el gatillo de la pistola girando el seguro hacia delante hasta su tope.
10. Coloque el interruptor de encendido/apagado en la posición OFF (apagado).
11. Tape el recipiente del material y apártelo.



Limpeza de la pistola

1. Retire la pistola pulverizadora de la manguera de pintura usando dos llaves inglesas.
2. Retire el soporte del filtro de la pistola. Coloque la pistola y el conjunto del filtro a remojo en un recipiente con agua o disolvente.
3. Limpie la boquilla pulverizadora y el filtro de la pistola con un cepillo suave.
4. Vuelva a montar la pistola y el filtro. Monte la boquilla pulverizadora en la posición de limpieza con la flecha apuntando hacia la parte trasera de la pistola.
5. Acople la manguera de pintura a la pistola y apriete usando dos llaves.
6. Coloque el interruptor encendido/apagado del motor en la posición ON.
7. Desbloquee el gatillo de la pistola girando el seguro de modo que quede paralelo a la empuñadura de la pistola.
8. Coloque la válvula PRIME/SPRAY (cebar/pulverizar) en la posición SPRAY y apunte con la pistola hacia el lateral del cubo de residuos.
9. Apriete el gatillo de la pistola y gire gradualmente el mando de control de presión en el sentido de las agujas del reloj hasta media presión. Continúe pulsando el gatillo de la pistola durante aproximadamente 30 segundos.
10. Gire el mando de control de presión en el sentido contrario a las agujas del reloj hasta la posición mínima.
11. Coloque la válvula PRIME/SPRAY en la posición PRIME.
12. Apriete el gatillo de la pistola para eliminar cualquier presión que pudiera permanecer en la manguera.
13. Bloquee el gatillo de la pistola girando el seguro hacia delante hasta su tope.
14. Coloque el interruptor de encendido/apagado en la posición OFF (apagado).

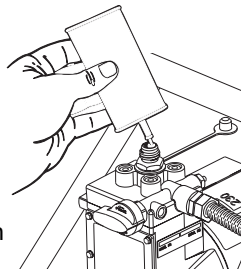


Limpeza final

1. Retire el montaje de la boquilla.
2. Ponga el motor en la posición ON.
3. Coloque la válvula PRIME/SPRAY (cebar/pulverizar) en la posición SPRAY.
4. Gire el mando de control de presión en el sentido de las agujas del reloj hasta la mitad de la potencia.
5. Apriete el gatillo de la pistola apuntando hacia el cubo de limpieza hasta que la tolva o el cubo de disolvente estén vacíos.
6. Vuelva a llenar la tolva o el cubo de disolvente y continúe enjuagando el sistema hasta que la solución que salga de la pistola parezca limpia.
7. Bloquee la pistola y gire el mando de control de presión en el sentido contrario a las agujas del reloj hasta la posición mínima.
8. Coloque la válvula PRIME/SPRAY en la posición PRIME.
9. Retire la tolva o el conjunto de aspiración de la válvula de entrada.
10. Limpie las roscas de la válvula de entrada con un paño húmedo.
11. Llene la válvula de entrada con un aceite doméstico suave.

- Coloque la válvula PRIME/SPRAY en la posición SPRAY para distribuir el aceite.

NOTA: La limpieza y engrasado adecuados de la bomba tras su uso son las medidas más importantes que puede tomar para garantizar un funcionamiento correcto tras su almacenaje.



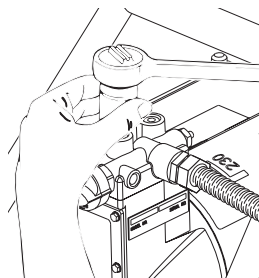
- Gire el mando de control de presión en el sentido contrario a las agujas del reloj hasta la posición mínima.
- Coloque la válvula PRIME/SPRAY (cebar/pulverizar) en la posición PRIME.
- Accione la pistola para eliminar la presión que pueda quedar en la manguera.
- Bloquee el gatillo de la pistola girando el seguro hacia delante hasta su tope.
- Coloque el interruptor de encendido/apagado en la posición OFF (apagado).
- Retire el filtro de la tolva y lávelo con agua limpia o con un disolvente adecuado. Use un cepillo suave.
- Devuelva el filtro de la tolva a su posición en la tolva.
- Vuelva a colocar la tolva o el conjunto de aspiración en la válvula de entrada.
- Limpie toda la unidad, la manguera y la pistola con un paño húmedo para eliminar el material acumulado.

Mantenimiento

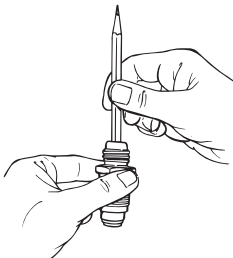
Siga estos pasos cuando se encuentre con problemas indicados en el apartado de resolución de problemas.

Desmontaje y limpieza de las válvulas de entrada

- Realice el Procedimiento para liberar presión, apague y desenchufe la unidad.
- Desmonte el conjunto de la válvula de entrada con una llave tubular o llave de cazoleta de 27 milímetros.
- Compruebe el movimiento de la válvula presionando sobre ella desde el extremo abierto del alojamiento de la válvula con un destornillador o con el extremo de la goma de un lápiz. Debería moverse 0,15 mm (1/16 de pulgada) aproximadamente. Si no se mueve, deberá limpiarla o sustituirla.



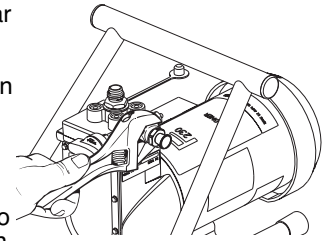
NOTA: La válvula de entrada debe engrasarse después de cada trabajo. Así se reducirán o eliminarán los problemas de cebado la próxima vez que se use el pulverizador.



- Limpie a fondo el conjunto de la válvula con agua o con un disolvente adecuado. Use un cepillo pequeño.
- Si se ha limpiado la válvula correctamente y continúan cayendo gotas de agua por la parte inferior, es que la válvula está desgastada y debe sustituirse. Si llena de agua una válvula bien fijada y la coloca en posición vertical, no goteará.
- Instale una válvula nueva o limpia en el bloqueo de la bomba y después llene la válvula con un aceite o un disolvente suave.

Desmontaje y limpieza de la válvula de salida

Quizás sea necesario desmontar y limpiar la válvula de salida o sustituir algunas piezas interiores de la válvula que estén desgastadas por el uso.



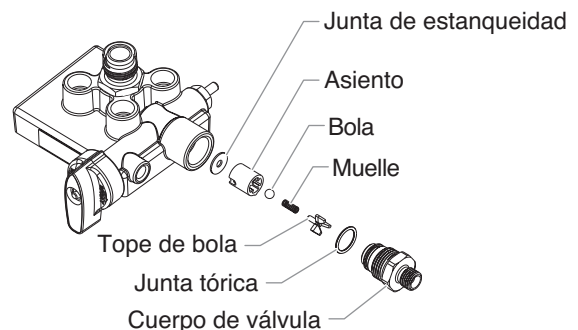
- Quite la válvula de entrada con una llave.
- Desmonte y limpie el tope de bola y el muelle pequeño del interior de la válvula con un gancho de alambre o con unas pinzas. Sustituya el muelle si está roto o desgastado.

NOTA: El muelle se ha fabricado para una tensión muy concreta. No lo sustituya por un modelo no autorizado. Consulte el diagrama de las piezas de montaje de la bomba de pintura para saber el número de la pieza de repuesto.

- Desmonte el asiento y el conjunto de la bola.
- Limpie todas las piezas a fondo. Si la bola o el asiento muestran algún signo de desgaste o de daño, sustitúyalos por piezas nuevas. Esta bola de carburo debe cerrarse de forma hermética contra su asiento para que la válvula funcione correctamente.
- Cubra todas las piezas con una fina capa de aceite ligero antes de volver a montarlas.

NOTA: Debe alinear el saliente del asiento con la ranura en el soporte de la bomba al volver a montarla.

- Meta la bola de la válvula.
- Inserte el tope de bola y el muelle y sustituya el cuerpo de la válvula. Asegúrese de que la junta tórica esté bien puesta y que la lengüeta de la tapa encaje dentro del muelle.
- Apriete el cuerpo de la válvula firmemente con una llave inglesa. No lo apriete demasiado.



Limpieza de la malla de la tolva

Es posible que la malla al fondo de la tolva de pintura deba limpiarse periódicamente. Compruébelo cada vez que añada pintura. Quite la malla tirando de la tolva hacia fuera con unos alicates. Limpie la malla con agua o disolvente y con un cepillo de cerdas suaves, si fuera necesario.



Resolución de problemas

Problema

El pulverizador no se pone en marcha.

Causa

1. El pulverizador no está conectado.
2. El interruptor de encendido/apagado está en la posición OFF.
3. La tensión del enchufe de la pared es muy baja o nula.
4. Alguien apagó el pulverizador mientras aún estaba sometido a presión.
5. El cable alargador está dañado o tiene una capacidad demasiado baja.
6. Se ha producido una sobrecarga térmica en el pulverizador.
7. Hay un problema con el motor.

Solución

1. Enchufe el pulverizador.
2. Coloque el interruptor de encendido/apagado en la posición ON.
3. Compruebe la tensión de la fuente de alimentación.
4. Coloque la válvula PRIME/SPRAY (cebar/pulverizar) en la posición PRIME.
5. Sustituya el cable alargador.
6. Deje enfriar el motor y coloque el pulverizador en un lugar más fresco.
7. Lleve el pulverizador a un centro de servicio autorizado de Wagner.

El pulverizador se pone en marcha pero no tira pintura cuando la válvula PRIME/SPRAY (cebar/pulverizar) está en la posición PRIME.

1. La unidad no se cebará correctamente o ha perdido calidad.
2. La tolva de pintura está vacía.
3. El filtro de la tolva está atascado.
4. La válvula de entrada está atascada.
5. La válvula de salida está atascada.
6. La válvula PRIME/SPRAY (cebar/pulverizar) está taponada.
7. La válvula de entrada está desgastada o dañada.
8. Hay un problema con el diafragma.
9. El nivel de aceite hidráulico es bajo o nulo.

1. Trate de cebar de nuevo la unidad.
2. Llene la tolva con pintura.
3. Limpie el filtro de la tolva.
4. Limpie la válvula de entrada.
5. Limpie la válvula de salida y sustituya las piezas desgastadas.
6. Lleve el pulverizador a un centro de servicio autorizado de Wagner.
7. Sustituya la válvula de entrada.
8. Lleve el pulverizador a un centro de servicio autorizado de Wagner.
9. Lleve el pulverizador a un centro de servicio autorizado de Wagner.

El pulverizador tira pintura pero la presión descende al apretar el gatillo de la pistola.

1. La boquilla pulverizadora está desgastada.
2. El filtro de la tolva está atascado.
3. La pistola o la boquilla pulverizadora están taponadas.
4. La pintura es demasiado pesada o espesa.
5. El conjunto de la válvula de salida está sucio o desgastado.
6. El conjunto de la válvula de entrada está sucio o desgastado.

1. Sustituya la boquilla pulverizadora por otra nueva.
2. Limpie el filtro de la tolva.
3. Limpie o sustituya el filtro convenientemente. Tenga siempre filtros adicionales a mano.
4. Diluya o filtre la pintura.
5. Limpie o sustituya el conjunto de la válvula de salida.
6. Sustituya la válvula de entrada.

El pulverizador no se apaga.

1. La bola o el asiento de bola de las válvulas de entrada o de salida están desgastados.
2. Se ha acumulado pintura o algún material extraño entre la bola y el asiento.

1. Lleve el pulverizador a un centro de servicio autorizado de Wagner.
2. Lleve el pulverizador a un centro de servicio autorizado de Wagner.

La pistola pulverizadora tiene fugas.

1. Las piezas internas de la pistola están desgastadas o sucias.

1. Lleve el pulverizador a un centro de servicio autorizado de Wagner.

El conjunto de la boquilla tiene fugas.

1. La boquilla no se ha montado correctamente.
2. Hay una junta de estanqueidad desgastada.

1. Compruebe el conjunto de la boquilla y móntelo correctamente.
2. Sustituya la junta de estanqueidad.

La pistola pulverizadora no pulveriza.

1. La boquilla pulverizadora, el filtro de la pistola o el filtro de la boquilla están taponados.
2. La boquilla pulverizadora está en la posición CLEAN (limpieza).

1. Limpie la boquilla pulverizadora, el filtro de la pistola o el filtro de la boquilla.
2. Coloque la boquilla en la posición SPRAY (pulverizar).

El patrón de pintura forma regueros.

1. La presión ajustada es demasiado baja.
2. La pistola, la boquilla pulverizadora o el filtro de la tolva están taponados.
3. La boquilla está desgastada.
4. La pintura es demasiado espesa.

1. Aumente la presión.
2. Limpie los filtros.
3. Sustituya la boquilla pulverizadora.
4. Diluya la pintura.

Se ha producido una sobrecarga térmica que hizo que el pulverizador se apagase.

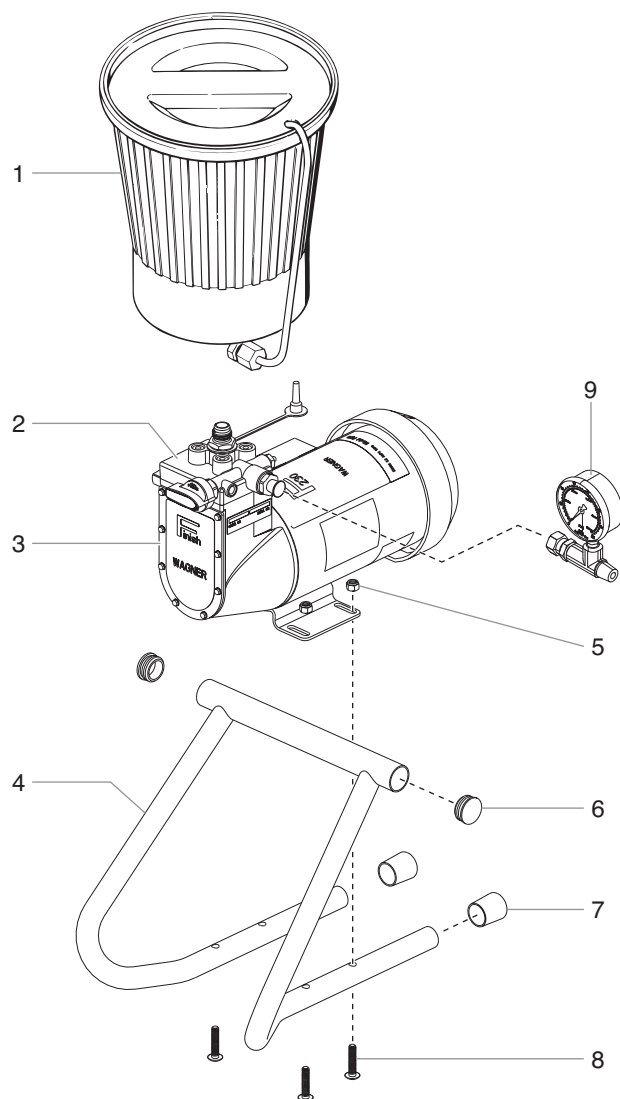
1. El motor se ha sobrecalentado.
2. El cable alargador es demasiado largo o el calibre es demasiado bajo.
3. Se ha acumulado pintura en el motor.
4. Se arrancó el motor mientras el pulverizador estaba sometido a presión.
5. El pulverizador se ha dejado expuesto al sol.

1. Déjela enfriar durante 30 minutos.
2. Déjela enfriar durante 30 minutos y sustituya el cable alargador por otro más corto o con un calibre más grueso.
3. Limpie la pintura del motor.
4. Reinicie el pulverizador en el modo PRIME (cebar).
5. Aparte el pulverizador del sol.

NOTA: Cuando la válvula PRIME/SPRAY (cebar/pulverizar) esté en la posición SPRAY y circule material a través del tubo de retorno, retire la válvula PRIME/SPRAY y límpiela o sustitúyala.

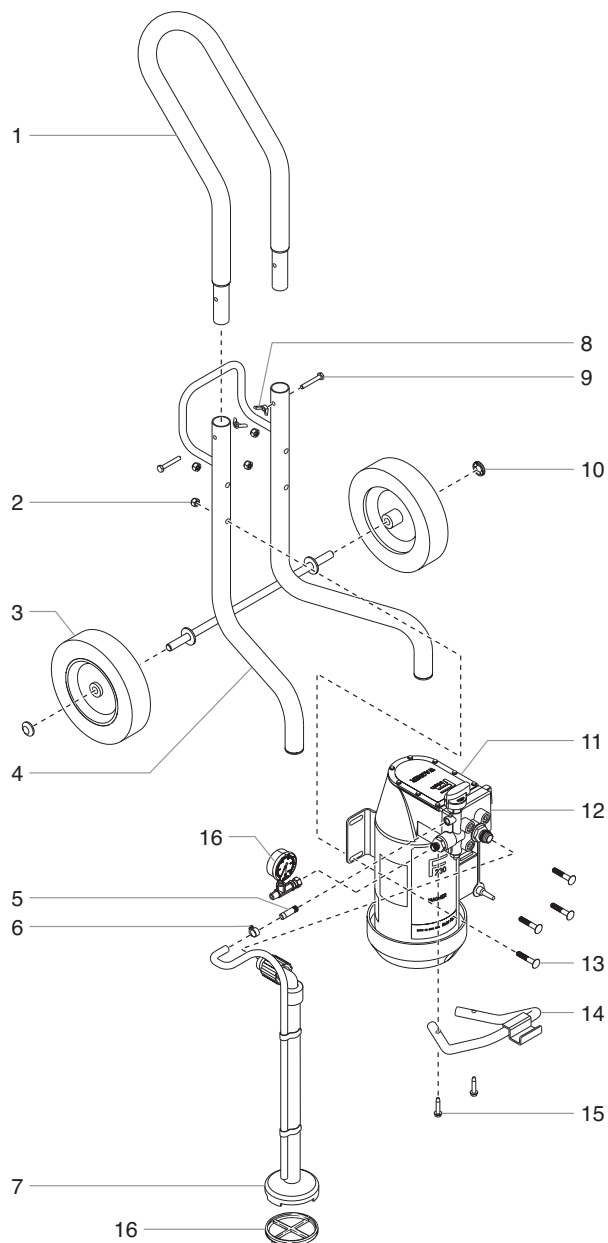
NOTA: El motor eléctrico debe mantenerse siempre limpio y seco. La pintura actúa como aislante. Demasiada pintura en el motor puede producir un sobrecalentamiento del mismo.

Lista de piezas Conjunto principal – Unidad de la tolva



Artículo	N.º de pieza	Descripción	Cantidad
1	0288144	Conjunto de la tolva	1
2	-----	Conjunto del cabezal de la bomba.....	1
3	0281118	Bomba de diafragma, 220–240 V CA..	1
	0311200	Bomba de diafragma, 100–120 V CA	
4	0278310	Soporte.....	1
5	9811122	Contratuercas.....	4
6	0294635	Tapón.....	2
7	0270343	Tapa del tubo.....	2
8	9805213	Tornillo de cabeza de hongo	4
9	0508239	Manómetro (si corresponde)	1

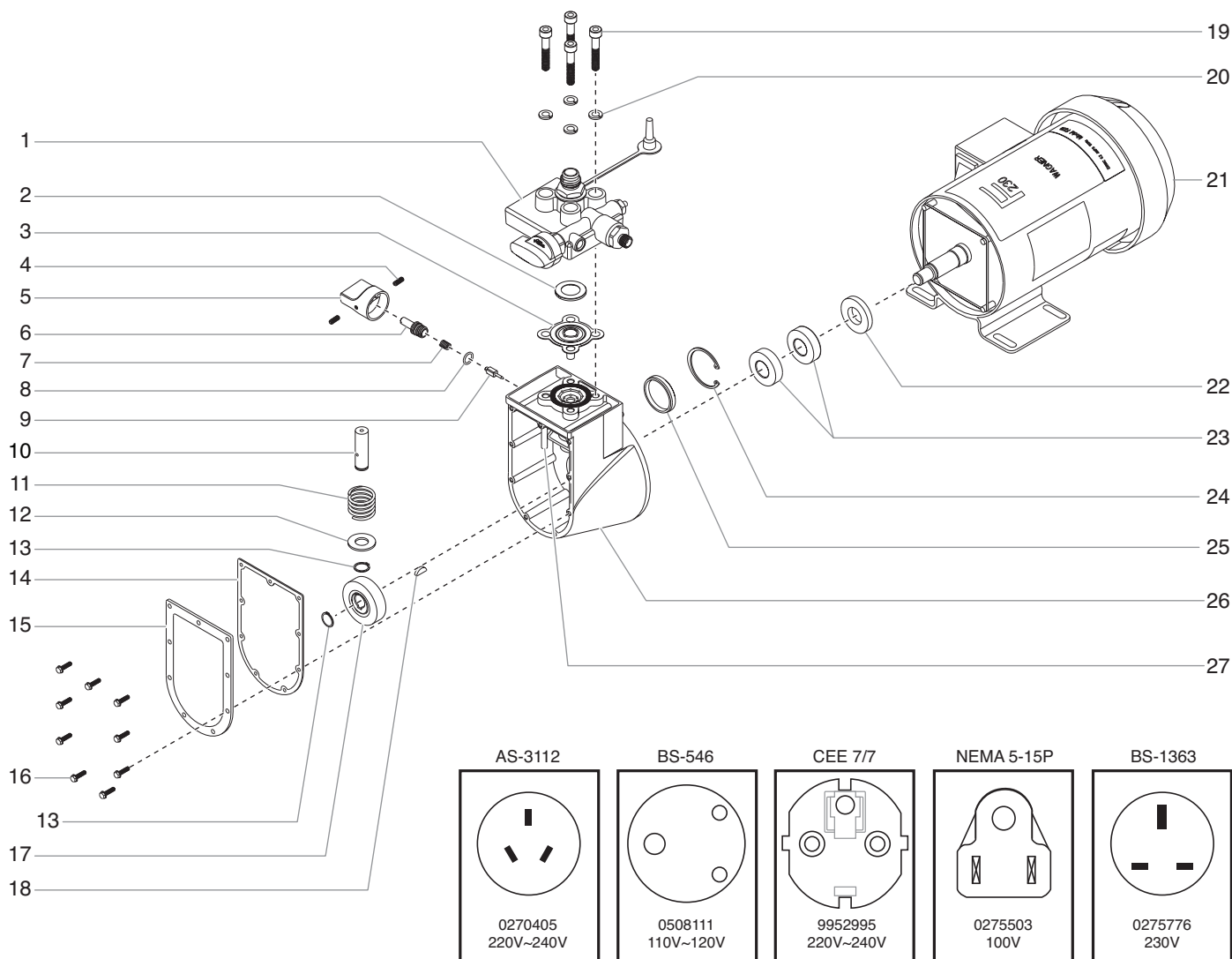
Conjunto principal – Unidad del conjunto de aspiración



Artículo	N.º de pieza	Descripción	Cantidad
1	0508251	Asidero	1
2	9811122	Contratuercas.....	4
3	0512396	Rueda.....	2
4	0508255	Cuadro.....	1
5	0088715	Racor de la manguera de retorno	1
6	0327226	Abrazadera de la manguera de retorno	
7	0278147	Conjunto de aspiración (incluye el elemento 16)	1
8	9810111	Tuerca de mariposa	2
9	9800108	Tornillo	2
10	9810113	Tapa del eje	2
11	0555126	Bomba de diafragma, 220–240 V CA..	1
	0311200	Bomba de diafragma, 100–120 V CA	
12	-----	Conjunto del cabezal de la bomba.....	1
13	9802533	Tornillo de cabeza de hongo	4
14	0278364	Gancho para cubos	1
15	9802519	Tornillo	2
16	0270369	Filtro	1
17	0508239	Manómetro (si corresponde)	1

Bomba de diafragma

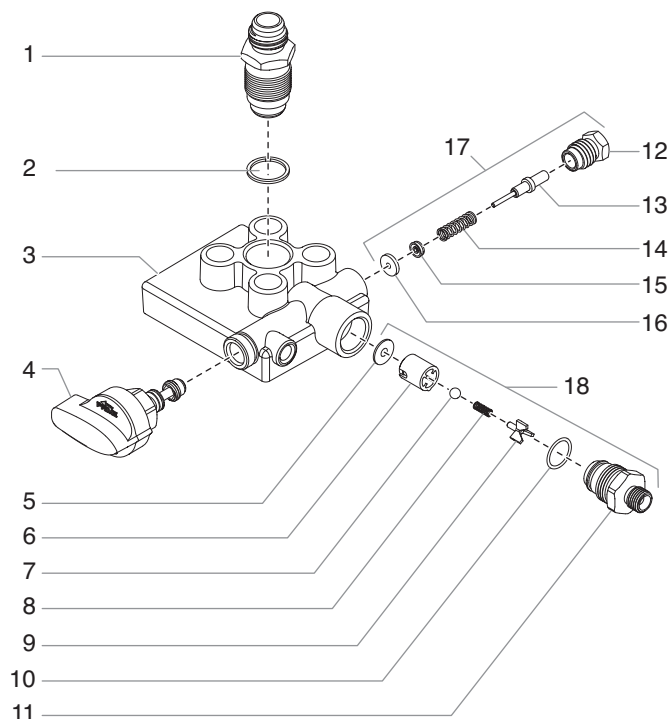
(P/N 0555126 / 220–240 V CA o P/N 0311200 / 100–120 V CA)



Artículo	N.º de pieza	Descripción	Cantidad
1	0311215	Cabezal de la bomba	1
2	0270494	Aro del diafragma	1
3	0270201	Diafragma	1
4	9801109	Tornillo de ajuste	2
5	0288775	Mando de control de presión	1
6	0270529	Vástago de válvula	1
7	0047373	Muelle regulador de la presión.....	1
8	0089518	Junta tórica.....	1
9	0089475	Aguja de la válvula de presión.....	1
10	0278345	Pistón hidráulico	1
11	0005311	Muelle del pistón	1
12	0270550	Arandela del pistón	1
13	0047393	Retenedor.....	2
14	0278359	Junta.....	1
15	0278341	Tapa hidráulica	1
16	9800049	Tornillo	9
17	0090031	Conjunto de cojinete y manguito excéntrico	1
18	0089829	Chaveta del eje	1

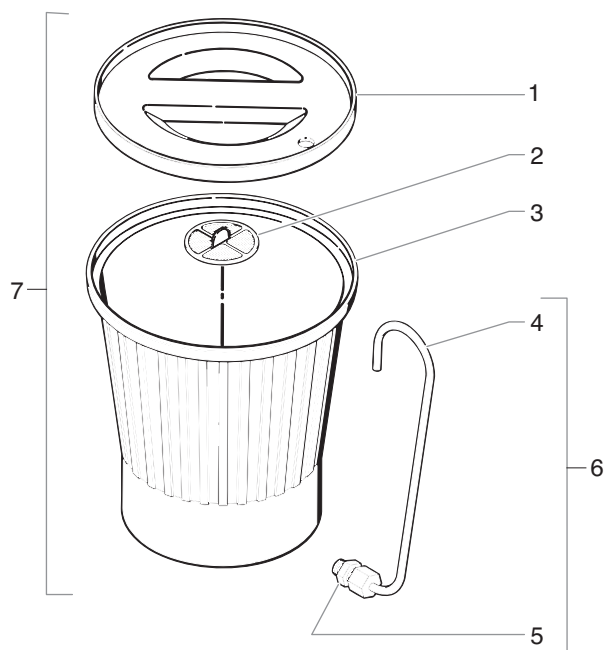
Artículo	N.º de pieza	Descripción	Cantidad
19	9900355	Tornillo con hueco hexagonal en la cabeza (Esfuerzo de torsión 20.3 Nm)	4
20	9921601	Arandela de seguridad	4
21	0508295	Motor, 220–240 V CA, conjunto de aspiración (incluye elementos 28 y 29)	1
	0281117	Motor, 220–240 V CA, tolva (incluye elementos 28 y 29)	1
	0278469	Motor, 100–120 V CA (incluye elementos 28 y 29)	1
22	0270524	Junta de estanqueidad	1
23	0270490	Cojinete de bolas	2
24	0311400	Anillo elástico	1
25	9870117	Junta taponadora	1
26	0278238	Conjunto del alojamiento hidráulico (incluye elementos 22–25)	1
27	0278387	Conector	1
28	0270462	Ventilador (no se muestra)	1
29	0270612	Tapa del ventilador (no se muestra)... Cable de alimentación (no se muestra, véase más arriba)	1

Conjunto del cabezal de la bomba



Artículo	N.º de pieza	Descripción	Cantidad
1	0278242	Conjunto de la válvula de entrada (incluye el elemento 2).....	1
2	0089482	Arandela de obturación, nylon	1
3	0278334	Bomba de pintura	1
4	0555901	Conjunto de la válvula PRIME/SPRAY	1
5	0278362	Junta de estanqueidad de salida	1
6	0278241	Asiento de bola	1
7	0093635	Bola	1
8	0047485	Muelle de salida	1
9	0278361	Guía de bola.....	1
10	9871114	Junta tórica.....	1
11	0278335	Racor de salida	1
12	0278337	Cuerpo del empujador.....	1
13	0278250	Conjunto del vástago del empujador...1	
14	0278368	Muelle del empujador	1
15	0156646	Junta de estanqueidad.....	1
16	0278340	Arandela del empujador	1
17	0508199	Conjunto del empujador (incluye los elementos 12 – 16)	
18	0508198	Válvula de salida (incluye los elementos 5 – 11)	

Conjunto de la tolva



Artículo	N.º de pieza	Descripción	Cantidad
1	0279591	Tapa de la tolva	1
2	0089917	Malla de filtro fina (mostrada)	1
	0088871	Malla de filtro gruesa	
3	0524443	Tolva	1
4	0093865	Tubo de retorno	1
5	0403309	Racor	1
6	0090560	Conjunto del tubo de retorno (incluye los elementos 4 y 5)	1
7	0288144	Tolva completa (incluye los elementos 1 – 6)	1

Indice

Avvertenze per la sicurezza	50
Descrizione generale	52
Specifiche	52
Preparazione per la verniciatura.....	52
Innesco della pompa.....	53
Preparazione per l'innesco della pompa	53
Montaggio del serbatoio di vernice.....	53
Collegare il dispositivo di aspirazione	53
Innesco della pompa	53
Procedura di rilascio della pressione	54
Spruzzatura.....	54
Pulizia	55
Manutenzione	57
Localizzazione ed eliminazione dei problemi.....	58
Elenco componenti	59
Blocco principale — Unità serbatoio	59
Blocco principale — Unità dispositivo di aspirazione	59
Pompa a membrana	60
Blocco della testa della pompa.....	61
Blocco del serbatoio	61

Avvertenze per la sicurezza

Il presente manuale contiene informazioni che devono essere lette e capite prima di utilizzare l'apparecchio. Ogni volta che si trova uno dei seguenti simboli si prega di prestare molta attenzione e di rispettare le norme di sicurezza.



Questo simbolo indica un potenziale rischio di lesioni gravi o morte. Seguono importanti avvertenze per la sicurezza.



Questo simbolo indica un potenziale rischio per sé stessi o per l'apparecchio. Seguono importanti avvertenze per la sicurezza per evitare danni all'apparecchio e prevenire le cause di lesioni minori.

NOTA: Le note contengono informazioni importanti, si raccomanda di prestare particolare attenzione.



L'unità è equipaggiata con un dispositivo di ripristino automatico protetto termicamente. In caso di sovraccarico il dispositivo scollega il motore dall'alimentazione.

- Il motore si riavvia senza avviso quando il dispositivo di protezione esegue il ripristino automatico.
- Scollegare sempre il motore dall'alimentazione prima di intervenire sull'apparecchio.
- Quando il dispositivo di ripristino automatico protetto termicamente scollega il motore dall'alimentazione, rilasciare la pressione ruotando la valvola di innesco su PRIME (INNESCO POMPA).
- Ruotare l'interruttore ON/OFF su OFF.



PERICOLO: Lesione da iniezione: il flusso liquido ad alta pressione prodotto dall'apparecchio può lacerare la pelle ed i tessuti sottostanti, provocando una lesione grave o perfino l'amputazione.



NON TRATTARE UNA LESIONE DA INIEZIONE COME UN SEMPLICE TAGLIO! L'iniezione può provocare l'amputazione. Consultare immediatamente il medico.

Il massimo livello di funzionamento dell'unità è una pressione del flusso di 20,7 MPa (3000 psi).

PREVENZIONE:

- MAI puntare la pistola contro nessuna parte del corpo.
- MAI toccare il flusso di liquido con nessuna parte del corpo. NON toccare una perdita del tubo di gomma.
- MAI mettere le mani davanti alla pistola. I guanti non offrono alcuna protezione contro una lesione da iniezione.
- Mettere SEMPRE la sicura al grilletto della pistola, chiudere la pompa e rilasciare tutta la pressione prima della manutenzione, della pulizia della punta o del dispositivo di sicurezza, prima di cambiare la punta o di lasciare l'apparecchio incustodito. La pressione non viene rilasciata spegnendo il motore. La valvola PRIME/SPRAY (SPRUZZA/SPRAY) o la valvola di sfogo della pressione devono essere ruotate nella posizione corretta per rilasciare la pressione del sistema. Fare riferimento alla PROCEDURA DI RILASCIO DELLA PRESSIONE descritta nel manuale.
- Tenere SEMPRE il dispositivo di sicurezza in posizione mentre si spruzza. Il dispositivo di sicurezza della punta offre una certa protezione, ma si tratta per la maggior parte di un dispositivo di avvertimento.
- Togliere SEMPRE la punta dello spray prima di lavare o pulire l'apparecchio.
- Il tubo per la verniciatura può avere delle perdite a causa dell'usura, di un nodo o dell'abuso. Una perdita può iniettare del materiale nella pelle. Controllare il tubo prima di ciascun utilizzo.
- MAI usare una pistola per spruzzare se la sicura del grilletto non funziona ed il dispositivo di sicurezza non è posizionato correttamente.
- Tutti gli accessori devono essere regolati secondo il livello massimo di pressione dello spruzzatore oppure al di sopra, inclusi le punte, le pistole, le prolunghie e il tubo.

NOTA PER IL MEDICO:

Un'iniezione sottopelle rappresenta una lesione traumatica. E' importante curare la lesione appena possibile. NON perdere tempo e intervenire subito secondo l'eventuale tossicità. Alcune vernici, se iniettate direttamente nel flusso di sangue, possono rivelarsi tossiche. Si consiglia di consultare un chirurgo plastico o specializzato nella ricostruzione della mano.

PERICOLO: ESPLOSIONE e INCENDIO. Le esalazioni del solvente e della vernice possono esplodere o prendere fuoco, provocando lesioni gravi o danni alle cose.

PREVENZIONE:

- Assicurarsi che ci siano scarichi e aria fresca in abbondanza per evitare l'accumulo di esalazioni infiammabili nell'aria dell'area di spruzzo.
- Evitare il contatto con fonti infiammabili come scintille di elettricità statica, apparecchi elettrici, fiamme, fiamme pilota, oggetti roventi e scintille provocate dalla connessione e disconnessione di fili elettrici o dagli interruttori accesi.
- Non fumare nell'area di spruzzo.
- L'estintore deve essere a disposizione e ben funzionante.
- Posizionare lo spruzzatore ad almeno 6,1 metri dall'oggetto da verniciare in una zona ben areata (aggiungere più tubo se necessario). Le esalazioni infiammabili spesso sono più pesanti dell'aria. L'area del terreno deve essere molto ben areata. La pompa contiene parti ad arco elettrico che provocano scintille e possono infiammare le esalazioni.
- L'apparecchio e gli oggetti dentro e intorno all'area di spruzzo devono essere messi a terra nel modo corretto per evitare scintille statiche.
- Usare soltanto tubi per liquidi ad alta pressione conduttivi o messi a terra. La pistola deve essere messa a terra attraverso collegamenti con il tubo.

- Il filo elettrico deve essere collegato ad un circuito messo a terra (solo per le unità elettriche).
- Lavare sempre l'unità in un apposito contenitore di metallo, a bassa pressione, togliendo la punta dello spruzzatore. Tenere ben ferma la pistola contro il lato del contenitore per metterlo a terra e per prevenire scintille statiche.
- Seguire le avvertenze e le istruzioni del costruttore per il materiale e il solvente.
- L'unità deve essere collegata ad un oggetto messo a terra. Utilizzare il cavo di messa a terra verde per collegare l'unità ad un tubo dell'acqua, ad una barra di acciaio o ad altre superfici messe a terra.
- Non usare materiali con un punto di infiammabilità inferiore a 21° C (70° F). Il punto d'infiammabilità è la temperatura a cui un fluido è in grado di produrre sufficienti esalazioni per prendere fuoco.
- La plastica può provocare scintille statiche. Non usare mai della plastica per delimitare l'area di spruzzo. Non usare indumenti impermeabili di plastica quando si spruzzano materiali infiammabili.
- Usare la pressione più bassa possibile per lavare l'apparecchio.

MOTORE A BENZINA (OVE DISPONIBILE)

Posizionare sempre lo spruzzatore all'esterno della struttura all'aria aperta. Tenere lontani tutti i solventi dallo scarico del motore. Non riempire mai il serbatoio della benzina con il motore acceso o caldo. Le superfici roventi possono infiammare la benzina versata. Collegare sempre il cavo messo a terra dalla pompa ad un oggetto messo a terra. Fare riferimento al manuale dell'utente del motore per tutte le avvertenze per la sicurezza.

PERICOLO: PERICOLO DI ESPLOSIONE DOVUTO A MATERIALI INCOMPATIBILI. Può provocare lesioni gravi o danni alle cose.

PREVENZIONE:

- Non usare materiali contenenti candeggina o cloro.
- Non usare solventi contenenti idrocarburi alogenati come cloruro di metilene e 1,1,1 (tricloroetano). Essi non sono infatti compatibili con l'alluminio e potrebbero provocare un'esplosione. In caso di dubbi sulla compatibilità di un materiale con l'alluminio, contattare il fornitore della vernice.

PERICOLO: ESALAZIONI PERICOLOSE. Vernici, solventi, insetticidi ed altri materiali possono essere dannosi se inalati o toccati. Le esalazioni possono provocare nausea, svenimenti o avvelenamento.

PREVENZIONE:

- Usare una mascherina se esiste il rischio che le esalazioni vengano inalate. Leggere tutte le istruzioni fornite con la mascherina per assicurarsi che essa sia in grado di offrire la protezione necessaria.
- Indossare occhiali protettivi.
- Indossare indumenti protettivi secondo le indicazioni del fabbricante della vernice.

PERICOLO: GENERALE. Può provocare lesioni gravi o danni alle cose.

PREVENZIONE:

- Leggere tutte le istruzioni e le avvertenze di sicurezza prima di utilizzare l'apparecchio.
- Seguire tutte le normative corrette locali, statali e nazionali relative all'areazione, alla prevenzione degli incendi ed al funzionamento.
- Premendo il grilletto, la mano che tiene la pistola verrà sottoposta ad una forza di rinculo, che può essere particolarmente intensa nel caso in cui l'ugello sia stato tolto e la pompa airless sia stata impostata per ottenere una forte pressione. Occorre pertanto impostare la manopola di controllo alla pressione minore quando si esegue la pulizia senza l'ugello.

- Usare soltanto i componenti approvati dal fabbricante. L'utente si assume tutti i rischi e le responsabilità nel caso si scelga di utilizzare pezzi che non soddisfano i requisiti minimi ed i dispositivi di sicurezza del fabbricante della pompa.
- Prima dell'uso controllare tutti i tubi per verificare la presenza di tagli, perdite, abrasioni o rigonfiamenti del rivestimento. Verificare che gli accoppiamenti non siano danneggiati o che si muovano. Sostituire immediatamente il tubo se si verifica una delle condizioni appena descritte. Non riparare mai un tubo per verniciare. Sostituire con un tubo ad alta pressione messo a terra.
- Seguire SEMPRE le istruzioni del produttore del materiale per un uso sicuro della vernice e dei solventi.
- Non usare l'apparecchio nelle officine dove sono vigenti le norme per la prevenzione delle esplosioni.
- Quando si versa del materiale e del solvente pulire subito.
- Togliere sempre il filo elettrico dalla spina prima di lavorare sull'apparecchio (solo per le unità elettriche).
- Indossare una protezione acustica. L'unità può produrre livelli acustici superiori a 85 dB (A).
- Non lasciare mai l'apparecchio incustodito. Tenere lontano dalla portata dei bambini e delle persone che non sono in grado di utilizzare un apparecchio airless.
- Non spruzzare all'esterno in giorni ventosi.

Istruzioni per la messa a terra

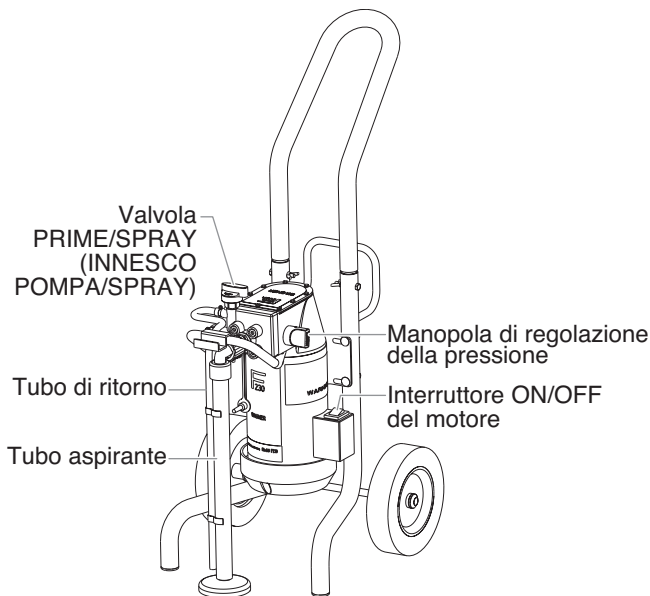
I modelli elettrici devono essere messi a terra. Nel caso di un cortocircuito elettrico, la messa a terra riduce il rischio di scossa elettrica grazie alla presenza di un cavo di scarico per la corrente elettrica. Questo prodotto è provvisto di un filo elettrico dotato di un cavo di messa a terra con una adeguata spina di messa terra. La spina deve essere inserita in una presa installata nel modo corretto e messa a terra in conformità con tutti i codici e le leggi locali.

PERICOLO: se la spina di messa a terra non è installata nel modo corretto c'è il rischio di scossa elettrica. Nel caso occorra riparare o sostituire il filo elettrico o la spina, non collegare il cavo di messa a terra verde ad una delle spine piatte dei capicorda. Il cavo di messa a terra è quello con l'isolamento con una superficie esterna verde, con o senza strisce gialle, e deve essere collegato alla spina di messa a terra.

Nel caso le istruzioni per la messa a terra non siano del tutto chiare, o se si hanno dei dubbi, verificare con un elettricista qualificato o con il personale dell'assistenza che il prodotto sia messo a terra nel modo corretto. Non apportare alcuna modifica alla spina fornita. Se la spina non è adatta alla presa, far installare la presa adatta da un elettricista qualificato.

Descrizione generale

Lo spruzzatore airless ad alte prestazioni è un utensile elettrico di precisione ideale per spruzzare molti tipi di materiale. Leggere e seguire attentamente il presente manuale di istruzioni per un funzionamento, una manutenzione e per informazioni sulla sicurezza corretti.



Specifiche

Peso:

Unità serbatoio.....17 kg (37 libbre)

Unità dispositivo di aspirazione.....20 kg (44 libbre)

CapacitàFino a 1,25 litri (0,35 galloni) al minuto

Fonte di energiaMotore elettrico, totalmente sigillato, autoventilato

Tensione220–240 V CA, 50/60 Hz, 6,2 A o 100–120 V CA, 50/60 Hz, 11,0 A

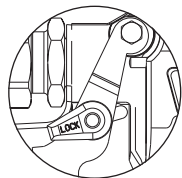
Pressione di spruzzo.....Fino a 20,7 MPa (3000 PSI)

Abilità.....Gli spruzzatori consentono l'utilizzo di un'ampia gamma di pitture ad olio e idropitture, smalti di fondo e mordenti

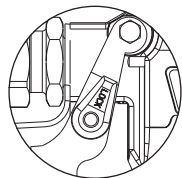
Preparazione per la verniciatura

Collegare l'ugello alla pistola

1. Mettere la sicura al grilletto ruotandola in avanti finché non si arresta.



Sicura inserita
(la pistola non può spruzzare)



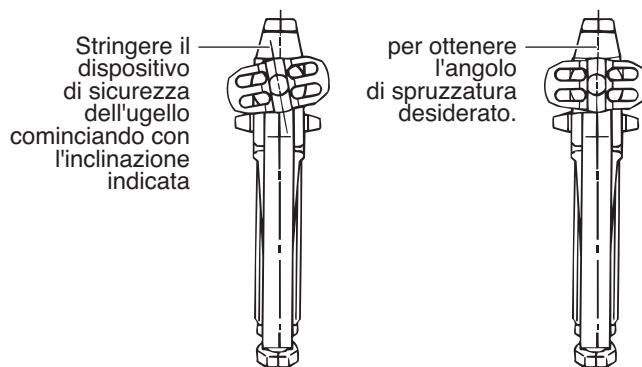
Sicura disinserita
(la pistola può spruzzare)

ATTENZIONE

POSSIBILE PERICOLO DI INIEZIONE. Non spruzzare se il dispositivo di sicurezza dell'ugello non si trova nella posizione corretta. Mai azionare la pistola se l'ugello non si trova in posizione di spruzzo o sbloccato. Inserire sempre la sicura della pistola prima di togliere, sostituire o pulire l'ugello.

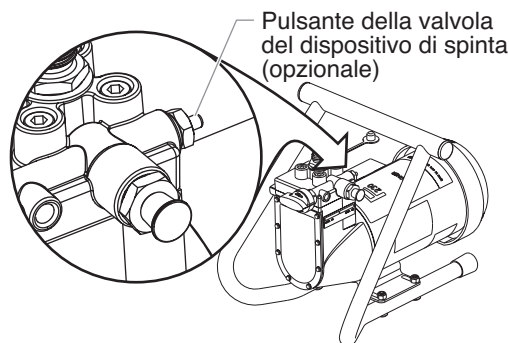
2. Infilare il dispositivo di sicurezza dell'ugello sulla pistola. Stringere il dado prima manualmente, poi stringere bene con una chiave.

NOTA: Quando si attacca il dispositivo di sicurezza dell'ugello alla pistola, allinearli come indicato nella figura sotto, quindi stringere con una chiave.



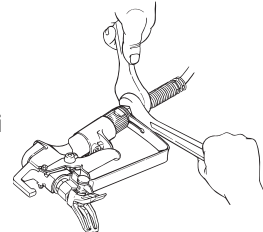
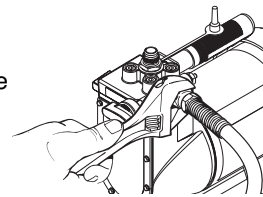
Controllo della valvola di scarico (opzionale)

1. Premere con forza il pulsante della valvola del dispositivo di spinta posizionato sul lato della scatola della pompa per assicurarsi che la valvola a sfera di scarico si muova liberamente.



Collegare il tubo di gomma per verniciatura

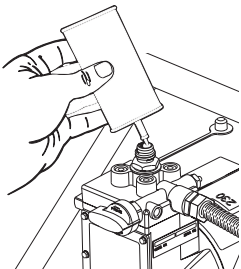
1. Collegare il tubo di gomma ad alta pressione allo spruzzatore. Utilizzare una chiave per stringere bene il tubo per verniciatura.
2. Collegare la pistola a spruzzo all'altra estremità del tubo di gomma ad alta pressione. Stringere bene il tubo alla pistola con due chiavi.
3. Collegare lo spruzzatore ad una presa adeguatamente messa a terra oppure ad una prolunga per servizio pesante messa a terra. Non utilizzare prolunghe superiori a 30 metri (100 piedi). Spruzzare lontano da fonti di energia e se necessario utilizzare un tubo di gomma più lungo, non più prolunghe. Utilizzare prolunghe almeno di calibro 16 per lunghezze fino a 15 metri (50 piedi), oppure di calibro da 12 a 14 per prolunghe lunghe da 15 a 30 metri (da 50 a 100 piedi).



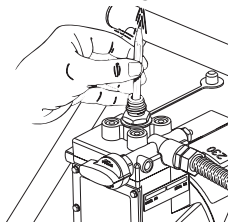
Innesco della pompa

Preparazione per l'innesco della pompa

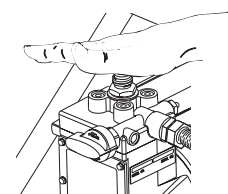
1. Riempire la valvola di aspirazione con acqua o con olio leggero per uso domestico.
2. Assicurarsi che la valvola PRIME/SPRAY (INNESCO POMPA/SPRAY) sia impostata su PRIME (INNESCO POMPA) e che la manopola di regolazione della pressione sia ruotata in senso antiorario e impostata al livello minimo.
3. Spostare l'interruttore ON/OFF del motore in posizione ON.
4. Aumentare la pressione ruotando la manopola di regolazione della pressione in senso orario di 1/2 giro.



5. Aprire e chiudere la valvola di aspirazione premendola con un cacciavite oppure con l'estremità di gomma di una matita. La valvola dovrebbe aprirsi e chiudersi di circa 1/16 di pollice (ca. 0,15 mm.). Continuare finché l'acqua o l'olio non vengono aspirati nello spruzzatore. In questo modo i componenti mobili verranno bagnati e i residui di vernice secca verranno eliminati.



6. Mettere il palmo della mano sopra l'apertura. Ruotare la manopola di regolazione della pressione in senso orario impostandola sul livello massimo. Si dovrebbe avvertire la valvola aspirare. In caso contrario consultare la sezione dedicata alla pulizia e alla manutenzione della valvola di scarico.
7. Ruotare la manopola di regolazione della pressione in senso antiorario impostandola sul livello minimo.
8. Spostare l'interruttore ON/OFF del motore in posizione OFF.



Montaggio del serbatoio di vernice

Utilizzare la seguente procedura per montare il serbatoio e collegare il tubo di ritorno su un'unità serbatoio.

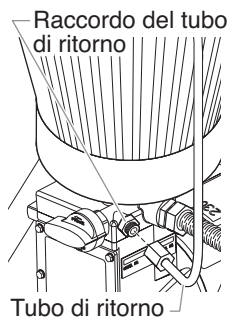
1. Allineare la parte inferiore del serbatoio con la valvola di aspirazione filettata sul blocco della pompa.
2. Ruotare il serbatoio in senso orario per avvitarlo sulla valvola di aspirazione. Continuare a ruotare il serbatoio finché non è ben stretto sulla valvola di aspirazione.

NOTA: Assicurarsi che il serbatoio sia avvitato nel modo corretto e che ruoti liberamente sulla valvola di aspirazione. Fare attenzione a non avvitare trasversalmente.

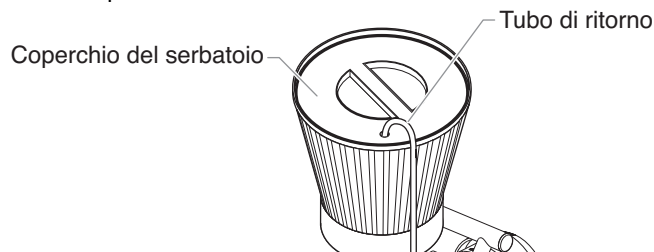
3. Posizionare il retino filtrante nella parte inferiore del serbatoio e farlo scattare in sede.
4. Assicurarsi che l'interruttore ON/OFF del motore si trovi in posizione OFF.
5. Avvitare il raccordo del tubo di ritorno che si trova nella documentazione nell'apertura del tubo stesso presente sul lato della pompa.

NOTA: Non stringere troppo. Stringere solo a mano. Alcuni filetti risulteranno visibili anche una volta stretto completamente.

6. Posizionare l'estremità dritta del tubo di ritorno nel raccordo.



7. Avvitare il dado presente sul tubo di ritorno sul raccordo del tubo stesso e stringerlo bene.
8. Posizionare l'estremità a gancio del tubo di ritorno nel foro del coperchio del serbatoio.



Collegare il dispositivo di aspirazione

Utilizzare la seguente procedura per collegare il dispositivo di aspirazione alla relativa unità.

1. Allineare il dado presente sul dispositivo di aspirazione con la valvola di aspirazione filettata che si trova sul blocco della pompa.
2. Ruotare il dado in senso orario per avvitarlo sulla valvola di aspirazione. Continuare a ruotare il dado finché non è ben stretto sulla valvola di aspirazione.

NOTA: Assicurarsi che il dado sia avvitato nel modo corretto e che ruoti liberamente sulla valvola di aspirazione. Fare attenzione a non avvitare trasversalmente.

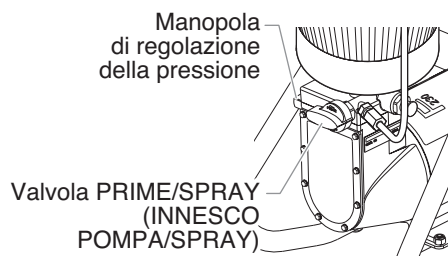
3. Avvitare il raccordo del tubo di ritorno che si trova nella documentazione nell'apertura del tubo stesso presente sul lato della pompa.

NOTA: Non stringere troppo. Stringere solo a mano. Alcuni filetti risulteranno visibili anche una volta stretto completamente.

4. Posizionare l'estremità dritta del tubo di ritorno nel raccordo.
5. Far scorrere la chiusura del tubo di ritorno sul raccordo e stringere bene.

Innesco della pompa

1. Ruotare la manopola di regolazione della pressione in senso antiorario impostandola sul livello minimo.



2. Togliere il coperchio del serbatoio e riempirlo di materiale oppure posizionare il dispositivo di aspirazione in un secchio contenente il materiale.
3. Ruotare la valvola PRIME/SPRAY (INNESCO POMPA/SPRAY) su PRIME (INNESCO POMPA).
4. Spostare l'interruttore ON/OFF del motore in posizione ON.
5. Ruotare la manopola di regolazione della pressione in senso orario impostandola su un livello tra intermedio e massimo. Attendere 1 o 2 minuti finché la pompa non si innesca dopo che il materiale ha cominciato a scorrere attraverso il tubo di ritorno.

AVVERTENZA

Ridurre sempre la pressione a zero prima di modificare la posizione della valvola PRIME/SPRAY (INNESCO POMPA/SPRAY) per evitare danni alla membrana della pompa.

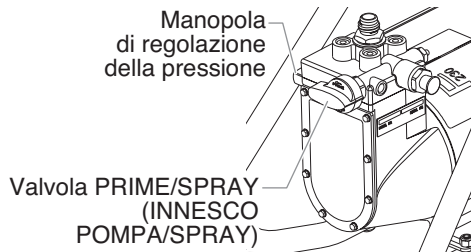
AVVERTENZA

Se la manopola di regolazione della pressione viene portata su zero e la valvola PRIME/SPRAY (INNESCO POMPA/SPRAY) si trova ancora su SPRAY quando si aziona lo spruzzatore, ci sarà una pressione elevata nel tubo e nella pistola a spruzzo finché la valvola PRIME/SPRAY (INNESCO POMPA/SPRAY) non viene ruotata su PRIME (INNESCO POMPA), oppure finché la pistola a spruzzo non viene azionata per rilasciare la pressione.

Procedura di rilascio della pressione

Seguire questa procedura dopo aver assemblato l'unità e prima di ogni operazione di pulizia, di manutenzione o di sostituzione degli ugelli o degli accessori della pistola.

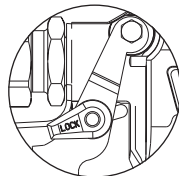
1. Ruotare la manopola di regolazione della pressione in senso antiorario impostandola sul livello minimo.



2. Ruotare la valvola PRIME/SPRAY (INNESCO POMPA/SPRAY) su PRIME (INNESCO POMPA).
3. Azionare la pistola per eliminare la pressione eventualmente rimasta nel tubo di gomma.
4. Mettere la sicura al grilletto ruotandola in avanti finché non si arresta.

ATTENZIONE

Pericolo di iniezione. Non spruzzare se il dispositivo di sicurezza dell'ugello non si trova nella posizione corretta. Non azionare MAI la pistola se l'ugello non si trova perfettamente in posizione di spruzzo o sbloccato. Inserire SEMPRE la sicura della pistola prima di togliere, sostituire o pulire l'ugello.



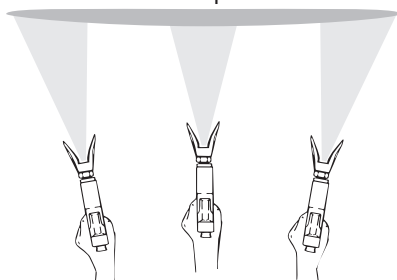
Sicura inserita (la pistola non può spruzzare)

Spruzzatura

Tecnica di spruzzo

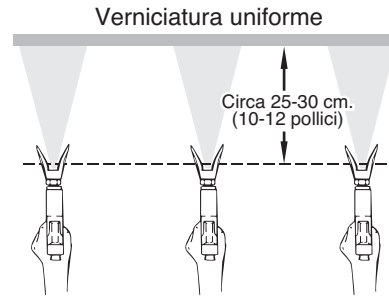
Per un risultato perfetto verniciare l'intera superficie in modo uniforme mediante movimenti lineari. Muovere il braccio ad una velocità regolare e tenere la pistola a spruzzo ad una distanza costante dalla superficie. La distanza ideale è di 25-30 cm. (10-12 pollici) tra l'ugello e la superficie.

Strato sottile Strato spesso Strato sottile



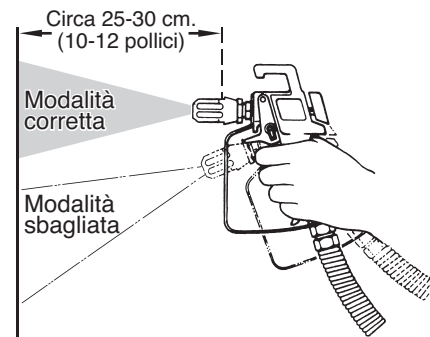
Non flettere il polso mentre si spruzza.

Mantenere la pistola a spruzzo ad un'inclinazione corretta rispetto alla superficie. Ciò significa muovere tutto il braccio avanti e indietro, non solo flettere il polso.



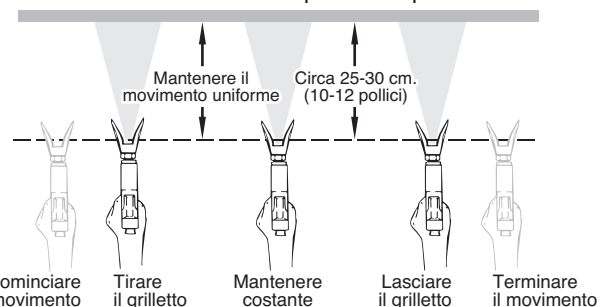
Mantenere il movimento lineare e a velocità costante.

Tenere la pistola a spruzzo perpendicolare alla superficie, altrimenti una parte del getto risulterà più consistente dell'altra.



Per un risultato perfetto accendere e spegnere la pistola a spruzzo dopo ogni movimento. In questo modo si risparmierà materiale evitando che esso si accumuli alla fine del movimento. Non azionare il grilletto della pistola durante il movimento per evitare uno spruzzo non uniforme e un rivestimento a chiazze.

Utilizzo corretto della pistola a spruzzo



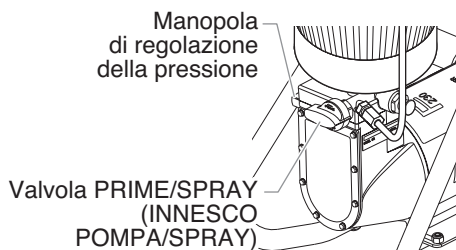
Sovrapporre ciascun tratto di circa il 30% per garantire un rivestimento uniforme.

Al termine dell'operazione di verniciatura mettere la sicura al grilletto della pistola, ruotare la manopola di regolazione della pressione in senso antiorario impostandola sul livello minimo e posizionare la valvola PRIME/SPRAY (INNESCO POMPA/SPRAY) su PRIME (INNESCO POMPA). Spostare l'interruttore ON/OFF del motore su OFF e staccare la spina dello spruzzatore.

Se non si ha intenzione di utilizzare l'apparecchio per più di 1 ora, seguire la procedura rapida di pulizia descritta nella sezione PULIZIA di questo manuale.

Verniciatura di prova

1. Assicurarsi che il tubo di gomma per verniciatura non sia attorcigliato né ostacolato da bordi affilati.
2. Ruotare la manopola di regolazione della pressione in senso antiorario impostandola sul livello minimo.



3. Ruotare la valvola PRIME/SPRAY (INNESCO POMPA/SPRAY) su SPRAY.
4. Ruotare la manopola di regolazione della pressione in senso orario impostandola sul livello massimo. Il tubo dovrebbe irrigidirsi nel momento in cui il materiale comincia a scorrere.
5. Togliere la sicura ruotando l'interruttore in modo tale che risulti parallelo all'impugnatura.
6. Azionare la pistola per espellere l'aria dal tubo.
7. Quando il materiale raggiunge l'ugello spruzzare su una zona di prova per verificare il getto.
8. Utilizzare l'impostazione minima della pressione necessaria per ottenere un getto adeguato. Se la pressione è troppo alta il getto sarà infatti troppo leggero. Se invece la pressione è troppo bassa la verniciatura presenterà delle irregolarità oppure la vernice verrà spruzzata a gocce e non si avrà un rivestimento uniforme.

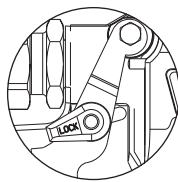


Pulizia

Conservazione quotidiana

Spegnimento

1. Ruotare la manopola di regolazione della pressione in senso antiorario impostandola sul livello minimo.
2. Ruotare la valvola PRIME/SPRAY (INNESCO POMPA/SPRAY) su PRIME per rilasciare la pressione del sistema.
3. Premere il grilletto della pistola per eliminare la pressione eventualmente rimasta nel tubo di gomma.
4. Mettere la sicura al grilletto ruotandola in avanti finché non si arresta.
5. Spostare l'interruttore ON/OFF del motore su OFF e staccare la spina dello spruzzatore.
6. Solo per i materiali in lattice, versare lentamente 120 ml. di acqua sopra la vernice per evitare che si secchi. Per gli altri materiali, sigillare il contenitore del materiale o il serbatoio di vernice (con l'apposito coperchio) lasciando il tubo di ritorno nel materiale.



Sicura inserita (la pistola non può spruzzare)



7. Avvolgere il blocco della pistola in un panno umido e metterlo in un sacchetto di plastica. Sigillare il sacchetto.
8. Per una conservazione a breve termine è sufficiente posizionare lo spruzzatore in un luogo sicuro al riparo dal sole.

Avviamento

1. Togliere la pistola dal sacchetto di plastica.
2. Mescolare l'acqua alla vernice per i materiali in lattice. Per tutti gli altri materiali, togliere il coperchio dal serbatoio o dal contenitore del materiale e mescolare la vernice.
3. Assicurarci che la valvola PRIME/SPRAY (INNESCO POMPA/SPRAY) sia impostata su PRIME (INNESCO POMPA) e che la pressione sia al minimo.
4. Inserire la spina dello spruzzatore e spostare l'interruttore ON/OFF del motore su ON.
5. Una volta innescata la pompa dello spruzzatore, ruotare la valvola PRIME/SPRAY (INNESCO POMPA/SPRAY) su SPRAY e ruotare lentamente la manopola di regolazione della pressione in senso orario per aumentare la pressione.
6. Controllare prima lo spruzzatore su un'area di prova e quindi cominciare a spruzzare.



Conservazione a lungo termine

⚠ ATTENZIONE

Evitare che il materiale si accumuli sul motore per evitarne il surriscaldamento. Evitare che il motore entri in contatto con solventi infiammabili per evitare che essi prendano fuoco.

NOTE: Saranno necessari un secchio, una soluzione detergente, uno spazzolino da denti, una chiave e stracci per pulire.

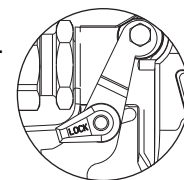
⚠ AVVERTENZA

Non utilizzare spiriti minerali né solventi con l'idropittura per evitare che si formi una sostanza gelatinosa difficile da pulire.

Pulizia del serbatoio di vernice

Utilizzare la seguente procedura per pulire il materiale dal serbatoio.

1. Mettere la sicura al grilletto della pistola ruotandola in avanti finché non si arresta.
2. Ruotare la manopola di regolazione della pressione in senso antiorario impostandola sul livello minimo.
3. Ruotare la valvola PRIME/SPRAY (INNESCO POMPA/SPRAY) su PRIME (INNESCO POMPA).
4. Spostare l'interruttore ON/OFF del motore in posizione OFF.
5. Spostare il tubo di ritorno nel contenitore originale del materiale.
6. Spostare l'interruttore ON/OFF del motore in posizione ON.
7. Ruotare la manopola di regolazione della pressione impostandola su un livello intermedio. In questo modo i residui di materiale verranno aspirati nel serbatoio attraverso la pompa, quindi nel tubo di ritorno e infine nel contenitore del materiale.
8. Ruotare la manopola di regolazione della pressione in senso antiorario impostandola sul livello minimo.
9. Azionare la pistola per rilasciare la pressione, poi mettere la sicura.
10. Togliere l'ugello e il dispositivo di sicurezza e posizionarli in un contenitore di acqua oppure in un solvente adatto al tipo di materiale con cui si sta verniciando.
11. Riempire il serbatoio di acqua oppure con un solvente adatto al tipo di materiale con cui si sta verniciando.
12. Spostare il tubo di ritorno in un secchio per gli scarti.
13. Aumentare la pressione fino ad un livello intermedio. Lasciar scorrere l'acqua o il solvente per 2-3 minuti per eliminare il materiale attraverso la pompa, il serbatoio e il tubo di ritorno.

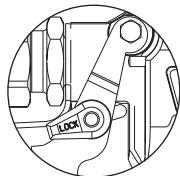


Sicura inserita (la pistola non può spruzzare)

Pulizia del dispositivo di aspirazione

Utilizzare la seguente procedura per pulire il materiale dal tubo aspirante dell'unità di aspirazione.

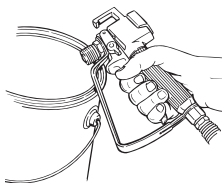
1. Ruotare la manopola di regolazione della pressione in senso antiorario impostandola sul livello minimo.
2. Ruotare la valvola PRIME/SPRAY (INNESCO POMPA/SPRAY) su PRIME (INNESCO POMPA).
3. Spostare l'interruttore ON/OFF del motore in posizione OFF.
4. Attendere qualche secondo, quindi azionare la pistola nel contenitore del materiale per rilasciare attraverso la pompa la pressione del liquido accumulatasi.
5. Mettere la sicura al grilletto della pistola ruotandola in avanti finché non si arresta.
6. Togliere il tubo aspirante dal materiale e tenerlo sopra un secchio di acqua o di solvente. Lasciare il tubo di ritorno nel contenitore del materiale.
7. Spostare l'interruttore ON/OFF del motore in posizione ON.
8. Ruotare la manopola di regolazione della pressione impostandola su un livello intermedio. In questo modo i residui di materiale verranno aspirati nel tubo aspirante attraverso la pompa, quindi nel tubo di ritorno e infine nel contenitore del materiale.
9. Ruotare la manopola di regolazione della pressione in senso antiorario impostandola sul livello minimo.
10. Posizionare il tubo aspirante e il tubo di ritorno collegati nel contenitore di acqua o del solvente adatto.
11. Togliere l'ugello e il dispositivo di sicurezza e posizionarli in un contenitore di solvente adatto.
12. Aumentare la pressione fino ad un livello intermedio. Lasciar scorrere l'acqua o il solvente per 2-3 minuti per eliminare il materiale attraverso la pompa, il tubo aspirante e il tubo di ritorno.



Sicura inserita (la pistola non può spruzzare)

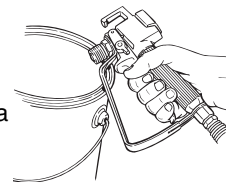
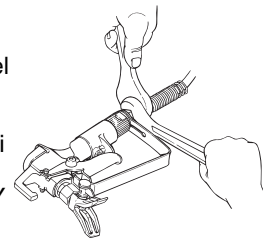
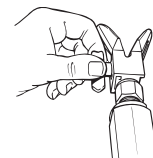
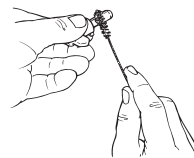
Pulizia del tubo di gomma per verniciatura

1. Per recuperare il materiale rimasto nel tubo, togliere la sicura e, facendo molta attenzione, azionare la pistola senza l'ugello contro le pareti interne del contenitore del materiale.
2. Ruotare la manopola di regolazione della pressione in senso antiorario impostandola sul livello minimo.
3. Ruotare la valvola PRIME/SPRAY (INNESCO POMPA/SPRAY) su SPRAY.
4. Ruotare lentamente la manopola di regolazione della pressione finché il materiale non comincia a scorrere nel secchio, quindi rilasciare subito il grilletto.
5. Utilizzare a questo punto acqua pulita o solvente, puntare la pistola sulle pareti interne del secchio per gli scarti e lasciare scorrere per altri 5 minuti per pulire bene il tubo, la pompa e la pistola.
6. Ruotare la manopola di regolazione della pressione in senso antiorario impostandola sul livello minimo.
7. Ruotare la valvola PRIME/SPRAY (INNESCO POMPA/SPRAY) su PRIME (INNESCO POMPA).
8. Premere il grilletto della pistola per eliminare la pressione eventualmente rimasta nel tubo di gomma.
9. Mettere la sicura al grilletto della pistola ruotandola in avanti finché non si arresta.
10. Spostare l'interruttore ON/OFF del motore in posizione OFF.
11. Coprire il contenitore del materiale e riporlo.



Pulizia della pistola

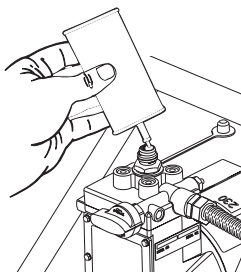
1. Togliere la pistola dal tubo utilizzando due chiavi regolabili.
2. Togliere la scatola del filtro dalla pistola. Immergere la pistola e il filtro in un contenitore di acqua o di solvente.
3. Pulire il filtro dell'ugello e della pistola con una spazzola morbida.
4. Assemblare di nuovo la pistola e il filtro. Montare l'ugello nella posizione di pulizia con la freccia puntata verso la parte posteriore della pistola.
5. Collegare il tubo alla pistola e stringere con due chiavi.
6. Spostare l'interruttore ON/OFF del motore in posizione ON.
7. Togliere la sicura della pistola ruotandola in modo tale che risulti parallela all'impugnatura.
8. Ruotare la valvola PRIME/SPRAY (INNESCO POMPA/SPRAY) su SPRAY e puntare la pistola sulle pareti interne del secchio per gli scarti.
9. Azionare la pistola e ruotare lentamente la manopola di regolazione della pressione in senso orario impostandola su un livello intermedio. Continuare ad azionare la pistola per circa 30 secondi.
10. Ruotare la manopola di regolazione della pressione in senso antiorario impostandola sul livello minimo.
11. Ruotare la valvola PRIME/SPRAY (INNESCO POMPA/SPRAY) su PRIME (INNESCO POMPA).
12. Premere il grilletto della pistola per eliminare la pressione eventualmente rimasta nel tubo di gomma.
13. Mettere la sicura al grilletto della pistola ruotandola in avanti finché non si arresta.
14. Spostare l'interruttore ON/OFF del motore in posizione OFF.



Pulizia finale

1. Togliere il blocco dell'ugello.
2. Spostare il motore su ON.
3. Ruotare la valvola PRIME/SPRAY (INNESCO POMPA/SPRAY) su SPRAY.
4. Ruotare la manopola di regolazione della pressione in senso orario impostandola su un livello intermedio.
5. Azionare la pistola nel secchio per la pulizia finché il serbatoio o il secchio del solvente non sono vuoti.
6. Riempire il serbatoio o il secchio del solvente e continuare a lavare il sistema finché la soluzione che fuoriesce dalla pistola non è pulita.
7. Mettere la sicura al grilletto e ruotare la manopola di regolazione della pressione in senso antiorario impostandola sul livello minimo.
8. Ruotare la valvola PRIME/SPRAY (INNESCO POMPA/SPRAY) su PRIME (INNESCO POMPA).
9. Togliere il serbatoio o il dispositivo di aspirazione dalla valvola di aspirazione.
10. Pulire i filetti della valvola di aspirazione con un panno umido.
11. Riempire la valvola di aspirazione con olio leggero per uso domestico.
12. Ruotare la valvola PRIME/SPRAY (INNESCO POMPA/SPRAY) su SPRAY per distribuire l'olio.

NOTA: Le operazioni di pulizia e di lubrificazione della pompa dopo l'uso sono fondamentali per garantire un buon funzionamento dopo aver riposto l'apparecchio.



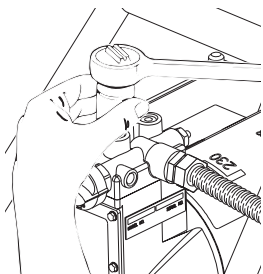
13. Ruotare la manopola di regolazione della pressione in senso antiorario impostandola sul livello minimo.
14. Ruotare la valvola PRIME/SPRAY (INNESCO POMPA/SPRAY) su PRIME (INNESCO POMPA).
15. Premere il grilletto della pistola per eliminare la pressione eventualmente rimasta nel tubo di gomma.
16. Mettere la sicura al grilletto della pistola ruotandola in avanti finché non si arresta.
17. Spostare l'interruttore ON/OFF del motore in posizione OFF.
18. Togliere il filtro del serbatoio e pulire con acqua pulita oppure con un solvente adatto. Utilizzare una spazzola morbida.
19. Montare di nuovo il filtro del serbatoio.
20. Montare il serbatoio o il dispositivo di aspirazione sulla valvola di aspirazione.
21. Pulire tutta l'unità, il tubo e la pistola con un panno umido per togliere il materiale accumulatosi.

Manutenzione

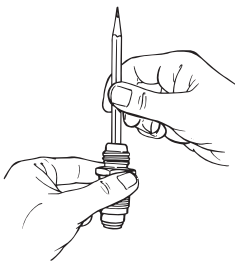
Seguire queste procedure nel caso in cui si verificano i problemi indicati nella sezione dedicata alla localizzazione ed eliminazione di problemi.

Rimozione e pulizia delle valvole di aspirazione

1. Eseguire la procedura di rilascio della pressione, spegnere e scollegare l'unità.
2. Smontare il blocco della valvola di aspirazione utilizzando un attacco da 27 millimetri o una chiave a tubo.
3. Controllare il movimento della valvola premendo sull'apertura della scatola con un cacciavite oppure con l'estremità di gomma di una matita. La valvola dovrebbe muoversi di circa 1/16 di pollice (ca. 0,15 mm.). In caso contrario pulire o sostituire la valvola.



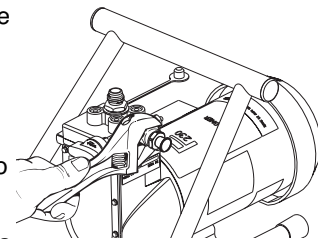
NOTA La valvola di aspirazione deve essere lubrificata dopo ogni uso per ridurre o eliminare eventuali problemi di innesco all'utilizzo successivo.



4. Pulire bene il blocco della valvola con acqua o con un solvente adatto. Utilizzare una spazzola piccola.
5. Se la valvola è stata pulita bene ma l'acqua gocciola dalla parte inferiore significa che la valvola è usurata ed è pertanto necessario sostituirla. Se la valvola è posizionata correttamente, quando viene riempita di acqua e tenuta in posizione verticale non gocciolerà.
6. Installare una valvola nuova o pulita nel blocco della pompa, quindi riempire la valvola con olio leggero o solvente.

Rimozione e pulizia della valvola di scarico

A volte è necessario rimuovere e pulire la valvola di scarico oppure sostituire i componenti all'interno della valvola che si sono usurati a causa del normale utilizzo.



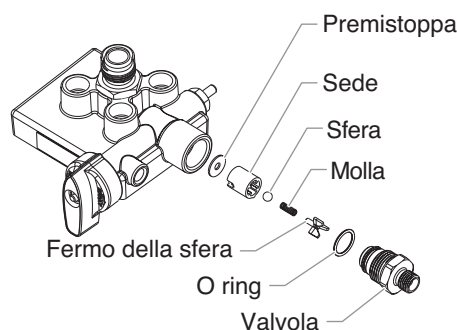
1. Togliere la valvola di scarico con una chiave.
2. Togliere e pulire il fermo della sfera e la piccola molla all'interno della valvola utilizzando un gancio fatto con un filo metallico oppure delle pinzette. Sostituire la molla se è rotta o usurata.

NOTA: La molla è prodotta con un tensione specifica. Non utilizzare un pezzo di ricambio non approvato dal fabbricante. Consultare la tabella dei componenti del blocco della pompa per individuare il codice del pezzo di ricambio adatto.

3. Togliere il blocco della sfera e della sede.
4. Pulire bene tutti i componenti. Se la sfera o la sede mostrano segni di usura o di danni sostituirle con componenti nuovi. La sfera di carburo deve essere perfettamente sigillata nella propria sede per consentire alla valvola di funzionare correttamente.
5. Coprire tutti i componenti con uno strato sottile di olio leggero prima di assemblarli di nuovo.

NOTA: Per montare di nuovo il blocco, allineare il bordo alla sede con la scanalatura presente nella scatola della pompa.

6. Inserire la sfera della valvola.
7. Inserire il fermo della sfera e la molla e riposizionare la valvola. Assicurarsi che l'O ring sia posizionato correttamente e che la linguetta sul coperchio sia inserita nella molla.
8. Stringere bene la valvola con una chiave regolabile. Non stringere troppo.



Pulizia del retino del serbatoio

Pulire regolarmente il retino che si trova nella parte inferiore del serbatoio e controllarlo ogni volta che si aggiunge della vernice. Togliere il retino estraendolo con delle pinze. Pulire il retino con acqua o solvente e una spazzola morbida, se necessario.



Localizzazione ed eliminazione dei problemi

Problema

Lo spruzzatore non si accende.

Causa

1. La spina dello spruzzatore non è inserita.
2. L'interruttore ON/OFF si trova in posizione OFF.
3. La tensione bassa o la mancanza di corrente sono causate dalla spina a muro.
4. Lo spruzzatore è stato spento mentre era ancora in pressione.
5. La prolunga è danneggiata oppure ha una capacità troppo bassa.
6. Si è verificato un sovraccarico termico sullo spruzzatore.
7. Si è verificato un problema con il motore.

Soluzione

1. Inserire la spina dello spruzzatore.
2. Spostare l'interruttore ON/OFF in posizione ON.
3. Controllare la tensione di alimentazione.
4. Ruotare la valvola PRIME/SPRAY (INNESCO POMPA/SPRAY) su PRIME (INNESCO POMPA).
5. Sostituire la prolunga.
6. Lasciar raffreddare il motore e spostare lo spruzzatore in un luogo più fresco.
7. Portare lo spruzzatore in un centro di assistenza autorizzato Wagner.

Lo spruzzatore si accende ma non aspira la vernice quando la valvola PRIME/SPRAY (INNESCO POMPA/SPRAY) è posizionata su PRIME (INNESCO POMPA).

1. L'unità non si innesca correttamente o ha perso l'innesco.
2. Il serbatoio è vuoto.
3. Il filtro del serbatoio è ostruito.
4. La valvola di aspirazione è bloccata.
5. La valvola di scarico è bloccata.
6. La valvola PRIME/SPRAY (INNESCO POMPA/SPRAY) è otturata.
7. La valvola di aspirazione è usurata o danneggiata.
8. Si è verificato un problema con la membrana.
9. Il livello di olio idraulico è basso o vuoto.

1. Riprovare ad innescare di nuovo l'unità.
2. Riempire il serbatoio di vernice.
3. Pulire il filtro del serbatoio.
4. Pulire la valvola di aspirazione.
5. Pulire la valvola di scarico e sostituire i componenti usurati.
6. Portare lo spruzzatore in un centro di assistenza autorizzato Wagner.
7. Sostituire la valvola di aspirazione.
8. Portare lo spruzzatore in un centro di assistenza autorizzato Wagner.
9. Portare lo spruzzatore in un centro di assistenza autorizzato Wagner.

Lo spruzzatore aspira la vernice ma la pressione diminuisce quando si aziona la pistola.

1. L'ugello è usurato.
2. Il filtro del serbatoio è ostruito.
3. Il filtro della pistola o dell'ugello è otturato.
4. La vernice è troppo pesante o grezza.
5. Il blocco della valvola di scarico è sporco o usurato.
6. Il blocco della valvola di aspirazione è danneggiato o usurato.

1. Sostituire l'ugello con uno nuovo.
2. Pulire il filtro del serbatoio.
3. Pulire o sostituire con un filtro adatto. Tenere sempre a disposizione dei filtri di scorta.
4. Diluire o filtrare la vernice.
5. Pulire o sostituire il blocco della valvola di scarico.
6. Sostituire la valvola di aspirazione.

Lo spruzzatore non si spegne.

1. La sfera della valvola di aspirazione o di scarico o la sua sede sono usurate.
2. Si è verificato un accumulo di vernice o di materiale estraneo tra la sfera e la sua sede.

1. Portare lo spruzzatore in un centro di assistenza autorizzato Wagner.
2. Portare lo spruzzatore in un centro di assistenza autorizzato Wagner.

La pistola a spruzzo perde.

1. I componenti interni della pistola sono usurati o sporchi.

1. Portare lo spruzzatore in un centro di assistenza autorizzato Wagner.

Il blocco dell'ugello perde.

1. L'ugello non è montato correttamente.
2. Un premistoppa è usurato.

1. Controllare il blocco dell'ugello e montarlo correttamente.
2. Sostituire il premistoppa.

La pistola non spruzza.

1. L'ugello, il filtro della pistola o il filtro dell'ugello sono otturati.
2. L'ugello si trova in posizione CLEAN (PULIZIA).

1. Pulire l'ugello, il filtro della pistola o dell'ugello.
2. Spostare l'ugello in posizione SPRAY.

La verniciatura presenta delle irregolarità.

1. La pressione impostata è troppo bassa.
2. Il filtro della pistola, dell'ugello o del serbatoio è otturato.
3. L'ugello è usurato.
4. La vernice è troppo spessa.

1. Aumentare la pressione.
2. Pulire i filtri.
3. Sostituire l'ugello.
4. Diluire la vernice.

Si è verificato un sovraccarico termico che ha provocato lo spegnimento dello spruzzatore.

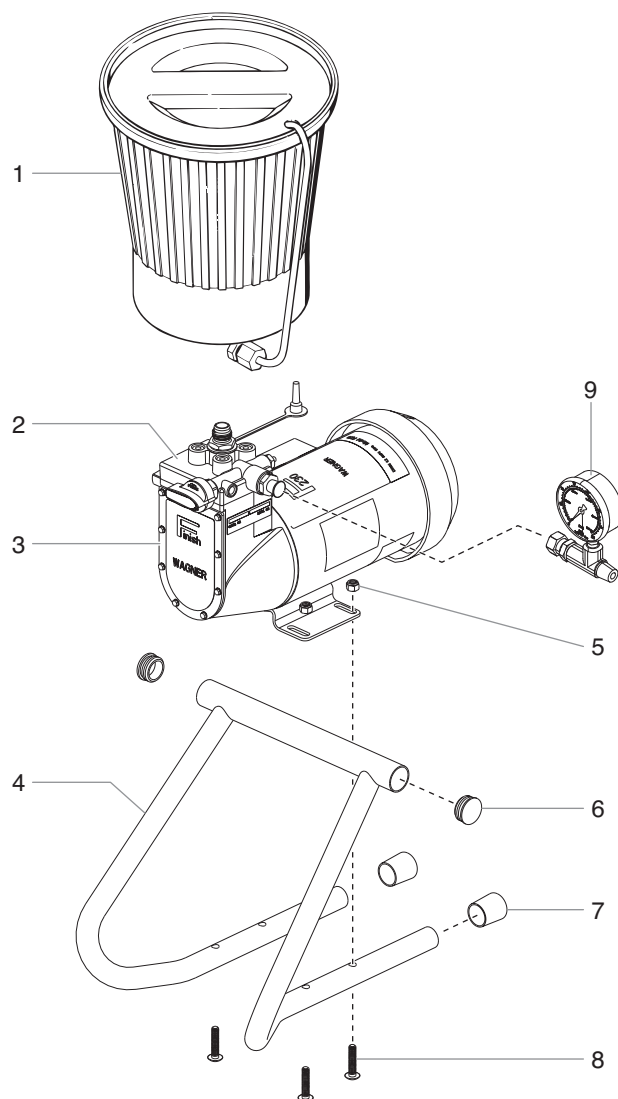
1. Il motore è surriscaldato.
2. La prolunga è troppo lunga o di calibro troppo basso.
3. Si è verificato un accumulo di vernice sul motore.
4. Il motore è stato avviato mentre lo spruzzatore era in pressione.
5. Lo spruzzatore è stato lasciato esposto al sole.

1. Lasciar raffreddare per 30 minuti.
2. Lasciar raffreddare per 30 minuti e sostituire la prolunga con una prolunga più corta oppure con una di calibro più spesso.
3. Pulire la vernice dal motore.
4. Riavviare lo spruzzatore in modalità PRIME (INNESCO POMPA).
5. Togliere lo spruzzatore dal sole.

NOTA: Quando la valvola PRIME/SPRAY (INNESCO POMPA/SPRAY) si trova in posizione SPRAY e la vernice scorre attraverso il tubo di ritorno, togliere la valvola PRIME/SPRAY (INNESCO POMPA/SPRAY) e pulirla oppure sostituirla.

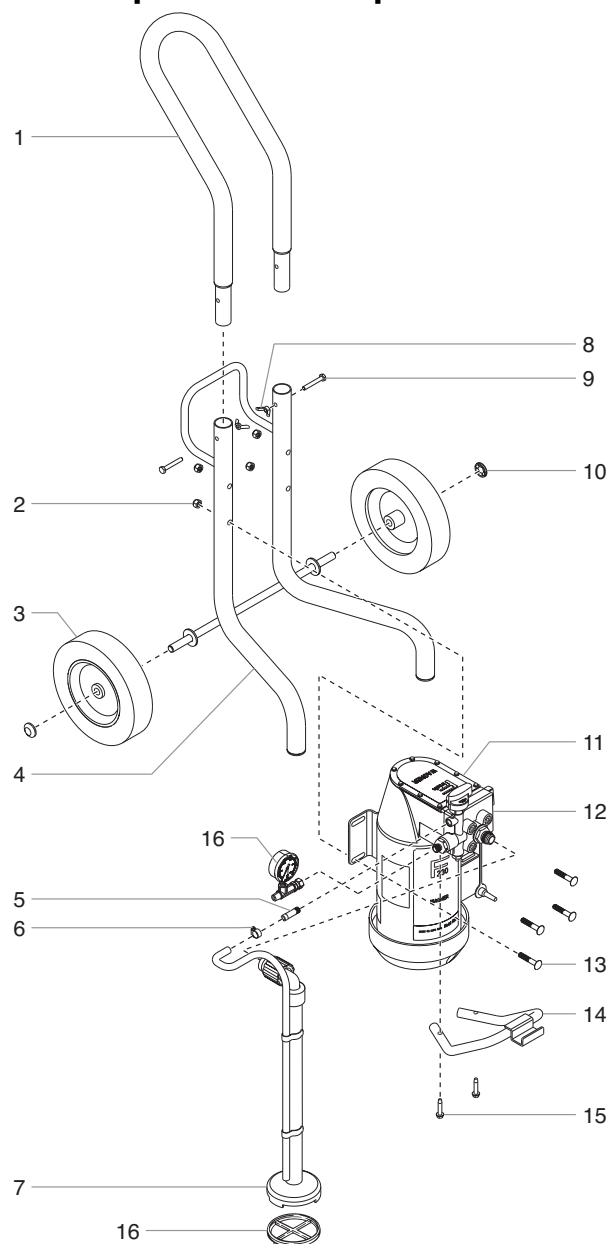
NOTA: Tenere sempre il motore elettrico pulito e asciutto. La vernice infatti agisce da isolante, e un eccesso di vernice sul motore potrebbe provocare un surriscaldamento.

Elenco componenti Blocco principale – Unità serbatoio



Articolo	Pezzo	Descrizione	Quantità
1	0288144	Blocco del serbatoio.....	1
2	-----	Blocco della testa della pompa.....	1
3	0281118	Pompa a membrana, 220–240 V CA.....	1
	0311200	Pompa a membrana, 100–120 V CA	
4	0278310	Supporto.....	1
5	9811122	Controdado	4
6	0294635	Spina.....	2
7	0270343	Coperchio del tubo.....	2
8	9805213	Bullone carrello	4
9	0508239	Manometro (se attrezzato).....	1

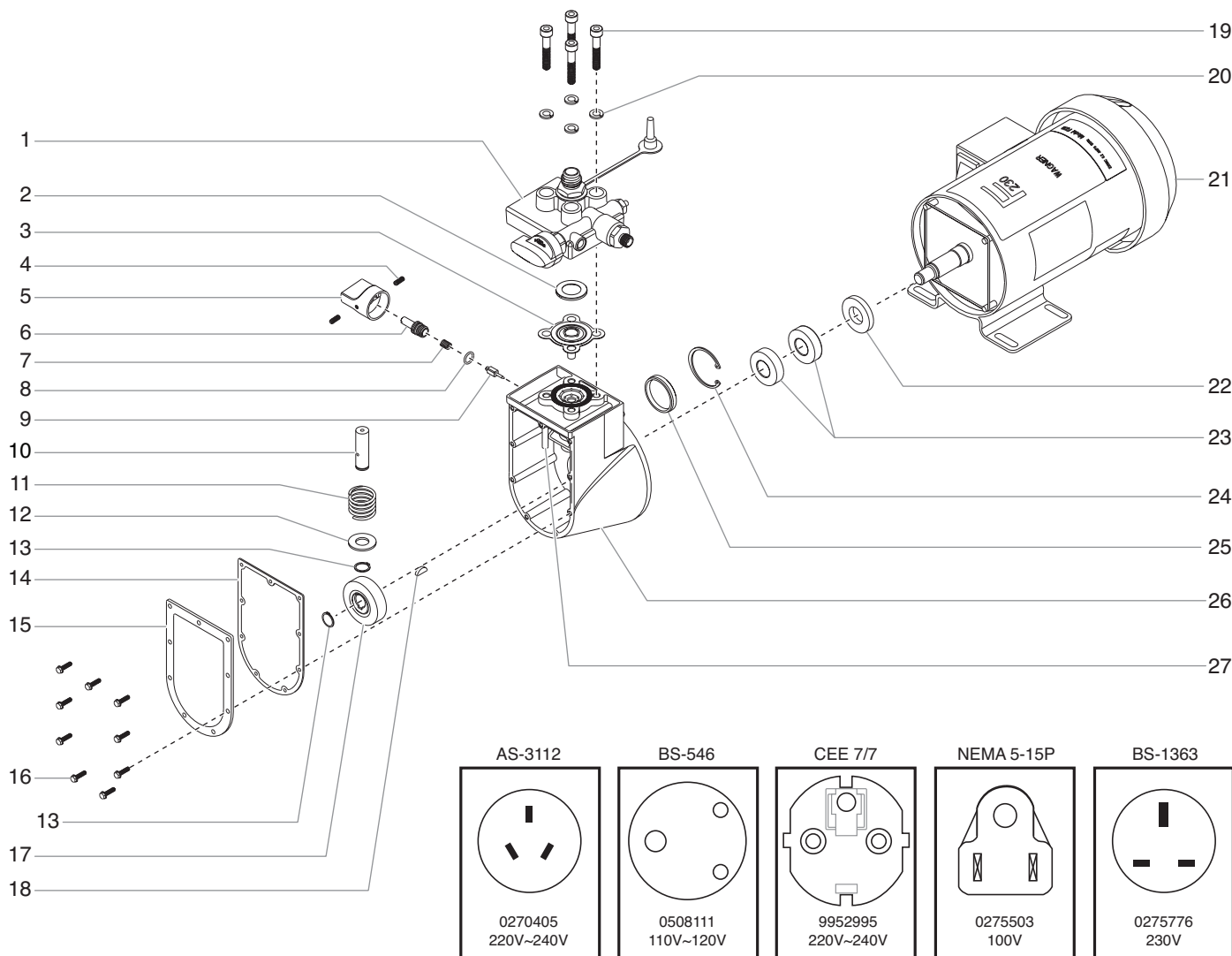
Blocco principale – Unità dispositivo di aspirazione



Articolo	Pezzo	Descrizione	Quantità
1	0508251	Impugnatura.....	1
2	9811122	Controdado	4
3	0512396	Ruota.....	2
4	0508255	Struttura	1
5	0088715	Raccordo del tubo di ritorno.....	1
6	0327226	Chiusura del tubo di ritorno.....	1
7	0278147	Blocco del dispositivo di aspirazione (incluso articolo 16).....	1
8	9810111	Galletto.....	2
9	9800108	Vite.....	2
10	9810113	Coperchio dell'assale.....	2
11	0555126	Pompa a membrana, 220–240 V CA.....	1
	0311200	Pompa a membrana, 100–120 V CA	
12	-----	Blocco della testa della pompa.....	1
13	9802533	Bullone carrello	4
14	0278364	Gancio del secchio.....	1
15	9802519	Vite.....	2
16	0270369	Filtro	1
17	0508239	Manometro (se attrezzato).....	1

Pompa a membrana

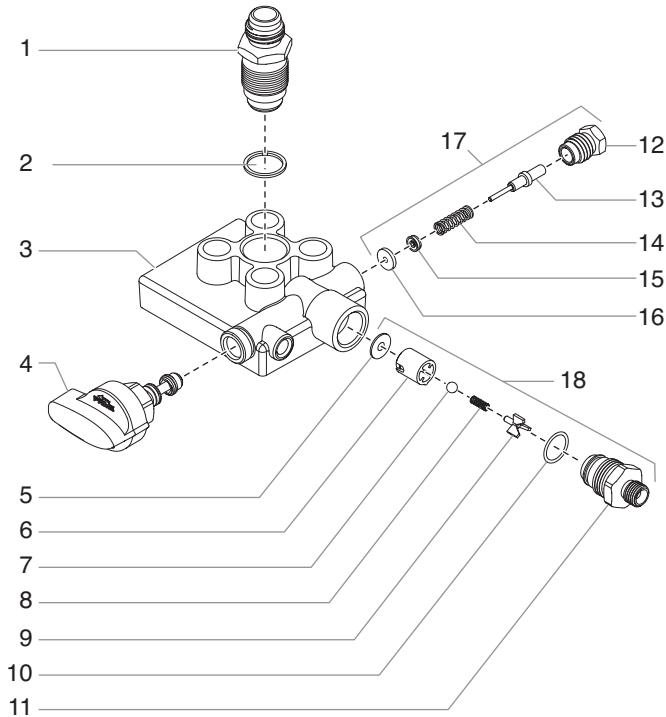
(P/N 0555126 / 220–240 V CA o P/N 0311200 / 100–120 V CA)



Articolo	Pezzo	Descrizione	Quantità
1	0311215	Testa della pompa.....	1
2	0270494	Anello della membrana	1
3	0270201	Membrana.....	1
4	9801109	Vite di arresto.....	2
5	0288775	Manopola di regolazione della pressione..	1
6	0270529	Gambo della valvola	1
7	0047373	Molla di regolazione della pressione.....	1
8	0089518	O ring	1
9	0089475	Spillo della valvola della pressione.....	1
10	0278345	Stantuffo idraulico	1
11	0005311	Molla dello stantuffo	1
12	0270550	Rondella dello stantuffo	1
13	0047393	Fermo.....	2
14	0278359	Guarnizione.....	1
15	0278341	Coperchio idraulico	1
16	9800049	Vite.....	9
17	0090031	Blocco manicotto eccentrico e supporto ...	1
18	0089829	Chiavetta dell'albero.....	1

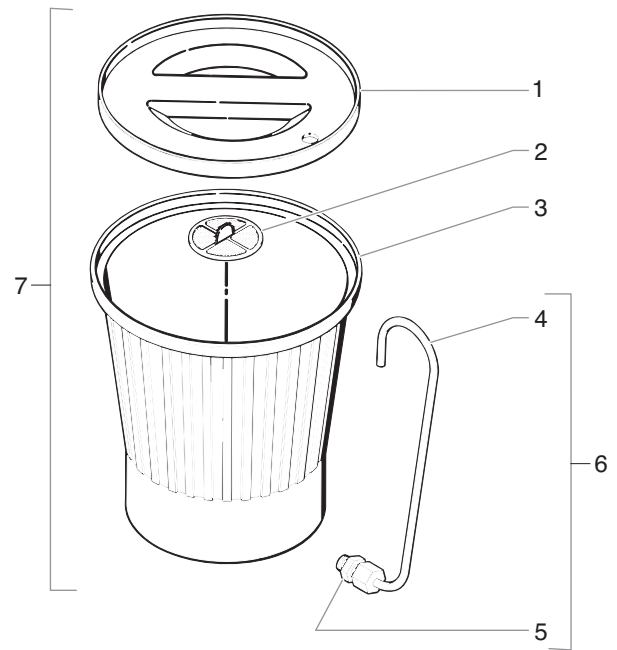
Articolo	Pezzo	Descrizione	Quantità
19	9900355	Vite ad esagono incassato (Coppia di torsione 20.3 Nm)	4
20	9921601	Rosetta di sicurezza.....	4
21	0508295	Motore, 220–240 V CA, dispositivo di aspirazione (inclusi articoli 28 e 29)	1
	0281117	Motore, 220–240 V CA, serbatoio (inclusi articoli 28 e 29)	1
	0278469	Motore, 100–120 V CA (inclusi articoli 28 e 29)	1
22	0270524	Premistoppa	1
23	0270490	Supporto della sfera.....	2
24	0311400	Anello elastico.....	1
25	9870117	Premistoppa della spina.....	1
26	0278238	Gruppo scatola idraulica (inclusi articoli 22–25)	1
27	0278387	Bocchettone	1
28	0270462	Ventola (non mostrata nella figura).....	1
29	0270612	Coperchio della ventola (non mostrato nella figura)	1
	-----	Cavo di alimentazione (non mostrato nella figura, v. sopra)	1

Blocco della testa della pompa



Articolo	Pezzo	Descrizione	Quantità
1	0278242	Blocco della valvola di aspirazione (incluso articolo 2).....	1
2	0089482	Rondella ermetica, nylon	1
3	0278334	Pompa per verniciatura.....	1
4	0555901	Blocco della valvola PRIME/SPRAY (INNESCO POMPA/SPRAY).....	1
5	0278362	Premistoppa di scarico.....	1
6	0278241	Sede della sfera	1
7	0093635	Sfera.....	1
8	0047485	Molla di scarico	1
9	0278361	Guida della sfera.....	1
10	9871114	O ring	1
11	0278335	Raccordo di scarico	1
12	0278337	Corpo del dispositivo di spinta.....	1
13	0278250	Blocco del gambo del dispositivo di spinta.....	1
14	0278368	Molla del dispositivo di spinta	1
15	0156646	Premistoppa	1
16	0278340	Rondella del dispositivo di spinta.....	1
17	0508199	Componenti dell'eiettore (inclusi articoli 12 - 16)	
18	0508198	Valvola di sfiato (inclusi articoli 5 - 11)	

Blocco del serbatoio



Articolo	Pezzo	Descrizione	Quantità
1	0279591	Coperchio del serbatoio.....	1
2	0089917	Retino filtrante sottile (v. figura).....	1
	0088871	Retino filtrante grosso	
3	0524443	Serbatoio.....	1
4	0093865	Tubo di ritorno.....	1
5	0403309	Raccordo.....	1
6	0090560	Blocco del tubo di ritorno (inclusi articoli 4 e 5).....	1
7	0288144	Serbatoio completo (inclusi articoli 1 - 6).....	1

Table of Contents

Veiligheidsrichtlijnen	62
Algemene Beschrijving	64
Specificaties	64
Vorbereiden om te Schilderen	64
Doorspuiten	65
Vorbereiden om te Doorspuiten	65
Monteren van de Verfbak	65
Vastmaken van de Zuigset	65
De Pomp Doorspuiten	65
Drukverlagingsprocedure	66
Spuiten	66
Opruimen	67
Onderhoud	69
Probleemoplossingen	70
Onderdelenlijst	71
Hoofdmontage – Verfbak	71
Hoofdmontage – Zuigset	71
Diafragmapomp	72
Pomphoofd	73
Verfbak	73

Veiligheidsrichtlijnen

Deze handleiding bevat informatie die u moet lezen en begrijpen voordat u het toestel gebruikt. Wanneer u bij een gedeelte aankomt dat een van de volgende symbolen bevat, dient u extra voorzichtig te werk te gaan en de informatie te allen tijde op te volgen.

WAARSCHUWING

Dit symbool geeft een mogelijk gevaar aan dat ernstig persoonlijk letsel of zelfs de dood tot gevolg kan hebben. Belangrijke veiligheidsinformatie volgt.

LET OP

Dit symbool geeft een mogelijk gevaar aan ten opzichte van uzelf of het toestel. Belangrijke informatie volgt over hoe u schade aan het toestel respectievelijk kleiner persoonlijk letsel kunt voorkomen.

OPMERKING: Op deze plaatsen wordt belangrijke informatie gegeven waar speciale aandacht aan dient te worden gegeven.

LET OP

Dit toestel is voorzien van een thermisch beschermde automatische reset. Indien er zich een overbelasting voordoet, breekt de thermisch beschermde automatische reset de energietoevoer van de motor af.

- De motor zal zonder waarschuwing opnieuw opstarten als de bescherming automatisch reset.
- Sluit de energietoevoer van de motor altijd af vooraleer te beginnen werken aan de uitrusting.
- Als de thermisch beschermde automatische reset de energietoevoer van de motor afsluit, verlaag de druk door de prime selectiehendel op PRIME te zetten.
- Zet de ON/OFF schakelaar op OFF.

WAARSCHUWING

GEVAAR: Persoonlijk letsel door injectie - Een vloeistofstraal onder hoge druk afkomstig uit dit apparaat is krachtig genoeg om de huid en het onderliggende weefsel binnen te dringen, hetgeen kan leiden tot ernstig persoonlijk letsel waarbij zelfs amputatie noodzakelijk kan blijken.



BEHANDEL PERSOONLIJK LETSEL T.G.V. INJECTIE NIET ALS EEN SIMPELE SNEE! Injectie kan tot amputatie leiden. Raadpleeg onmiddellijk een arts.

De maximaal toegestane bedrijfsdruk van het toestel bedraagt 20.7 MPa / 3000 PSI.

PREVENTIE:

- NOOIT het pistool op een lichaamsdeel richten.
- NOOIT een lichaamsdeel in de vloeistofstraal houden. NIET met een lichaamsdeel een eventuele lekkage in de vloeistofslang proberen af te dichten.
- NOOIT uw hand voor het pistool houden. Handschoenen geven geen bescherming tegen persoonlijk letsel door injectie.
- ALTIJD de trekker van het pistool vergrendelen, de compressor uitschakelen en de druk laten ontsnappen voordat u het apparaat een onderhoudsbeurt geeft, de spuitmond of beschermkap daarvan schoonmaakt, de spuitmond verwisselt of het apparaat onbeheerd achterlaat. Uitschakelen van de compressormotor betekent niet automatisch dat het systeem drukloos wordt. De PRIME/SPRAY (doorspuiten/spuiten) selectiehendel of ontluichtingsventiel moeten in de juiste stand gezet worden om de druk van het systeem te laten ontsnappen. Raadpleeg de PROCEDURE VOOR HET DRUKLOOS MAKEN VAN DE INSTALLATIE zoals beschreven in deze handleiding.
- ALTIJD de beschermkap van de spuitmond tijdens het spuiten op zijn plaats laten. De beschermkap van de spuitmond geeft enige bescherming, maar is hoofdzakelijk een waarschuwingsmiddel.
- ALTIJD de spuitmond verwijderen alvorens het systeem door te spoelen of te reinigen.
- Er kan lekkage in de verflang ontstaan ten gevolge van slijtage, knikken van de slang of verkeerd gebruik. Een lek kan de oorzaak zijn van het feit dat spuitlak in de huid terechtkomt. Controleer de slang voor elk gebruik.
- NOOIT een spuitpistool gebruiken waarvan de vergrendeling van de trekker niet werkt en de beschermkap van de trekker niet op de juiste plaats zit.
- Alle accessoires dienen minimaal geschikt te zijn voor gebruik op de maximale toegestane bedrijfsdruk van de spuitinstallatie. Dit geldt tevens voor de spuitmonden, pistolen, verlengstukken en slang.

INFORMATIE VOOR DE BEHANDELD ARTS:

Het binnendringen van spuitlak in de huid leidt tot traumatische verwondingen. Het is belangrijk om het letsel zo spoedig mogelijk te behandelen. Stel de behandeling NIET UIT om toxisch onderzoek te verrichten. Toxiciteit doet zich bij sommige spuitlakken voor wanneer deze direct in de bloedbaan terechtkomen. Overleg met een chirurg / plastisch chirurg kan raadzaam zijn.

GEVAAR: EXPLOSIE en BRAND - Oplosmiddel- en verdamp kunnen exploderen of in brand vliegen. Dit kan leiden tot ernstig persoonlijk letsel en/of materiële schade.

PREVENTIE:

- Zorg voor goede afzuiging van de spuitdampen alsmede voor een goede toevoer van verse lucht om opeenhoping van ontvlambare dampen in de spuitruimte te voorkomen.
- Mogelijke ontstekingsbronnen (zoals statische elektriciteit, elektrische apparaten, open vuur, waakvlammen, hete objecten en vonkvorming die ontstaat bij het insteken en uittrekken van elektriciteits snoeren respectievelijk het bedienen van lichtschakelaars) vermijden.
- Niet roken in de spuitruimte.
- Een goedwerkend brandblusapparaat moet aanwezig zijn.

- Plaats de spuitinstallatie tenminste 6,1 m van het te spuiten object in een goedgeventileerde ruimte (verleng de slang indien nodig). Ontvlambare dampen zijn vaak zwaarder dan lucht. Het bereik direct boven het vloeroppervlak dient dan ook zeer goed te worden geventileerd. De compressor bevat onderdelen waarin vonkvorming kan optreden waardoor dampen kunnen ontsteken.
- Het toestel en andere objecten in en rond de spuitruimte moeten correct worden geaard, om vonkvorming ten gevolge van statische elektriciteit te voorkomen.
- Gebruik alleen een geleidende of geaarde hogedruk vloeistofslang. Het pistool moet middels de aansluiting van de slang geaard zijn.
- Het elektriciteits snoer moet aangesloten zijn op een lichtnet met randaarde (uitsluitend voor elektrische toestellen).
- Uitspoelen dient altijd in een aparte metalen container op lage druk te geschieden, waarbij de spuitmond verwijderd dient te zijn. Houd het pistool stevig tegen de zijkant van de container aangedrukt om ervoor te zorgen dat de container geaard is en vonkvorming ten gevolge van statische elektriciteit wordt voorkomen.
- Volg de waarschuwingen en instructies van de fabrikant van de stoffen en oplosmiddelen op.
- Het toestel moet aangesloten zijn op een geaard object. Gebruik de groene aarde-ader om het toestel aan te sluiten op een waterpijp, stalen balk of een ander elektrisch geaard oppervlak.
- Gebruik geen stoffen die een ontvlammingspunt lager dan 21°C hebben. Het ontvlammingspunt is de temperatuur waarbij een stof voldoende damp kan produceren om te ontvlammen.
- Het gebruik van kunststof kan vonkvorming ten gevolge van statische elektriciteit veroorzaken. Hang dan ook nooit een stuk plastic op om de spuitruimte af te schermen. Gebruik geen plastic opvangscherm wanneer u met ontvlambare stoffen spuit.
- Kies de laagst mogelijke druk om het toestel uit te spoelen.

VERBRANDINGSMOTOR (INDIEN VAN TOEPASSING)

Plaats de spuitinstallatie altijd buiten, in de frisse lucht. Houd alle oplosmiddelen uit de buurt van de uitlaat van de motor. Vul de brandstoftank nooit bij wanneer de motor nog draait of heet is. Een heet oppervlak kan er voor zorgen dat gemorste brandstof ontvlamt. Sluit de aardleiding van de compressor altijd op een geaard voorwerp aan. Raadpleeg de handleiding van de motor voor de volledige veiligheidsinformatie.

GEVAAR: EXPLOSIEGEVAAR T.G.V. GEBRUIK VAN ONGESCHIKTE STOFFEN – dit heeft ernstig persoonlijk letsel of materiële schade tot gevolg.

PREVENTIE:

- Gebruik geen stoffen die bleekmiddel of chloor bevatten.
- Gebruik geen oplosmiddelen die halogeenkoolwaterstoffen bevatten, zoals methylchloride en 1,1,1-trichloroethaan. Deze zijn ongeschikt voor gebruik in combinatie met aluminium en kunnen een explosie veroorzaken. Indien u niet zeker weet of een stof geschikt is op aluminium neem dan contact op met uw coating-fabrikant.

GEVAAR: GEVAARLIJKE DAMPEN – Verven, oplosmiddelen, insecticiden en andere stoffen kunnen schadelijk zijn wanneer ze worden ingeademd of in aanraking met het lichaam komen. Dampen kunnen ernstige misselijkheid, flauwvallen of vergiftiging veroorzaken.

PREVENTIE:

- Draag een beademings- of gasmasker wanneer dampen kunnen worden ingeademd. Lees alle bij het masker behorende instructies opdat u zeker weet dat het de nodige bescherming zal bieden.
- Draag een veiligheidsbril.
- Draag veiligheidskleding conform de instructies van de fabrikant van coatings.

GEVAAR: ALGEMEEN - dit kan ernstig persoonlijk letsel of materiële schade tot gevolg hebben.

PREVENTIE:

- Lees alle instructies en veiligheidsvoorzorgsmaatregelen voordat u het toestel bedient.
- Volg alle van toepassing zijnde lokale, provinciale en nationale verordeningen inzake ventilatie, brandpreventie en bediening.
- Bediening van de trekker veroorzaakt een terugslag van de hand die het spuitpistool vasthoudt. De terugslag van het spuitpistool is bijzonder krachtig wanneer de spuitmond is verwijderd en de hoge-druk nevelcompressor op een hoge spuitdruk is ingesteld. Zet de drukregelaar op de laagst mogelijke stand alvorens de spuitmond te verwijderen en de apparatuur te reinigen.
- Gebruik alleen onderdelen die door de fabrikant zijn goedgekeurd. De gebruiker neemt alle risico's en aansprakelijkheden op zich wanneer hij onderdelen gebruikt die niet voldoen aan de minimale specificaties en veiligheidsrichtlijnen zoals opgesteld door de fabrikant van de compressor.
- Controleer voor elk gebruik alle slangen op inkervingen, lekkage, slijtage of uitstulping van de omhulling. Controleer op schade van of speling in verbindingstukken. Vervang de slang meteen indien zich een van deze situaties voordoet. Repareer een verfslang nooit. Vervang de slang door een geaarde hogedruk slang.
- Volg ALTIJD de instructies van de fabrikant van de stoffen inzake veilig omgaan met verf en oplosmiddelen.
- Gebruik dit toestel niet in werkplaatsen die vallen onder de voorschriften betreffende explosiepreventie.
- Ruim gemorste stoffen en oplosmiddelen direct op.
- Altijd het snoer uit het stopcontact halen voordat u werk gaat verrichten aan het toestel (geldt alleen voor elektrische apparaten).
- Draag gehoorbeschermers. Dit toestel kan een geluidsniveau hoger dan 85 dB(A) produceren.
- Laat dit toestel nooit onbeheerd achter. Houd het uit de buurt van kinderen en personen die niet bekend zijn met de bediening van nevelspuittoestellen.
- Niet buiten spuiten wanneer er veel wind staat.

Aardingsinstructies

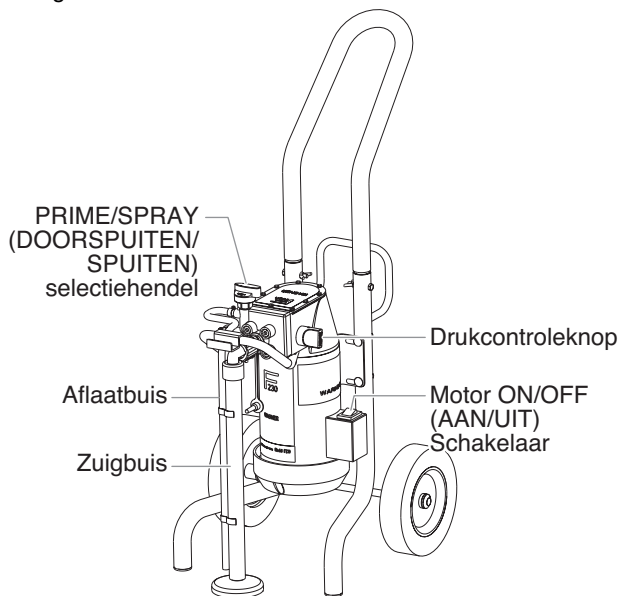
Elektrische modellen moeten geaard zijn. In geval van elektrische kortsluiting is het risico van een elektrische schok kleiner indien het toestel geaard is, doordat de aarde-ader voor afleiding van de elektrische stroom zorgt. Dit product is uitgerust met een snoer met een aarde-ader en een stekker met randaarde. De stekker moet in een contactdoos gestoken worden die correct geïnstalleerd is en geaard is in overeenstemming met alle ter plekke geldende richtlijnen en verordeningen.

GEVAAR – Onjuiste installatie van de stekker met randaarde kan een elektrische schok tot gevolg hebben. Wanneer het snoer en/of de stekker gerepareerd of vervangen moeten worden, sluit de groene aarde-ader dan nooit aan op één van de platte stekkerpennen. De ader met een groene isolatiemantel (met of zonder gele strepen) is de aarde-ader en moet worden aangesloten op de aardepin.

Neem contact op met een bevoegde electricien of onderhoudsmonteur indien u de aardingsinstructies niet volledig begrijpt of indien u eraan twijfelt of het product op correcte wijze geaard is. Wijzig de meegeleverde stekker niet. Indien de stekker niet in de contactdoos past, laat dan een bevoegde electricien een geschikte contactdoos installeren.

Algemene Beschrijving

Deze hoogwaardige nevelsputinstallatie is een krachtig precisieapparaat dat gebruikt wordt om veel verschillende materialen te spuiten. Lees en volg deze handleiding nauwkeurig op voor correcte werkingsinstructies, onderhoud en veiligheidsadviezen.



Specificaties

Gewicht:

Verfbak.....17 kg (37 lbs.)

Zuigset.....20 kg (44 lbs.)

CapaciteitTot 1,25 liter per minuut

Energiebron.....Elektrische motor, volledig ingesloten, door ventilator gekoeld

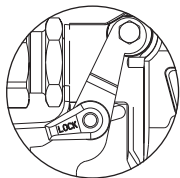
Voltage220–240 VAC, 50/60 Hz, 6,2 A of 100–120 VAC, 50/60 Hz, 11,0 A

SpuitdrukTot 20,7 MPa (3000 PSI)

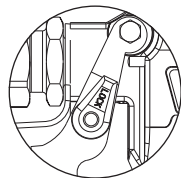
MogelijkhedenSpuit een breed gamma olie- en latexverven, primers en verkleuringen

Vorbereiden om te Schilderen De Spuitmond op het Pistool vastmaken

1. Vergrendel de trekker door het slot voorwaarts te draaien tot het stopt.



Trekker vergrendeld (pistool zal niet spuiten)



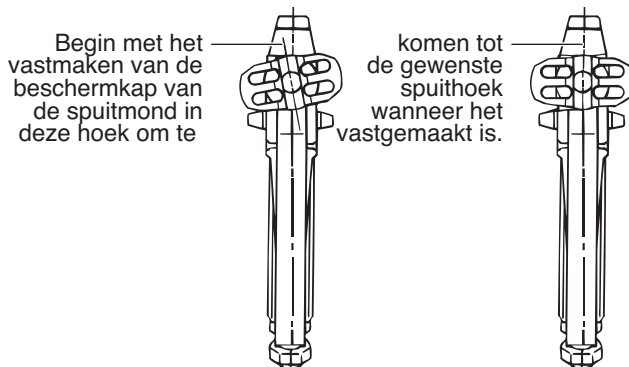
Trekker niet vergrendeld (pistool zal spuiten)

WAARSCHUWING

GEVAAR: PERSOONLIJK LETSEL DOOR INJECTIE. Zorg dat tijdens het spuiten de beschermkap van de spuitmond steeds op zijn plaats blijft. Het spuitpistool slechts activeren wanneer de spuitmond in de stand doorspuiten of spuiten staat. De trekker van het pistool altijd vergrendelen alvorens de spuitmond te verwijderen, deze te vervangen of deze schoon te maken.

2. Schroef de beschermkap van de spuitmond op het pistool. Draai de moer eerst manueel vast, draai dan steviger vast met een sleutel.

OPMERKING: OWanneer u de beschermkap van de spuitmond op het pistool vastmaakt, breng de beschermkap van de spuitmond op de juiste stand zoals aangetoond in de afbeelding hieronder, maak daarna vast met een sleutel.

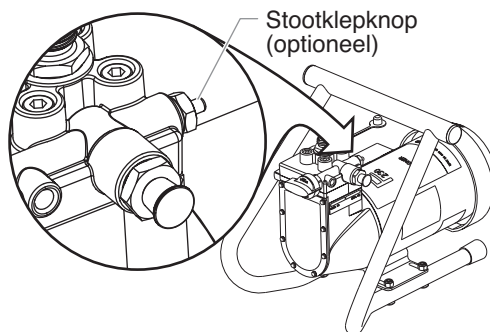


Begin met het vastmaken van de beschermkap van de spuitmond in deze hoek om te

komen tot de gewenste spuihoek wanneer het vastgemaakt is.

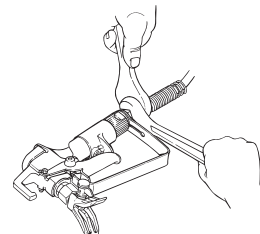
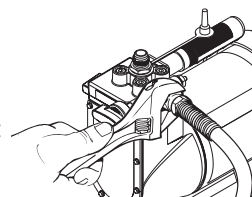
Controleren van de Uitlaatklep (optioneel)

1. Druk de optionele stootklepknop aan de zijkant van de pompbehuizing om ervoor te zorgen dat de kogelklep aan de uitlaat vrij kan bewegen.



De Verfslang vastmaken

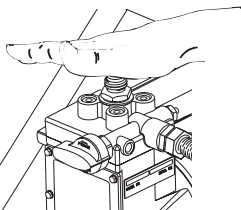
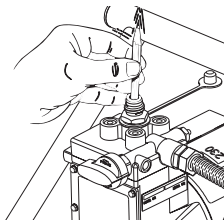
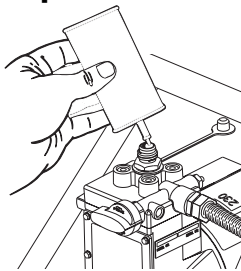
1. Maak de hogedrukslang vast aan de verfspuit. Gebruik een sleutel om de verfslang stevig vast te maken.
2. Maak het spuitpistool vast aan het andere eind van de hogedrukslang. Maak de slang stevig aan het pistool vast door twee sleutels te gebruiken.
3. Steek de spuit in een correct geaard stopcontact of zwaar geaarde verlengkabel. Gebruik niet meer dan 30 meter draad. Indien u van grote afstand van een energiebron moet spuiten, gebruik meer verfslang en niet meer verlengkabel. Gebruik een minimale sterkte van 16 gauge verlengkabel voor een lengte tot 15 meter, of 12 tot 14 gauge voor verlengkabel met een lengte tussen 15 en 30 meter.



Doorspuiten

Vorbereiden om te Doorspuiten

1. Vul de inlaatklep met water of met een lichte huishoudolie.
2. Zorg ervoor dat de PRIME/SPRAY (DOORSPUITEN/SPUITEN) selectiehendel klaar is om te DOOR te SPUITEN en dat de drukcontroleknop in tegenwijzerzin gedraaid is naar de laagste drukstand.
3. Zet de ON/OFF - schakelaar van de motor op ON.
4. Verhoog de druk door de drukcontroleknop een 1/2 draai in wijzerzin te draaien.
5. Zorg ervoor dat de inlaatklep opent en sluit door erop te drukken met een schroevendraaier of het gometje aan het einde van een potlood. Het zou 1,6 mm op en neer moeten gaan. Blijf dit doen tot het water of de olie in de spuit is gezogen. Dit zal de bewegende delen bevochtigen en oude verftresten losmaken.
6. Plaats uw handpalm over de inlaat. Draai de drukcontroleknop in wijzerzin naar de maximale stand. Nu zou u moeten een zuiging ondervinden aan de inlaatklep. Indien dit niet het geval is, ga naar het hoofdstuk over reinigen en bedienen van de uitlaatklep.
7. Draai de drukcontroleknop in tegenwijzerzin naar de minimale drukstand.
8. Zet de ON/OFF schakelaar van de motor op OFF.



Monteren van de Verfbak

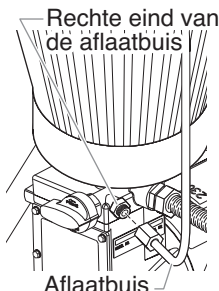
Maak gebruik van de volgende procedure om de verfbak te monteren en de aflatbuis op een verfbak vast te maken.

1. Breng het onderste van de verfbak met de vastgeschroefde inlaatklep op het blok van de verfpomp.
2. Draai de verfbak in wijzerzin om het vast te schroeven op de inlaatklep. Draai de verfbak verder tot het stevig vast zit op de inlaatklep.

OPMERKING: Zorg ervoor dat alles rechttoe geschroefd is en de verfbak vrij draait op de inlaatklep. Schroef niet over elkaar.

3. Plaats het filterscherm in de onderkant van de verfbak en klik het in stand.
4. Zorg ervoor dat de ON/OFF schakelaar van de motor op OFF staat.
5. Schroef de verbinding van de aflatbuis die teruggevonden kan worden in de literatuurset vast op de poort van de aflatbuis aan de zijkant van de pomp.

OPMERKING: Schroef niet te hard vast. Enkel met de hand vastmaken. Sommige kabels zijn hoe dan ook zichtbaar, zelfs als ze stevig vastgeschroefd zijn.



6. Plaats het rechte eind van de aflatbuis in de verbinding van de aflatbuis.
7. Schroef de moer op de aflatbuis vast op de verbinding van de aflatbuis en maak vast tot de aflatbuis stevig vast zit.

8. Plaats het gehaakte einde van de aflatbuis in het gat in het deksel van de verfbak.



Vastmaken van de Zuigset

Maak gebruik van de volgende procedure om de zuigset vast te maken aan een zuigset.

1. Breng de moer op de zuigset in de juiste stand met de vastgeschroefde inlaatklep op het blok van de verfpomp.
2. Draai de moer in wijzerzin om het vast te schroeven op de inlaatklep. Draai de moer verder tot het stevig vast zit op de inlaatklep.

OPMERKING: Zorg ervoor dat alles rechttoe geschroefd is en de moeren vrij draaien op de inlaatklep. Schroef niet over elkaar.

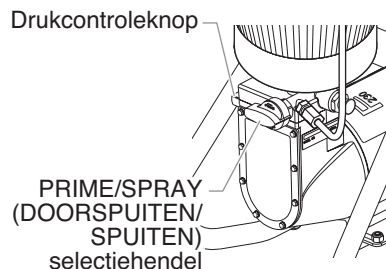
3. Schroef de verbinding van de aflatbuis die teruggevonden kan worden in de literatuurset in de poort van de aflatbuis aan de zijkant van de pomp.

OPMERKING: Schroef niet te hard vast. Enkel met de hand vastmaken. Sommige kabels zijn hoe dan ook zichtbaar, zelfs als ze stevig vastgeschroefd zijn.

4. Plaats het rechte eind van de aflatbuis in de verbinding van de aflatbuis.
5. Verschuif de klem van de aflatbuis op de verbinding van de aflatbuis en maak vast tot de aflatbuis stevig vast zit.

De Pomp Doorspuiten

1. Draai de drukcontroleknop in tegenwijzerzin naar de laagste drukstand.



2. Verwijder het deksel van de verfbak en vul de verfbak met materiaal of plaats de zuigset in een materiaalemmer.
3. Zet de PRIME/SPRAY (DOORSPUITEN/SPUITEN) selectiehendel naar PRIME.
4. Zet de ON/OFF schakelaar van de motor op ON.
5. Draai de drukcontroleknop in wijzerzin tot tussen halve en volledige druk. Laat de eenheid 1 tot 2 minuten doorspuiten nadat het materiaal door de aflatbuis begint te stromen.

LET OP

Zet de druk altijd terug naar nul vooraleer u de stand van de PRIME/SPRAY (DOORSPUITEN/SPUITEN) selectiehendel wijzigt. Indien u dit niet doet, kan het mogelijk schade toebrengen aan het diafragma van de verfpomp.

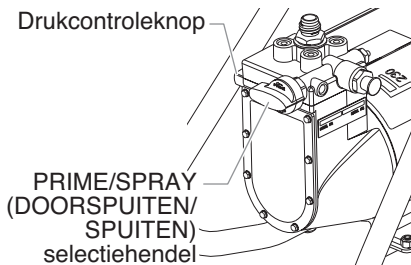
LET OP

Indien de drukcontroleknop teruggezet is op nul en de PRIME/SPRAY (DOORSPUITEN/SPUITEN) selectiehendel zich nog op SPRAY bevindt terwijl de spuit bediend wordt, zal de druk in de slang en het spuitpistool hoog oplopen tot de PRIME/SPRAY (DOORSPUITEN/SPUITEN) selectiehendel op PRIME gezet is of tot de trekker van het spuitpistool overgehaald is om de druk te verlagen.

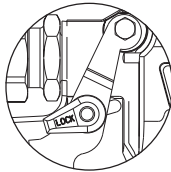
Drukverlagingsprocedure

Volg deze procedure nadat de eenheid gemonteerd is en om het even welke bediening die betrekking heeft op het spuitpistool zoals reiniging en onderhoud of wijzigen van spuitmond of accessoires.

1. Draai de drukcontroleknop in tegenwijzerzin naar de laagste stand.



2. Draai de PRIME/SPRAY (DOORSPUITEN/SPUITEN) selectiehendel naar PRIME.
3. Trigger het pistool to remove any pressure that may still be in the hose.
4. Lock the trigger by rotating the trigger lock forward until it stops.



WAARSCHUWING

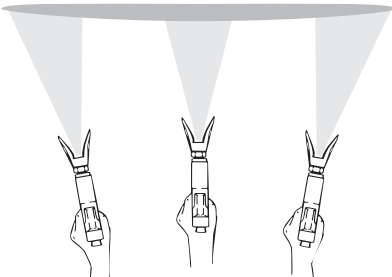
Persoonlijk letsel door injectie. Zorg dat tijdens het spuiten de beschermkap van de spuitmond steeds op zijn plaats blijft. Het spuitpistool SLECHTS activeren wanneer de spuitmond in de stand doorspuiten of spuiten staat. De trekker van het pistool ALTIJD vergrendelen alvorens de spuitmond te verwijderen, deze te vervangen of deze schoon te maken.

Spuiten

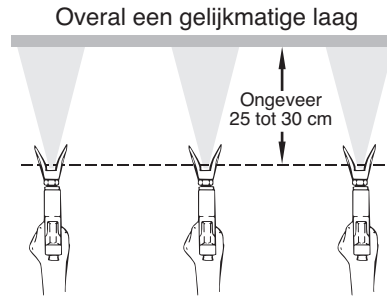
Spruittechniek

Het belangrijkste voor mooi verven is een gelijkmatige laag over het gehele oppervlak. Dit kan bereikt worden door overal op dezelfde manier te verven. Blijf steeds op dezelfde snelheid verven en hou het spuitpistool op eenzelfde afstand van het oppervlak. De beste spuitafstand is 25 tot 30 cm tussen de spuitmond en het oppervlak.

Lichte Laag Dikke Laag Lichte Laag

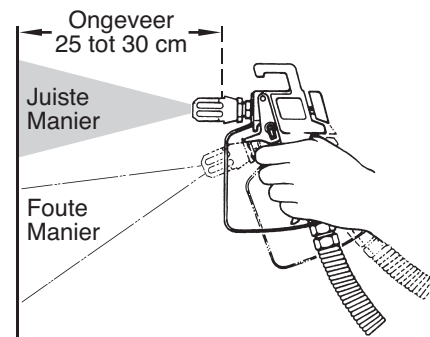


Hou het spuitpistool in een rechte hoek met het oppervlak. Dit betekent dat u uw volledige arm heen en weer beweegt in plaats van enkel uw pols te buigen.



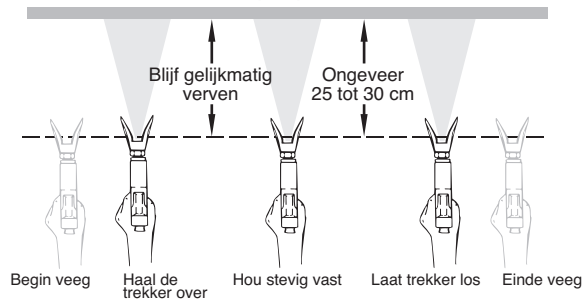
Blijf soepel en op dezelfde snelheid verven.

Hou het spuitpistool in een rechte hoek met het oppervlak, anders zal één kant van het patroon dikker zijn dan de andere.



Het spuitpistool moet functioneren door aan en uit te schakelen met elke veeg. Dit zal materiaal besparen en vermijden dat er materiaal ophoopt aan het einde van de veeg. Haal de trekker niet over in het midden van een veeg. Dit zal zorgen voor een ongelijkmatige spuiting en een oppervlak vol vlekken.

Correcte manier om het spuitpistool te doen functioneren



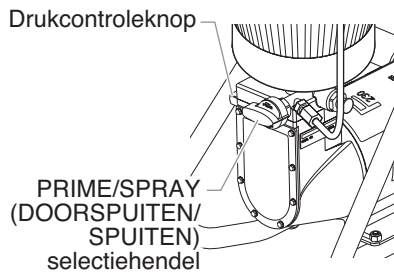
Ga over elke veeg met ongeveer 30%. Dit zal zorgen voor een gelijkmatige laag.


Wanneer u ophoudt met verven, vergrendel het pistool, draai de drukcontroleknop in tegenwijzerzin naar de laagste stand en zet de PRIME/SPRAY (DOORSPUITEN/SPUITEN) selectiehendel op PRIME. Zet de ON/OFF schakelaar van de motor op OFF en maak de spuit los.

Indien u denkt dat u langer dan 1 uur weg zal blijven, volg dan de kort opruimprocedure op, beschreven in het hoofdstuk OPRUIMEN van deze handleiding.

Gebruik

1. Zorg ervoor dat er geen knikken in de verfslang zijn of dat het uit de buurt gehouden wordt van scherpe voorwerpen.
2. Draai de drukcontroleknop in tegenwijzerzin naar de laagste stand.

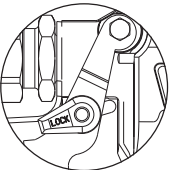



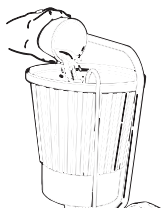
3. Zet de PRIME/SPRAY (DOORSPUITEN/SPUITEN) selectiehendel op SPRAY.
4. Draai de drukcontroleknop in wijzerzin naar de hoogste stand. De verflang zou moeten opzwellen door het doorstromende materiaal.
5. Ontgrendel het pistool door de schakelaar zo te draaien dat het evenwijdig staat ten opzichte van de handgreep.
 
6. Haal de trekker van het spuitpistool over om de lucht uit de slang te spuiten.
 
7. Spuit een testoppervlak om het spuitpatroon te controleren wanneer er materiaal de spuitmond bereikt.
8. Maak gebruik van de laagste drukstand die nodig is om een mooi spuitpatroon te verkrijgen. Als de druk te hoog is, zal het spuitpatroon te licht zijn. Als de druk te laag is, zullen er sporen verschijnen of de verf zal er in klonters uitkomen in plaats van in een fijne spray.

Opruimen

Korte Opslagtijd


Uitschakelen

1. Draai de drukcontroleknop in tegenwijzerzin naar de laagste stand.
2. Zet de PRIME/SPRAY (DOORSPUITEN/SPUITEN) selectiehendel op PRIME om druk uit het systeem vrij te laten.
3. Haal de trekker van het pistool over om de druk die mogelijk nog in de slang zit vrij te laten.
4. Vergrendel de trekker door de grendel van de trekker voorwaarts te draaien tot het stopt.
 
5. Zet de ON/OFF schakelaar van de motor op OFF en maak de spuit los.
6. Enkel voor latexmateriaal: giet 1/2 kop water langzaam op de bovenkant van de verf om te voorkomen dat de verf opdroogt. Voor andere materialen: sluit de materiaalhouder of verfbak (met het deksel van de verfbak) af, en hou hierbij de aflatbuis in het materiaal.
 



7. Wikkel het spuitpistool in een vochtige doek en plaats het in een plastic zak. Maak de zak stevig dicht.
8. Leg de spuit op een veilig plaats uit de zon voor een korte periode.

Opstarten

1. Haal het pistool uit de plastic zak.
2. Vermeng het water met de verf voor latexmaterialen. Haal het deksel van de verfbak of materiaalhouder en roer de verf voor alle andere materialen.
 
3. Controleer om zeker te zijn dat de PRIME/SPRAY (DOORSPUITEN/SPUITEN) selectiehendel op PRIME gezet is en dat de druk er volledig uitgehaald is.
4. Sluit de spuit aan en zet de ON/OFF schakelaar van de motor op ON.
5. Nadat de spuit doorgespoten is, draai de PRIME/SPRAY (DOORSPUITEN/SPUITEN) selectiehendel naar SPRAY en draai de drukcontroleknop geleidelijk aan in wijzerzin om de druk te verhogen.
6. Test de spuit uit op een oefenoppervlak en begin te spuiten.

Lange Opslagtijd

⚠ WAARSCHUWING

Zorg ervoor dat er geen materiaal ophoopt op de motor, of de motor zal oververhitten. Zorg ervoor dat er geen ontvlambare oplosmiddelen in contact komen met de motor, want ze zouden kunnen ontvlammen.

OPMERKING: U zult een emmer, zeeoplossing, een tandenborstel, een sleutel en vodden om te reinigen nodig hebben.

⚠ LET OP

Gebruik geen spiritus of verfverdunder op latexverf, of de mengeling zal veranderen in een gelachtige oplossing die moeilijk te verwijderen is.

De Verfbak leegmaken

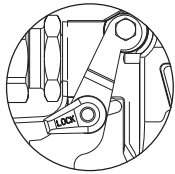
Maak gebruik van de volgende procedure om het materiaal uit de verfbak van een verfbak te verwijderen.

1. Vergrendel de trekker door de grendel van de trekker voorwaarts te draaien tot het stopt.
 
2. Draai de drukcontroleknop in tegenwijzerzin naar de laagste stand.
3. Zet de PRIME/SPRAY (DOORSPUITEN/SPUITEN) selectiehendel op PRIME.
4. Zet de ON/OFF schakelaar van de motor op OFF.
5. Breng de aflatbuis in de originele materiaalhouder in.
6. Zet de ON/OFF schakelaar van de motor op ON.
7. Draai de drukcontroleknop naar de helft van de maximale druk. Dit zal het resterende materiaal in de verfbak door de pomp, in de aflatbuis en in de materiaalhouder drijven.
8. Draai de drukcontroleknop in tegenwijzerzin naar de laagste drukstand.
9. Haal de trekker van het pistool over om de druk te verlagen en het pistool te vergrendelen.
10. Verwijder de spuitmond en beschermkap van de spuitmond en plaats deze in een waterhouder of geschikte oplossing voor het soort materiaal waarmee u verft.
11. Vul de verfbak met water of geschikte oplossing voor het soort materiaal waarmee u verft.
12. Breng de aflatbuis in een afvallemmer in.
13. Verhoog de druk tot de helft van de maximale druk. Laat het water of de oplossing gedurende 2 tot 3 minuten stromen om het materiaal uit de pomp, de verfbak en de aflatbuis te spoelen.

De Zuigset leegmaken

Gebruik de volgende procedure om het materiaal uit de zuigbuis van een zuigset te verwijderen.

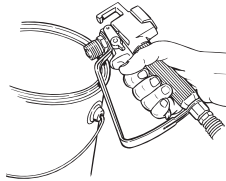
1. Draai de drukcontroleknop in tegenwijzerzin naar de laagste stand.
2. Zet de PRIME/SPRAY (DOORSPUITEN/SPUITEN) selectiehendel op PRIME.
3. Zet de ON/OFF schakelaar van de motor op OFF.
4. Wacht enkele seconden, haal daarna de trekker van het pistool over in de materiaalhouder om opgelopen vloeistofdruk van de pomp te verlagen.
5. Vergrendel de trekker door de grendel van de trekker voorwaarts te draaien tot het stopt.
6. Verwijder de zuigslang uit het materiaal en hou het boven een emmer water of oplossing. Laat de aflaatslang in de materiaalhouder.
7. Zet de ON/OFF schakelaar van de motor op ON.
8. Draai de drukcontroleknop naar de helft van de maximale druk. Dit zal het resterende materiaal in de zuigbuis door de pomp, uit de aflaatslang en in de materiaalhouder drijven.
9. Draai de drukcontroleknop in tegenwijzerzin naar de laagste stand.
10. Plaats de vastgemaakte zuigbuis en aflaatslang in de houder met water of geschikte oplossing.
11. Verwijder de spuitmond en beschermkap van de spuitmond en plaats deze in een houder met de geschikte oplossing.
12. Verhoog de druk tot de helft van de maximale druk. Laat het water of de oplossing gedurende 2 tot 3 minuten stromen om het materiaal uit de pomp, de zuigbuis en de aflaatslang te spoelen.



Trekker vergrendeld (pistool zal niet spuiten)

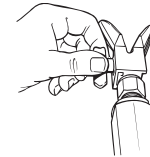
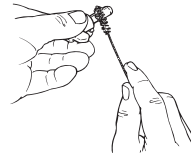
De Verfslang leegmaken

1. Om het materiaal dat in de slang is overgebleven te sparen, ontgrendel het pistool en haal voorzichtig de trekker van het pistool zonder de spuitmond over tegen de binnenkant van de materiaalhouder.
2. Draai de drukcontroleknop in tegenwijzerzin naar de laagste drukstand.
3. Zet de PRIME/SPRAY (DOORSPUITEN/SPUITEN) selectiehendel op SPRAY.
4. Draai langzaam de drukcontroleknop tot het materiaal begint te stromen in de emmer. Haal de trekker over zodra het water of de oplossing in de emmer terechtkomt.
5. Schakel over op schoon water of oplossing, richt het pistool naar de zijkant van de afvallemmer en laat gedurende nog eens 5 minuten stromen om de slang, pomp en spuitpistool grondig te reinigen.
6. Draai de drukcontroleknop in tegenwijzerzin naar de laagste stand.
7. Zet de PRIME/SPRAY (DOORSPUITEN/SPUITEN) selectiehendel op PRIME.
8. Haal de trekker van het pistool over om gelijk welke overgebleven druk in de slang te verwijderen.
9. Vergrendel de trekker door de grendel van de trekker voorwaarts te draaien tot het stopt.
10. Zet de ON/OFF schakelaar van de motor op OFF.
11. Bedek de materiaalhouder en zet het opzij.

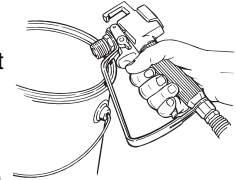
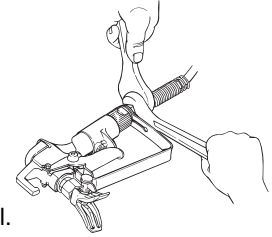


Het pistool leegmaken

1. Verwijder het spuitpistool van de verfslang door twee aanpasbare sleutels te gebruiken.
2. Verwijder de filterbehuizing van het pistool. Plaats het pistool en de filter in een houder met water of oplossing om te weken.
3. Reinig de spuitmond en pistoolfilter met een zachte borstel.
4. Monteer het pistool en de filter opnieuw. Monteer de spuitmond in de reinigingsstand met het pijltje wijzend naar de achterkant van het pistool.



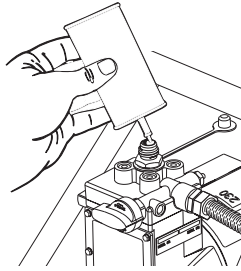
5. Maak de verfslang vast aan het pistool en maak stevig vast door twee sleutels te gebruiken.
6. Zet de ON/OFF schakelaar van de motor op ON.
7. Ontgrendel het pistool door de grendel van het pistool zo te draaien dat het evenwijdig staat met de handgreep van het pistool.
8. Zet de PRIME/SPRAY (DOORSPUITEN/SPUITEN) selectiehendel op SPRAY en richt het pistool naar de zijkant van de afvallemmer.
9. Haal de trekker over van het pistool en draai de drukcontroleknop in geleidelijk aan wijzerzin naar de helft van de druk. Blijf de trekker van het pistool overhalen gedurende ongeveer 30 seconden.
10. Draai de drukcontroleknop in tegenwijzerzin naar de laagste stand.
11. Zet de PRIME/SPRAY (DOORSPUITEN/SPUITEN) selectiehendel op PRIME.
12. Haal de trekker over van het pistool om gelijke welke resterende druk in de slang te verwijderen.
13. Vergrendel de trekker door de grendel van de trekker voorwaarts te draaien tot het stopt.
14. Zet de ON/OFF schakelaar van de motor op OFF.



Definitieve Opruiming

2. Zet de motor op ON.
3. Zet de PRIME/SPRAY (DOORSPUITEN/SPUITEN) selectiehendel op SPRAY.
4. Draai de drukcontroleknop in wijzerzin naar de helft van de druk.
5. Haal de trekker van het pistool over in de reinigingsemmer tot de bak of de oplossingsemmer leeg is.
6. Vul de verfbak of oplossingsemmer en blijf het systeem spoelen tot de oplossing die uit het pistool komt schoon lijkt te zijn.
7. Vergrendel het pistool en draai de drukcontroleknop in tegenwijzerzin naar de laagste stand.
8. Zet de PRIME/SPRAY (DOORSPUITEN/SPUITEN) selectiehendel op PRIME.
9. Verwijder de verfbak of de zuigset van de inlaatklep.
10. Reinig de kabels van de inlaatklep met een vochtig doekje.
11. Vul de inlaatklep met een lichte huishoudolie.
12. Zet de PRIME/SPRAY (DOORSPUITEN/SPUITEN) selectiehendel op SPRAY om de olie te verdelen.

OPMERKING: Grondige reiniging en oliën van de pomp na gebruik zijn de belangrijkste stappen die u kunt ondernemen om zeker te zijn van een correcte werking na opslag.



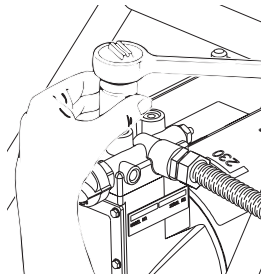
13. Draai de drukcontroleknop in tegenwijzerzin naar de laagste stand.
14. Zet de PRIME/SPRAY (DOORSPUITEN/SPUITEN) selectiehandel op PRIME.
15. Haal de trekker van het pistool over om gelijke welke resterende druk in de slang te verwijderen.
16. Vergrendel de trekker door de grendel van de trekker voorwaarts te draaien tot het stopt.
17. Zet de ON/OFF schakelaar van de motor op OFF.
18. Verwijder filter van de verfbak en reinig in schoon water of de geschikte oplossing. Gebruik een zachte borstel.
19. Breng de filter van de verfbak weer in positie in de verfbak.
20. Vervang de verfbak of zuigset op de inlaatklep.
21. Veeg het volledige toestel, de slang en het pistool af met een vochtig doekje en verwijder opgestapeld materiaal.

Onderhoud

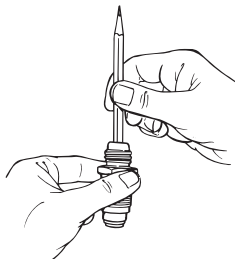
Volg deze procedures wanneer u problemen ondervindt die in het hoofdstuk probleemoplossingen vermeld staan.

Verwijderen en Reinigen van de Inlaatkleppen

1. Voer de Drukverlagingsprocedure door, schakel het toestel uit en haal het uit het stopcontact.
2. Verplaats de inlaatklep door een dop- of pijpsleutel van 27 mm te gebruiken.
3. Test de beweging van de klep door erop te drukken aan het open uiteinde van het klephuis met een schroevendraaier of het gommetje aan het einde van een potlood. Het zou 0,15 mm op en neer moeten gaan. Als het niet beweegt, dient het gereinigd of vervangen te worden.



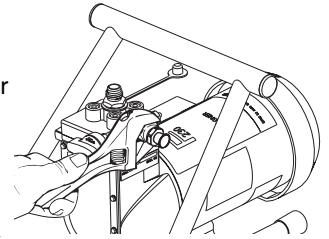
OPMERKING: De inlaatklep moet geolied worden na elk gebruik. Dit zal de volgende keer dat de spuit gebruikt wordt problemen met betrekking tot het doorspuiten verminderen of uitschakelen.



4. Reinig de klep grondig met water of een geschikte oplossing. Gebruik een kleine borstel.
5. Wanneer de klep grondig is gereinigd en er lekt water uit de onderkant, is de klep versleten en dient het vervangen te worden. Een correct geplaatste klep gevuld met water lekt niet in een verticale positie.
6. Installeer een nieuwe of gereinigde klep in de pompblok en vul daarna de klep met lichte olie of oplossing.

Verwijderen en Reinigen van de Uitlaatklep

Het kan nodig zijn de uitlaatklep te verwijderen en te reinigen of onderdelen in de klep te vervangen die versleten zijn door gewoon gebruik.



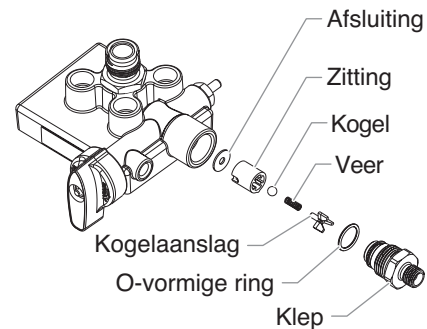
1. Verwijder de uitlaatklep met een sleutel.
2. Verwijder en reinig de kogelaanslag en de kleine veer in de klep door gebruik te maken van een kabelhaak of een pincet. Vervang de veer indien deze gebroken of versleten is.

OPMERKING: Deze veer is vervaardigd voor een zeer specifieke druk. Plaats het niet in een niet-toegelaten substituuut. Bekijk het onderdelendiagram van de verfpomp voor het correcte nummer van het vervangingsonderdeel.

3. Verwijder de zitting en kogel.
4. Reinig alle onderdelen grondig. Vervang de kogel of zitting door nieuwe onderdelen wanneer deze gelijk welk teken van slijtage of schade aangeven. Deze carbide kogel moet nauw tegen de zitting ervan aansluiten zodat de klep normaal kan functioneren.
5. Bedek alle onderdelen met een dunne laag lichte olie voor een nieuwe montage.

OPMERKING: U dient de rand van de zitting in de juiste positie te brengen met de gleuf in het pomphuis wanneer u opnieuw monteert.

6. Breng de kogel in de klep in.
7. Breng de kogelaanslag en veer in en vervang de klep. Zorg ervoor dat de o-vormige ring correct is geplaatst en dat de tong op de dop in de veer past.
8. Maak de klep stevig vast met een aanpasbare sleutel. Maak het niet te hard vast.



Vrijmaken van het Scherm van de Verfbak

Het scherm aan de onderkant van de verfbak dient mogelijk af en toe gereinigd te worden. Controleer het telkens u verf toevoegt. Verwijder het scherm door het uit de verfbak te trekken met een tang. Reinig het scherm met water of oplossing en een zachte borstel, indien nodig.



Probleemoplossingen

Probleem

De spuit werkt niet.

Oorzaak

1. De spuit zit niet in het stopcontact.
2. De ON/OFF schakelaar staat op OFF.
3. Er zit een laag of geen voltage op het stopcontact in de muur.
4. De spuit werd afgezet terwijl het nog onder druk stond.
5. De verlengkabel is beschadigd of de capaciteit ervan is te laag
6. De thermische overbelasting op de spuit hapert.
7. Er is een probleem met de motor.

Oplossing

1. Steek de spuit in het stopcontact.
2. Zet de ON/OFF switch op ON.
3. Test het voltage van de energiebron grondig.
4. Zet de PRIME/SPRAY (DOORSPUITEN/SPUITEN) selectiehendel op PRIME.
5. Vervang de verlengkabel.
6. Laat de motor afkoelen en verplaats de spuit naar een koelere plaats.
7. Breng de spuit naar een door Wagner Erkend Servicecentrum.

De spuit werkt, maar vult niet op met verf wanneer de PRIME/SPRAY (DOORSPUITEN/SPUITEN) selectiehendel op PRIME gezet is.

1. Het toestel wil niet correct doorspuiten of heeft doorspuiting verloren.
2. De verfbak is leeg.
3. De filter van de verfbak is verstopt.
4. De inlaatklep zit vast.
5. De uitlaatklep zit vast.
6. De PRIME/SPRAY (DOORSPUITEN/SPUITEN) selectiehendel is geplugd.
7. De inlaatklep is versleten of beschadigd.
8. Er is een probleem met het diafragma.
9. Het hydraulische oliepeil is laag of leeg.

1. Probeer nog een keer door te spuiten.
2. Vul de verfbak met verf.
3. Reinig de filter van de verfbak.
4. Reinig de inlaatklep.
5. Reinig de uitlaatklep en vervang alle versleten onderdelen.
6. Breng de spuit naar een door Wagner Erkend Servicecentrum.
7. Vervang de inlaatklep.
8. Breng de spuit naar een door Wagner Erkend Servicecentrum.
9. Breng de spuit naar een door Wagner Erkend Servicecentrum.

De spuit vult op met verf, maar de druk daalt wanneer de trekker van het pistool wordt aangehaald.

1. De spuitmond is versleten.
2. De filter van de verfbak is verstopt.
3. Het pistool of de filter van de spuitmond is geplugd.
4. De verf is te zwaar of te grof.
5. De uitlaatklep is vuil of versleten.
6. De inlaatklep is beschadigd of versleten.

1. Vervang the spuitmond door een nieuwe.
2. Reinig de filter van de verfbak.
3. Reinig of vervang de juiste filter. Zorg ervoor dat u altijd extra filters bij de hand hebt.
4. Verdun de verf of giet ze af.
5. Reinig of vervang de uitlaatklep.
6. Vervang de inlaatklep.

De spuit houdt niet op.

1. De kogel van de inlaat- of uitlaatklep is versleten.
2. Er is een ophoping van vreemde substantie of verf tussen de kogel en de zitting.

1. Breng de spuit naar een door Wagner Erkend Servicecentrum.
2. Breng de spuit naar een door Wagner Erkend Servicecentrum.

Het spuitpistool lekt.

1. Interne onderdelen van het pistool zijn versleten of vuil.

1. Breng de spuit naar een door Wagner Erkend Servicecentrum.

De spuitmond lekt.

1. De spuitmond is verkeerd gemonteerd.
2. Een afsluiting is versleten.

1. Controleer de spuitmond en monteer op correcte manier.
2. Vervang de afsluiting.

Het spuitpistool spuit niet.

1. De spuitmond, de pistoolfilter of de filter van de spuitmond is geplugd.
2. De spuitmond bevindt zich in de CLEAN stand.

1. Reinig de spuitmond, pistoolfilter of filter van de spuitmond.
2. Zet de spuitmond in de SPRAY stand.

Het verfpatroon laat een spoor na.

1. De druk is te laag afgesteld.
2. Het pistool, de spuitmond of de filter van de verfbak is geplugd.
3. De spuitmond is versleten.
4. De verf is te dik.

1. Verhoog de druk.
2. Reinig de filters.
3. Vervang de spuitmond.
4. Verdun de verf.

De thermische overbelasting hapert en sloot de spuit af.

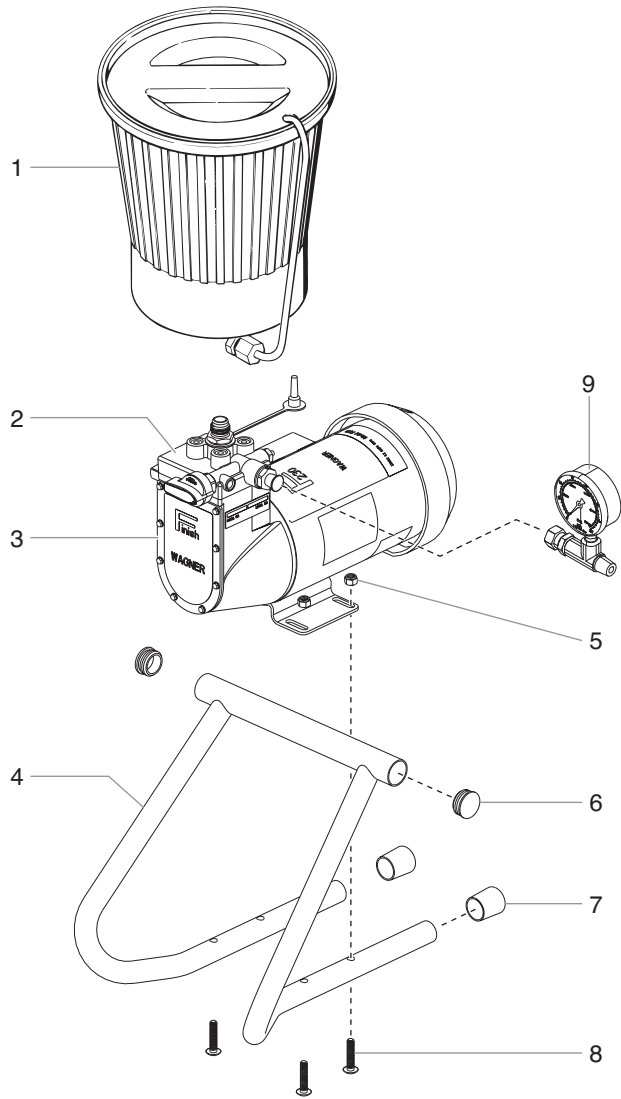
1. De motor is oververhit.
2. De verlengkabel is te lang of de gauge is te laag.
3. Verf is opgehoopt op de motor.
4. De motor werd opgestart terwijl de spuit onder druk stond.
5. The sprayer was sitting in the hot sun.

1. Laat afkoelen gedurende 30 minuten.
2. Laat afkoelen gedurende 30 minuten en vervang de verlengkabel door een kortere draad of door een draad met een hogere gauge.
3. Reinig de verf van de motor.
4. Start de spuit opnieuw op in de PRIME modus.
5. Leg de spuit uit het zonlicht.

OPMERKING: Verwijder de PRIME/SPRAY (DOORSPUITEN/SPUITEN) selectiehendel en reinig of vervang het wanneer de PRIME/SPRAY (DOORSPUITEN/SPUITEN) selectiehendel op SPRAY gezet is en er stroming door de aflatbuis is.

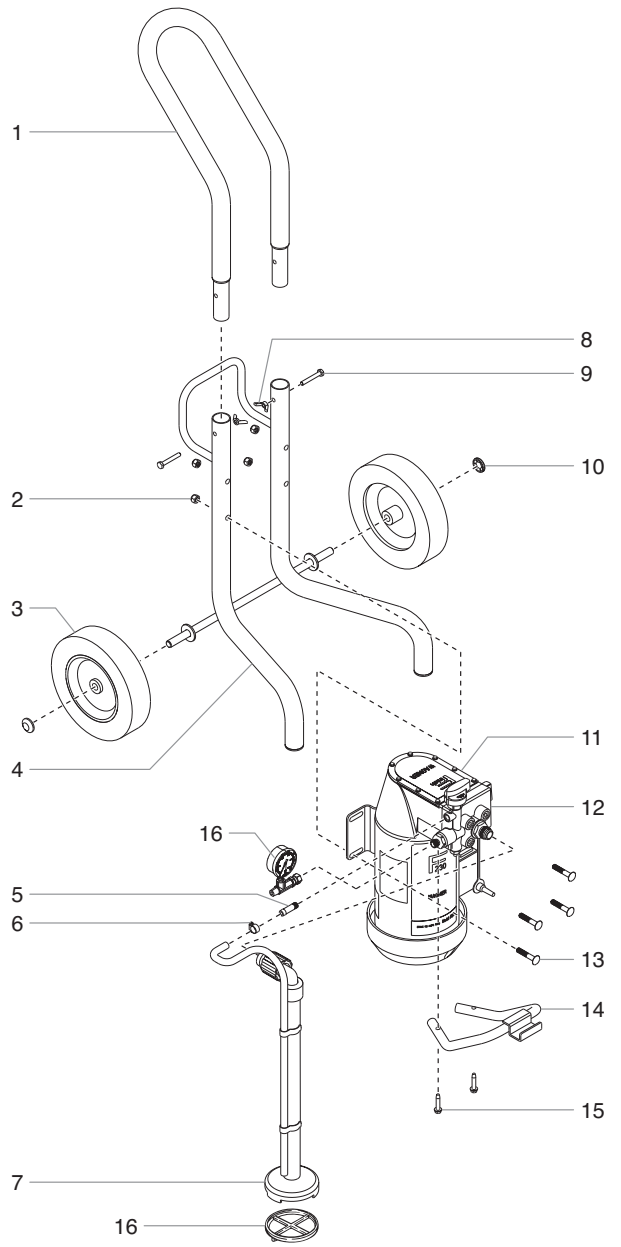
OPMERKING: De elektrische motor dient altijd schoon en droog gehouden te worden. Verf dient als isolatiemiddel. Te veel verf op de motor veroorzaakt oververhitting van de motor.

Onderdelenlijst Hoofdmontage – Verfbak



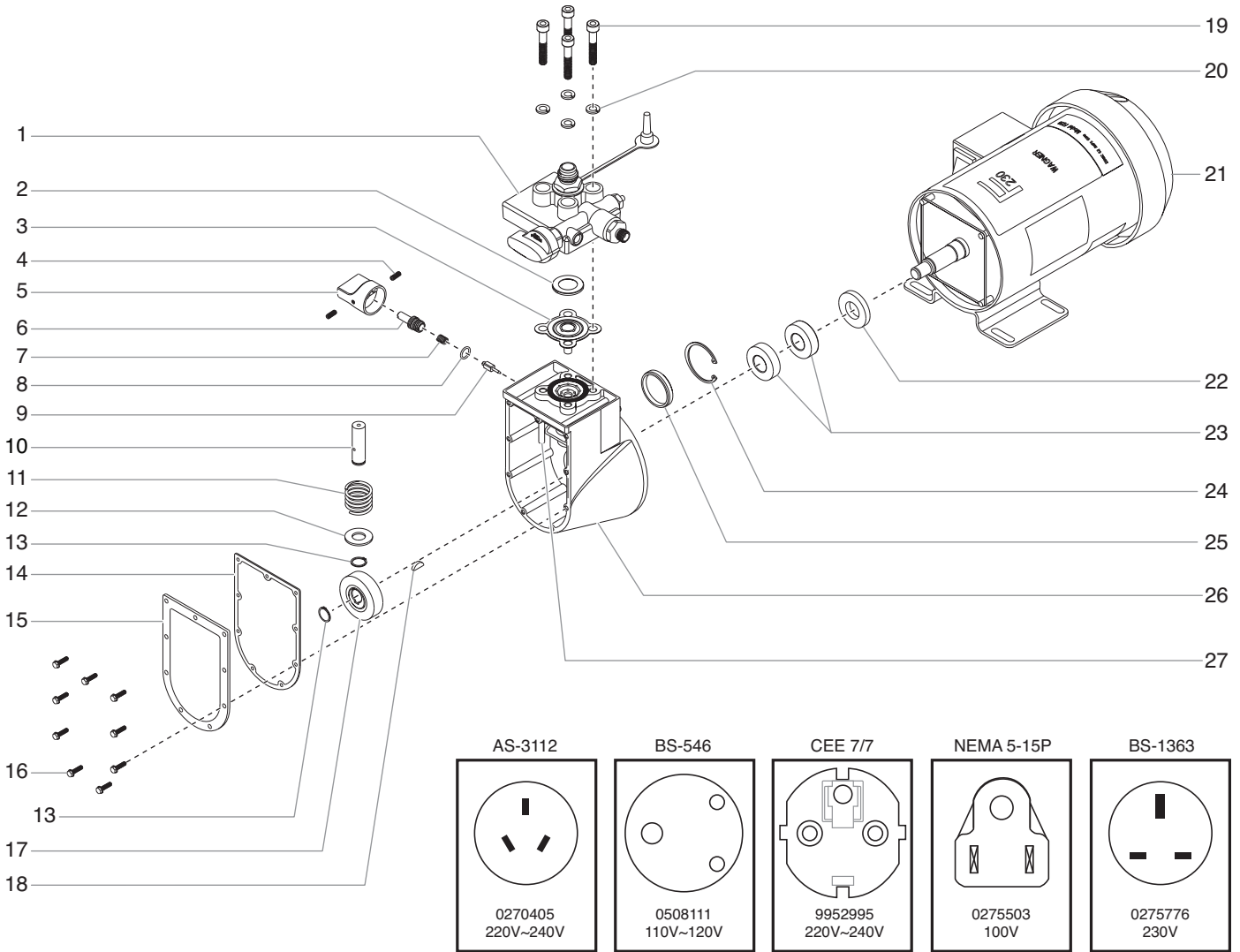
Artikel	Onderdeel #	Beschrijving	Hoeveelheid
1	0288144	Verfbak.....	1
2	-----	Pomphoofd	1
3	0281118	Diafragma pomp, 220–240 VAC	1
	0311200	Diafragma pomp, 100–120 VAC	1
4	0278310	Stand	1
5	9811122	Vergrendelmoer	4
6	0294635	Plug.....	2
7	0270343	Buisdop.....	2
8	9805213	Slotbout.....	4
9	0508239	Drukmeter (wanneer uitvoeren met)....	1

Hoofdmontage – Zuigset



Artikel	Onderdeel #	Beschrijving	Hoeveelheid
1	0508251	Handgreep	1
2	9811122	Blokkeermoer.....	4
3	0512396	Wiel.....	2
4	0508255	Kader	1
5	0088715	Verbinding aflaatslang	1
6	0327226	Klem aflaatslang	1
7	0278147	Zuigset (bevat artikel 16).....	1
8	9810111	Vleugelmoer.....	2
9	9800108	Schroef	2
10	9810113	Asdop.....	2
11	0555126	Diafragma pomp, 220–240 VAC	1
	0311200	Diafragma pomp, 100–120 VAC	1
12	-----	Pomphoofd	1
13	9802533	Slotbout.....	4
14	0278364	Emmerhaak	1
15	9802519	Schroef	2
16	0270369	Filter.....	1
17	0508239	Drukmeter (wanneer uitvoeren met)....	1

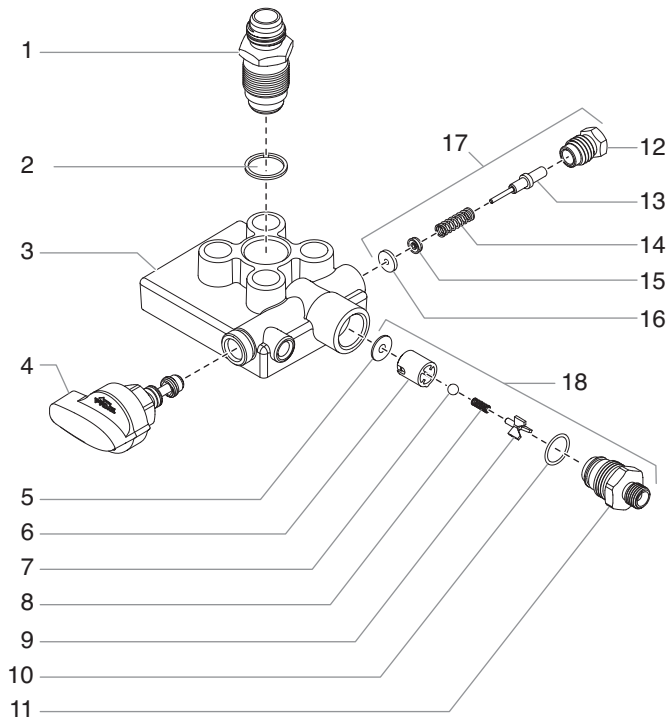
Diafragma pomp (P/N 0555126 / 220–240 VAC of P/N 0311200 / 100–120 VAC)



Artikel	Onderdeel #	Beschrijving	Hoeveelheid
1	0311215	Pompstuk	1
2	0270494	Diafragma ring	1
3	0270201	Diafragma	1
4	9801109	Aandrukschroef	2
5	0288775	Drukcontroleknop	1
6	0270529	Afsluitstang	1
7	0047373	Drukregulerende veer	1
8	0089518	O-vormige ring	1
9	0089475	Druk kraan	1
10	0278345	Hydraulische zuiger	1
11	0005311	Zuigerveer	1
12	0270550	Zuigersluitring	1
13	0047393	Borgring	2
14	0278359	Pakking	1
15	0278341	Hydraulisch deksel	1
16	9800049	Schroef	9
17	0090031	Excentrische spuitbus en houder	1

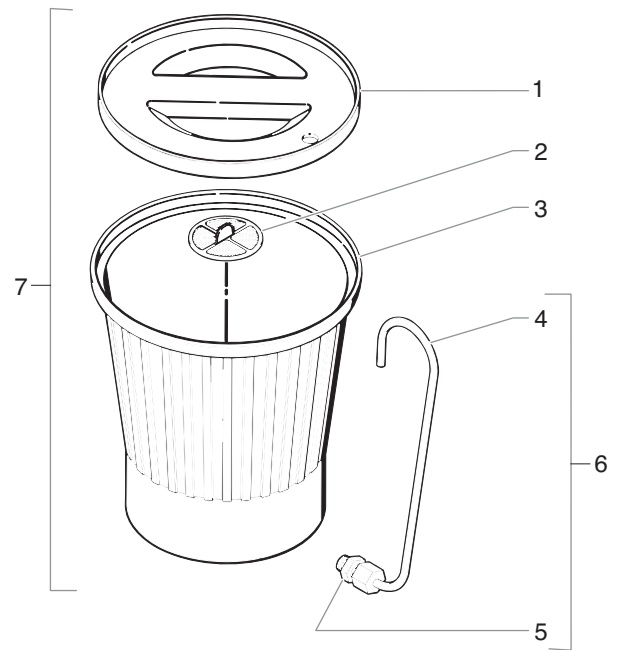
Artikel	Onderdeel #	Beschrijving	Hoeveelheid
18	0089829	Assleutel	1
19	9900355	Dopschroef (Draaimoment voor 20.3 Nm)4
20	9921601	Afdichtring	4
21	0508295	Motor, 220–240 VAC, zuigset (bevat artikelen 28 en 29)	1
	0281117	Motor, 220–240 VAC, verfbak (bevat artikelen 28 en 29)	1
	0278469	Motor, 100–120 VAC (bevat artikelen 28 en 29)	1
22	0270524	Afsluiting	1
23	0270490	Kogelhouder	2
24	0311400	Borgveer	1
25	9870117	Plugafsluiting	1
26	0278238	Hydraulische behuizing (bevat artikelen 22–25)	1
27	0278387	Verloopstuk	1
28	0270462	Ventilator (niet afgebeeld)	1
29	0270612	Ventilatordeksel (niet afgebeeld)	1
	-----	Stroomkabel (niet afgebeeld, zie boven)	1

Pomphoofd



Artikel	Onderdeel #	Beschrijving	Hoeveelheid
1	0278242	Inlaatklep (bevat artikel 2)	1
2	0089482	Afsluitring, nylon	1
3	0278334	Verfpomp	1
4	0555901	PRIME/SPRAY (DOORSPUITEN/ SPUITEN) selectiehendel	1
5	0278362	Uitlaatafsluiting	1
6	0278241	Kogelzitting	1
7	0093635	Kogel.....	1
8	0047485	Uitlaatveer.....	1
9	0278361	Kogelbaan.....	1
10	9871114	O-vormige ring	1
11	0278335	Uitlaatverbinding	1
12	0278337	Stoter	1
13	0278250	Stootstang.....	1
14	0278368	Stootveer	1
15	0156646	Afsluiting	1
16	0278340	Stootring	1
17	0508199	Stoter-geheel (bevat artikelen 12 tot en met 16)	1
18	0508198	Uitlaatventiel (bevat artikelen 5 tot en met 11)	1

Verfbak



Artikel	Onderdeel #	Beschrijving	Hoeveelheid
1	0279591	Deskel, verfbak	1
2	0089917	Filterscherf, fijn (afgebeeld)	1
3	0088871	Filterscherf, grof	1
4	0093865	Aflaatbuis	1
5	0403309	Verbinding	1
6	0090560	Aflaatbuis (bevat artikelen 4 en 5).....	1
7	0288144	Verfbak volledig (bevat artikelen 1 tot en met 6)	1

Indholdsfortegnelse

Sikkerhedsforanstaltninger	74
Generel beskrivelse	75
Specifikationer	76
Forberedelse før maling	76
Snapse	77
Forberedelse til at snapse	77
Montering af malingsbeholderen	77
Montering af indsugningsstykket	77
At snapse pumpen	77
Frengangsmåde for trykafkastning	78
Sprøjtemaling	78
Rengøring	79
Vedligeholdelse	81
Fejlfinding	82
Reserveudrustning	83
Hovedsamlingen — Beholderenheden	83
Hovedsamlingen — Indsugningsenheden	83
Membranpumpe	84
Pumpehovedsamlingen	85
Beholdersamlingen	85

Sikkerhedsforanstaltninger

Denne manual indeholder information, som skal læses og forstås, før udstyret tages i brug. Når De kommer til et sted, der har et af de følgende symboler, bør De læse det med særlig opmærksomhed og sikre, at de nævnte beskyttelsesforanstaltninger bliver truffet.



Dette symbol indikerer en potentiel fare, som kan forårsage alvorlig personskade eller dødsfald. Vigtig sikkerhedsinformation følger.



Dette symbol indikerer en potentiel fare for Dem eller for udstyret. Vigtig information følger, som fortæller hvordan beskadigelse af udstyret undgås, og hvordan anledninger til mindre personskader kan undgås.

BEMÆRK: Bemærk giver vigtig information, som bør tildeles speciel opmærksomhed.



Denne enhed er forsynet med en termoafbryder med automatisk genopretning. Hvis der opstår overspænding, vil termoafbryderen automatisk afbryde strømforsyningen til motoren.

- Motoren genstarter uden forvarsel, når termoafbryderen automatisk genopretter strømforsyningen.
- Fjern altid motorens tilslutning til strømforsyningen, når der skal udføres arbejder på udstyret.
- Når termoafbryderen med automatisk genopretning kobler motoren fra strømforsyningen, skal trykket udløses ved at dreje snapseventilen til PRIME.
- Drej ON/OFF (Tænd/Sluk) kontakten til OFF.



FARE: Injektionsskade - En højtryksvæskestrøm frembragt af dette udstyr kan gennemtrænge huden og det underliggende væv, hvilket kan føre til alvorlig personskade og risiko for amputation.



BEHANDL IKKE EN INJEKTIONSSKADE SOM ET ALMINDELIGT SÅR! Injektion kan føre til amputation. Søg øjeblikkeligt læge.

Apparatets maksimale arbejdsstrykniveau er 20,7 MPa (3000 PSI) væsketryk.

PRÆVENTION:

- Sigt ALDRIG pistolen mod nogen del af kroppen.
- Tillad ALDRIG nogen del af kroppen at berøre væskestrømmen. LAD IKKE kroppen komme i berøring med en utæthed i væskeslangen.
- Sæt ALDRIG hånden foran pistolen. Handsker yder ikke beskyttelse mod injektionsskade.
- Lås ALTID pistolaftrækkeren, sluk for pumpen, og aftag al tryk før serviceeftersyn, rensning af spids eller værn, udskiftning af spids, eller før anlægget forlades uden opsyn. Trykket aftages ikke ved at motoren slukkes. PRIME/SPRAY-ventilen eller afluftningsventilen skal være indstillet på den korrekte position for at kunne aflaste systemtrykket. Der henvises til TRYKAFLASTNINGSPROCEDUREN, der er beskrevet i denne manual.
- Hold ALTID spidsens værn på plads, imens der sprøjtes. Spidsens værn yder nogen beskyttelse, men det er hovedsageligt en advarselsanordning.
- Fjern ALTID sprøjtespiden, før systemet skylles eller renses.
- Farveslangen kan udvikle utætheder på grund af slitage, svingninger og mishandling. En utæthed kan sprøjte materiale ind i huden. Kontrollér slangen før hver anvendelse.
- Anvend ALDRIG en sprøjtepistol, uden at der er en fungerende aftrækkerlås og aftrækkerbøjle på plads.
- Alt tilbehør skal være klassificeret ved eller over sprøjtesens maksimale arbejdsstrykniveau. Dette inkluderer sprøjtespidser, pistoler, forlængere, og slange.

BEMÆRKNING TIL LÆGE:

Injektion i huden er en traumatisk personskade. Det er vigtigt at behandle skaden hurtigst muligt. Udsæt IKKE behandling for at undersøge toksicitet. Toksicitet er foruroligende ved nogle malinger, hvis de sprøjtes direkte ind i blodstrømmen. Det kan være tilrådeligt at konsultere en plastikkirurg eller en kirurg med speciale i rekonstruktion af hånden.

FARE: EKSPLOSION og BRAND – Opløsnings- og malerdampe kan eksplodere eller antænde. Alvorlig personskade og/eller ejendomsbeskadigelse kan forekomme.

PRÆVENTION:

- Sørg for at der er vidtgående udsugning og indførsel af frisk luft, så luften indenfor sprøjteområdet kan holdes fri for akkumulering af brændbare dampe.
- Undgå alle antændelseskilder, såsom gnister fra statisk elektricitet, elektriske apparater, åben ild, vågeblus, varme ting, og gnister, der opstår ved tilslutning og afbrydning af strømtilførselsledninger eller lyskontakter i brug.
- Rygning forbudt i sprøjteområdet.
- Der skal være en ildslukker tilstede, og den skal være i god fungerende stand.
- Placér sprøjten mindst 6,1 m (20 feet) fra sprøjteobjektet i et område med god udluftning (tilføj om nødvendigt mere slange). Brændbare dampe er ofte tungere end luft. Gulvarealet skal være særdeles godt udluftet. Pumpen indeholder gnistfremkaldende dele, og de udsendte gnister kan antænde dampe.
- Udstyret og objekter i og omkring sprøjteområdet skal have god jordforbindelse for at undgå dannelse af statiske gnister.
- Anvend kun højtryksvæskeslanger, som er lavet af ledende materiale eller som er jordforbundne. Pistolen skal være jordforbundet via slangekoblinger.
- Strømtilførselsledningen skal være tilsluttet et jordforbundet kredsløb (kun for elektriske apparater).
- Skyl altid enheden i separat metalbeholder ved lavt pumpetryk, og sprøjtespiden skal være fjernet. Hold pistolen tæt mod siden af beholderen for at jordforbinde beholderen og modvirke statiske gnister.

- Følg materiale- og opløsningsproducentens advarsler og instruktioner.
- Apparatet skal være tilsluttet en jordet genstand. Brug den grønne jordledning til at slutte apparatet til et vandværk, stålbjælke eller anden elektrisk jordet overflade.
- Der må ikke anvendes materialer med flammepunkter på under 21° C. Flammepunktet er den temperatur, hvorved en væske kan frembringe nok dampe til at antændes.
- Plastic can cause static sparks. Never hang plastic to enclose spray area. Do not use plastic drop cloths when spraying flammable materials.
- Use lowest possible pressure to flush equipment.
- Plastik kan bevirke statiske gnister. Hæng aldrig plastik op for at aflukke sprøjteområdet. Anvend ikke afdækningsmateriale af plastik, når der sprøjtes brændbare materialer.
- Anvend lavest mulige tryk til skylning af udstyret.

GASMOTOR (HVOR SÅDAN KAN ANVENDES)

Anbring altid sprøjten i frisk luft udenfor bygningen. Hold alle opløsningsmidler væk fra motorudstødning. Påfyld aldrig brændstofftanken, når motoren kører eller er varm. En varm flade kan antænde spildt brændstof. Tilslut altid jordledning fra pumpen til en jordforbundet genstand. Der henvises til motorejers manual for udtømmende sikkerhedsinformation.

FARE: EKSPLOSIONSFARE FORÅRSAGET AF UFORENLIGE MATERIALER – vil forårsage alvorlig personskade eller ejendomsskade.

PRÆVENTION:

- Anvend ikke materialer, der indeholder blegemidler eller klorin.
- Der må ikke anvendes halogenerede mineralske terpentinere såsom metylenklorid og 1,1,1 - trichloroetan. De er ikke kompatible med aluminium og kan forårsage en eksplosion. Kontakt Deres leverandør af maling angående kompatibiliteten af materialerne med aluminium, hvis der hersker tvivl.

FARE: FARLIGE DAMPE - Malinger, opløsningsmidler, insektbekæmpelsesmidler, og andre materialer kan være skadelige hvis de inhaleres eller kommer i kontakt med kroppen. Dampene kan forårsage alvorlig kvalme, besvimelse eller forgiftning.

PRÆVENTION:

- Anvend en gasmaske eller maske, hvis der er risiko for, at dampe kan blive inhaleret. Læs alle instruktioner der er leveret med masken for at sikre, at den yder den nødvendige beskyttelse.
- Bær øjenbeskyttelse.
- Bær beskyttelsestøj som foreskrevet af beklædningsproducenten.

FARE: GENEREL - Kan forårsage alvorlig personskade eller ejendomsskade.

PRÆVENTION:

- Læs alle instruktioner og sikkerhedsforanstaltninger, før udstyret tages i brug.
- Følg alle relevante lokale og nationale lovforskrifter vedrørende ventilation, brandprævention og drift.
- Tryk på aftrækkeren giver tilbageskud i hånden, som holder sprøjtepipistolen. Kraften af sprøjtepipistolens tilbageskud er især stort, når spidsen er blevet fjernet, og den luftløse pumpe er indstillet til højtryk. Når der renses uden en sprøjtespids, skal trykkontrollen sættes til laveste tryk.
- Før enhver anvendelse, kontrollér alle slanger for snit, utætheder, slitage eller udbuling af beklædningen. Kontrollér om koblinger er beskadiget eller har flyttet sig. Udskift øjeblikkeligt slangen, hvis nogen af disse forhold er tilstede. Reparér aldrig en farveslange. Udskift den med en jordforbunden højtryksslange.
- Alle slanger, drejeled, pistoler og tilbehør skal være trykclassificerede ved eller over sprøjtes maksimale arbejdsstrykniveau.

- Materialefabrikantens vejledninger skal ALTID følges ved håndtering af maling og opløsningsmidler.
- Dette apparat må ikke anvendes i værksteder, der er dækket af eksplosionsforebyggende regler.
- Tør øjeblikkeligt alle spild af materialer og opløsningsmidler op.
- Tag altid ledningen ud af stikkontakten, før der arbejdes på udstyret (kun elektriske enheder).
- Anvend høreværn. Dette apparat kan frembringe støjniveauer på over 85 dB(A).
- Dette udstyr må aldrig efterlades uden opsyn, og skal opbevares utilgængeligt for børn eller andre, der ikke er bekendte med betjeningen af luftløst udstyr.
- Undlad at sprøjte udendørs på dage, hvor det blæser.

Jordingsvejledninger

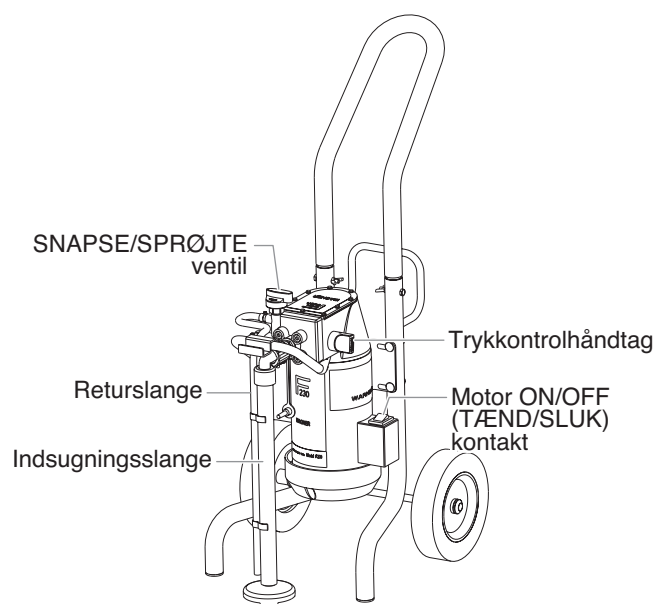
Elektriske modeller skal være jordet. I tilfælde af en elektrisk kortslutning, formindsker jording risikoen for elektrisk stød ved at yde en jordgående ledning for den elektriske strøm. Dette produkt er udstyret med en ledningssnor, der har en jordledning med en passende stikprop med jord. Stikket skal være indsat i en kontakt, der er korrekt installeret og jordet i overensstemmelse med alle lokale regler og bestemmelser.

FARE – Forkert installering af stikproppen med jord kan resultere i risiko for elektriske stød. Hvis det bliver nødvendigt at reparere eller udskifte ledning eller stik, må den grønne jordledning ikke sluttes til nogen af tilslutningsklemmerne. Ledningen med isolering, der har en grøn udvendig overflade med eller uden gule striber, er jordledningen, og skal tilsluttes jordspyddet.

Forhør dig med en kvalificeret elektriker eller montør, hvis du er i tvivl om noget i jordingsvejledningerne, eller om hvorvidt produktet er jordet på korrekt vis. Det vedlagte stik må ikke ændres. Hvis stikket ikke passer i kontakten, skal et korrekt stik installeres af en autoriseret elektriker.

Generel beskrivelse

Denne højeffektive luftløse sprøjtepipistol er et præcisionsværktøj beregnet til højtryksforstøvning af mange forskellige materialetyper. Læs og følg omhyggeligt denne instruktionsmanual med anvisninger til korrekt brug, vedligeholdelse og sikkerhedsinformation.



Specifikationer

Vægt:

Beholderenhed17 kg (37 lbs.)

Opsugningsenhed.....20 kg (44 lbs.)

KapacitetOp til 1,25 liter i minuttet

StrømforsyningskildeTotalt indkapslet elektrisk ventilatorafkølet motor

Strømspænding220–240 V vekselstrøm, 50/60 Hz, 6,2 A eller 100–120 V vekselstrøm, 50/60 Hz, 11,0 A

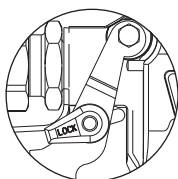
SprøjtetrykOp til 20,7 MPa (3000 PSI)

YdelserSprøjter et bredt udvalg af oliebaseerede malingstyper, plastikmaling, grunderingsfarver og bejdse.

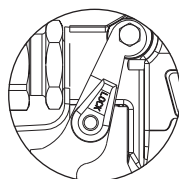
Forberedelse før maling

Påmontering af studsens på pistolen

1. Lås aftrækkeren ved at rotere aftrækkerlåsen fremad indtil den stopper.



Aftrækker er låst (pistolen sprøjter ikke)



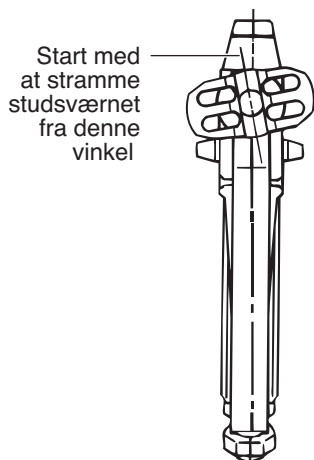
Aftrækker er låst op (pistolen sprøjter)

⚠ ADVARSEL

MULIG INJEKTIONSFARE. Undlad at sprøjte, hvis studsens værn ikke er på plads. Aftræk aldrig pistolen, medmindre studsens er i enten Spray (Sprøjt) eller Unclog (Klumpfjernelse) position. Aktivér altid pistolaftrækkerlåsen før studsens fjernes, udskiftes eller renses.

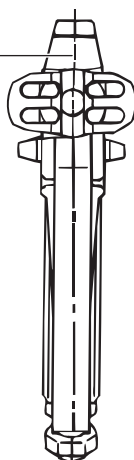
2. Skru studsværnet på pistolen. Skru først møtrikken til med hånden og stram den herefter helt til med en skruenøgle.

BEMÆRK: Når studsværnet monteres på pistolen, skal studsværnet først flugtes som på figuren nedenfor, hvorefter det strammes til med en skruenøgle.



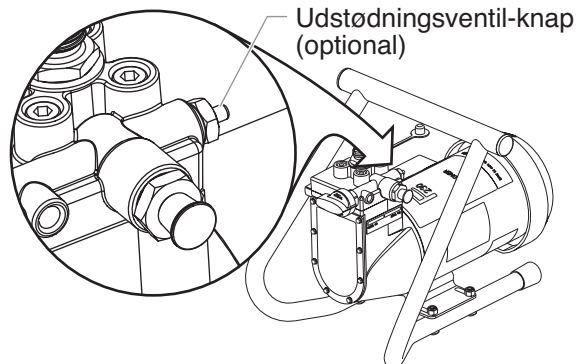
Start med at stramme studsværnet fra denne vinkel

for at opnå den ønskede sprøjtevinkel, når det er strammet til.



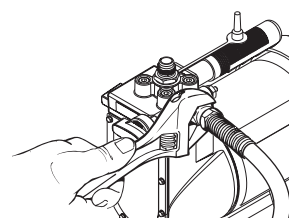
Eftersyn af udstømningsventilen (optional)

1. Tryk hårdt på udstødningsventil-knappen på siden af pumpehuset for at sikre, at trykstudsens kugleventil kan bevæge sig frit.

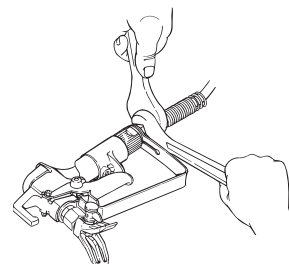


Montering af malingslangen

1. Tilslut højtryksslangen til malingssprøjten. Brug en skruenøgle for at stramme malingslangen fast til.



2. Tilslut sprøjtepistolen i den anden ende af højtryksslangen. Stram slangen fast til på pistolen ved hjælp af to skruenøgler.

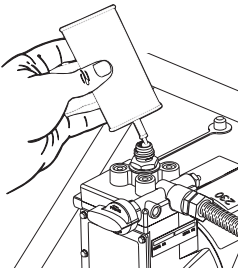


3. Tilslut sprøjtepistolen til en stikkontakt med jordforbindelse eller til en kraftig jordforbundet forlængerledning. Brug ikke en forlængerledning på mere end 30 meter. Hvis du har behov for at sprøjtemale langt fra en stikkontakt, så brug hellere en længere malingslange i stedet for en længere forlængerledning. Brug mindst en størrelse på 16 gauge for forlængerledning på op til 15 meter eller 12 til 14 gauge for forlængerledninger på mellem 15 og 30 meters længde.

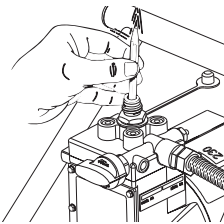
Snapse

Forberedelse til at snapse

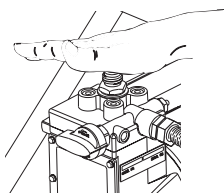
1. Fyld indløbsventilen med vand eller med en let husholdningsolie.
2. Kontroller at ventilen PRIME/SPRAY (Snapse/Sprøjte) er indstillet på PRIME og at trykkontrolhåndtaget er drejet modsat urets retning til den laveste trykindstilling.
3. Flyt motor ON/OFF (Tænd/Sluk) kontakten hen på ON.
4. Forøg trykket ved at dreje trykkontrolhåndtaget 1/2 omdrejning med uret.



5. Tving indløbsventilen til at åbne og lukke sig ved at skubbe på den med en skruetrækker eller viskelædertoppen på en blyant. Den bør bevæge sig op og ned omkring halvanden millimeter. Fortsæt indtil vand eller olie er suget ind i sprøjtepistolen. Dette vil fugte de bevægelige dele og løse eventuelle rester af gammel maling.



6. Hold håndfladen over indløbet. Drej trykkontrolhåndtaget i urets retning til maksimum-indstilling. Du skal nu kunne føle sugningen fra indløbsventilen. Hvis dette ikke er tilfældet, så læs afsnittet om rengøring og serviceeftersyn af udstrømningsventilen.
7. Drej trykkontrolhåndtaget imod urets retning til minimum-indstilling.
8. Flyt motor ON/OFF (Tænd/Sluk) kontakten hen på OFF.



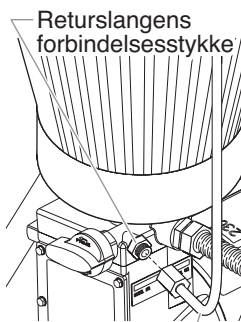
Montering af malingsbeholderen

Anvend følgende fremgangsmåde for at montere malingsbeholderen og tilslutte returslangen på beholderenheden.

1. Sørg for at bunden af malingsbeholderen flugter med gevindet på indsugningsventilen på pumpeblokken.
2. Drej så malingsbeholderen i urets retning for at skrue den på indsugningsventilen. Bliv ved med at dreje malingsbeholderen indtil den sidder helt fast på indsugningsventilen.

BEMÆRK: Pas på at gevindet er lige og at beholderen drejer på indsugningsventilen uden forhindringer. Skru ikke gevindet skævt sammen.

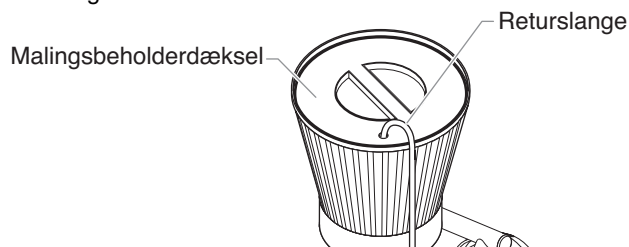
3. Anbring filterskærmen i bunden af malingsbeholderen og klik det ned på plads.
4. Kontroller at motorens ON/OFF (Tænd/Sluk) kontakt står på OFF.
5. Skru returslangens forbindelsesstykke fast til returslangehullet på siden af pumpen.



BEMÆRK: Skru det ikke alt for stramt i. Skru kun til med hånden. En lille stykke af gevindet vil kunne ses, selv når det er helt skruet i.

6. Anbring returslangens lige ende i forbindelsesstykke.
7. Skru møtrikken på returslangen fast til forbindelsesstykke og stram til indtil returslangen sidder helt fast.

8. Anbring returslangens krogede ende i hullet på malingsbeholderens dæksel.



Montering af indsugningsstykket

Anvend følgende fremgangsmåde til at montere indsugningsstykket på indsugningsenheden.

1. Sørg for at møtrikken på indsugningsstykket flugter med gevindet på indsugningsventilen på pumpeblokken.
2. Drej så møtrikken i urets retning for at skrue den på indsugningsventilen. Bliv ved med at dreje møtrikken indtil den sidder helt fast på indsugningsventilen.

BEMÆRK: Pas på at gevindet er lige og at møtrikken drejer på indsugningsventilen uden forhindringer. Skru ikke gevindet skævt sammen.

3. Skru returslangens forbindelsesstykke fast til returslangehullet på siden af pumpen.

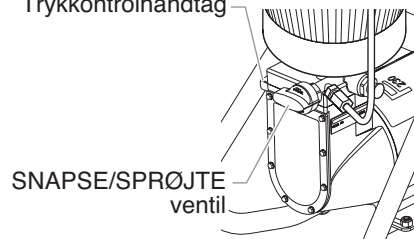
BEMÆRK: Skru det ikke alt for stramt i. Skru kun til med hånden. En lille stykke af gevindet vil kunne ses, selv når det er helt skruet i.

4. Anbring returslangens lige ende i forbindelsesstykke.
5. Lad returslangens spændebånd glide over forbindelsesstykke og stram til indtil returslangen sidder helt fast.

At snapse pumpen

1. Drej trykkontrolhåndtaget modsat urets retning til dets indstilling for laveste tryk.

Trykkontrolhåndtag



2. Fjern malingsbeholderdækslet og fyld malingsbeholderen med materiale eller anbring indsugningsstykket i en spand med materiale.
3. Drej PRIME/SPRAY (Snapse/Sprøjte) ventilen til PRIME.
4. Flyt motor ON/OFF (Tænd/Sluk) kontakten hen på ON.
5. Drej trykkontrolhåndtaget i urets retning til indstillingen mellem halvt og fuldt tryk. Lad enheden snapse i 1 til 2 minutter efter at materialet begynder at flyde gennem returslangen.

▲ PAS PÅ

Reducer altid trykket til nul før PRIME/SPRAY ventils position ændres. Hvis dette ikke overholdes, kan malingspumpens membran blive beskadiget.

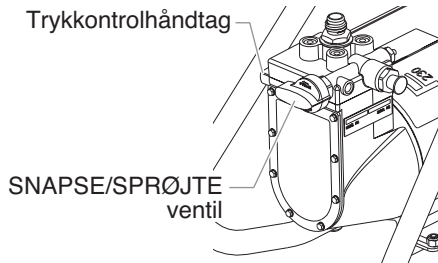
▲ PAS PÅ

Hvis trykkontrolhåndtaget er stillet ned på nul og PRIME/SPRAY ventilen stadig står på SPRAY når sprøjtepistolen er i funktion, vil der opstå højt tryk i slangen og sprøjtepistolen, indtil PRIME/SPRAY ventilen drejes til PRIME eller indtil sprøjtepistolens greb trykkes ind for at lette trykket.

Fremgangsmåde for trykaflastning

Følg denne fremgangsmåde når enheden er samlet og før arbejdsgange, der involverer sprøjtepistolen, eksempelvis rengøring og vedligeholdelse eller udskiftning af studs eller tilbehør.

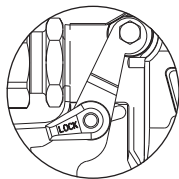
1. Drej trykkontrolhåndtaget modsat urets retning til dets laveste indstilling.



2. Drej PRIME/SPRAY (Snapse/Sprøjte) ventilen til PRIME.
3. Udløs sprøjtepistolen for at fjerne eventuelt tryk, der stadig måtte være i slangen.
4. Lås aftrækkeren ved at rotere aftrækkerlåsen fremad indtil den stopper.

ADVARSEL

Injektionsfare. Undlad at sprøjte, hvis studsværnet ikke er på plads. Aftræk aldrig pistolen, medmindre studsen er fuldstændigt drejet til enten Spray (Sprøjt) eller Unclog (Klumpfjernelse) position. Aktivér ALTID pistolaftrækkerlåsen før studsen fjernes, udskiftes eller renses.



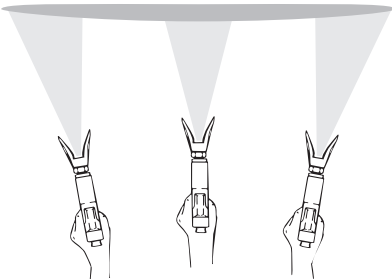
Aftrækker er låst (pistolen sprøjter ikke)

Sprøjtemaling

Sprøjte teknik

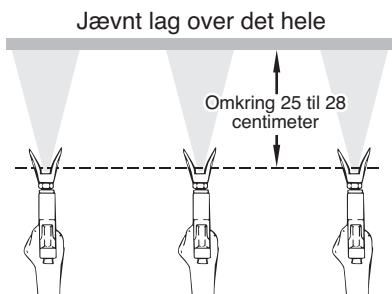
Nøglen til et godt malerarbejde er en jævn dækning på hele overfladen. Det opnås ved at bruge jævne strøg. Bevæg armen i en konstant hastighed og hold sprøjtepistolen i en konstant afstand fra overfladen. Den bedste sprøjteafstand er 25-28 cm fra sprøjtestudsen til overfladen.

Let overflademaling Tykkere lag Let overflademaling



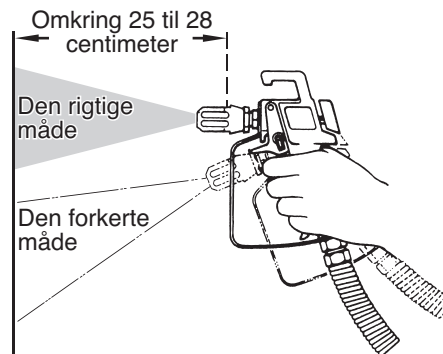
Bøj ikke håndledet under sprøjtearbejdet.

Hold sprøjtepistolen i de rette vinkler i forhold til overfladen. Dette betyder, at det er hele din arm, der skal bevæge sig frem og tilbage istedet for blot at bøje håndledet.



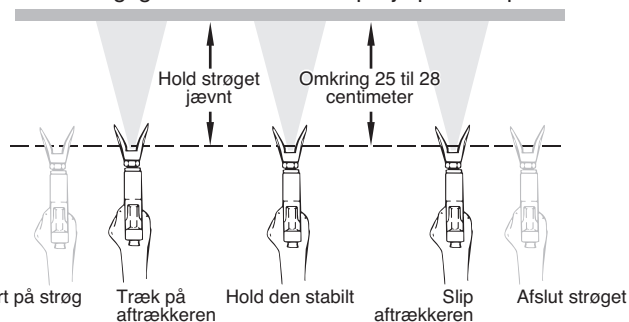
Påfør jævnt og ved ens hastighed.

Hold sprøjtepistolen vinkelret på overfladen, ellers vil den ene side af laget blive tykkere end den anden.



Sprøjtepistolen skal udløses ved at tænde og slukke for den ved hvert strøg. Således spares der på materialerne og det forhindres, at malingen hober sig op i slutningen af strøget. Udløs ikke pistolen midt på et strøg. Det vil resultere i en ujævn påføring og klattet dækning.

Den rigtige måde at udløse sprøjtepistolen på



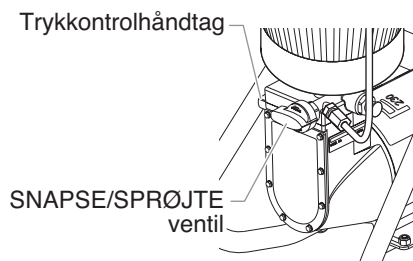
Overlap hvert strøg med omkring 30%. Så er du sikker på en jævn dækning.

Når du er færdig med at male, låses pistolaftrækkerlåsen, trykkontrolhåndtaget drejes imod uret til den laveste indstilling og PRIME/SPRAY ventilen sættes på PRIME. Flyt motor ON/OFF (Tænd/Sluk) kontakten hen på OFF og træk sprøjtepistolens stik ud fra kontakten.

Hvis du regner med at være væk i mere end 1 time, bør du følge proceduren for korttidsrengøring, som beskrevet i afsnittet RENGØRING i denne manual.

Udfør arbejdet

1. Kontroller at der ikke er knæk på malingsslangen og at den ikke er i nærheden af skarpe, skærende kanter.
2. Drej trykkontrolhåndtaget modsat urets retning til dets laveste indstilling.



3. Drej PRIME/SPRAY (Snapse/Sprøjte) ventilen til SPRAY.
4. Drej trykkontrolhåndtaget i urets retning til dets højeste indstilling. Malingsslangen stivner, efterhånden som materialet begynder at flyde igennem den.

5. Frigør pistolgrebets lås ved at dreje kontakten, så den står parallelt med håndtaget.
6. Udløs sprøjtepistolen så luften aftappes fra slangen.



Godt sprøjtemønster

7. Når malingen når sprøjtestudsen, sprøjtes på et prøveområde for at kontrollere sprøjtemønsteret.



Sprøjtemønster med efterstrømme

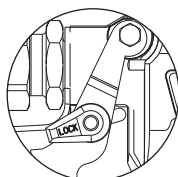
8. Brug den lavest mulige trykindstilling for et godt sprøjtemønster. Hvis trykket indstilles for højt, vil sprøjtemønsteret blive for let. Hvis trykket indstilles for lavt, vil der dannes efterstrømme, eller malingen vil sprøjte ud i klatter i stedet for i en fin forstøvning.

Rengøring

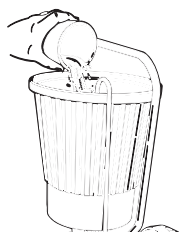
Opbevaring for natten

Nedlukning

1. Drej trykkontrolhåndtaget imod urets retning til minimum-indstilling.
2. Drej PRIME/SPRAY (Snapse/Sprøjte) ventilen til PRIME for at udløse systemtrykket.
3. Udløs sprøjtepistolen for at fjerne eventuelt tryk, der stadig måtte være i slangen.
4. Lås aftrækkeren ved at rotere aftrækkerlåsen fremad indtil den stopper.
5. Flyt motor ON/OFF (Tænd/Sluk) kontakten hen på OFF og træk sprøjtepistolens stik ud fra kontakten.
6. Udelukkende efter brug af plastikmaling hældes 1/2 kop vand langsomt hen over malingens overflade for at forhindre at den tørrer ud. Ved brug af andre materiale lukkes materialebeholderen tæt til eller udstyrets malingsbeholder (med beholderdækslet), mens returslangen holdes nede i materialet.



Aftrækker er låst (pistolen sprøjter ikke)



7. Pak sprøjtepistolen ind i en fugtig klud og anbring den i en plastikpose. Luk posen tæt til.



8. Anbring sprøjteudstyret på et sikkert sted og væk fra sollys, hvis opbevaringen varer kort tid.

Opstart

1. Tag pistolen ud af plastikposen.
2. Rør vandet rundt i malingen ved brug af plastikmaling. Fjern dækslet fra malingsbeholderen eller materialebeholderen og rør rundt i malingen ved alle andre materialer.
3. Kontroller at ventilen PRIME/SPRAY er indstillet på PRIME og at trykkontrolhåndtaget er drejet helt ned.
4. Sæt sprøjtepistolens stik i kontakten og flyt motorkontakten ON/OFF (Tænd/Sluk) hen på ON.
5. Når du har snapset sprøjtepistolen, drejes PRIME/SPRAY ventilen hen på SPRAY og trykkontrolhåndtaget drejes gradvist i urets retning for at forøge trykket.
6. Test sprøjtepistolen på et prøvestykke og begynd så at sprøjtemale.



Opbevaring i længere tid

⚠ ADVARSEL

Lad ikke materiale hobe sig op på motoren, da den ellers vil overopvarmes. Lad ikke brændbare opløsningsmidler komme i kontakt med motoren, da de i så fald kan antændes.

BEMÆRK: Du har brug for en spand, rengøringsmiddel, en tandbørste, en skruenøgle og rengøringsklude.

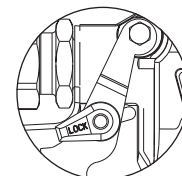
⚠ PAS PÅ

Brug ikke mineralsk sprit eller fortynder på plastikmaling, for blandingen ville blive til en geléagtig substans, som er svær at fjerne.

Rensning af malingsbeholderen

Anvend følgende fremgangsmåde for at rense malingsbeholderen i beholderenheden for materiale.

1. Lås pistolens aftrækker ved at rotere aftrækkerlåsen fremad indtil den stopper.
2. Drej trykkontrolhåndtaget imod urets retning til minimum-indstilling.
3. Drej PRIME/SPRAY (Snapse/Sprøjte) ventilen til PRIME.
4. Flyt motor ON/OFF (Tænd/Sluk) kontakten hen på OFF.
5. Før returslangen ned i den originale materialebeholder.
6. Flyt motor ON/OFF (Tænd/Sluk) kontakten hen på ON.
7. Drej trykkontrolhåndtaget til halvdelen af maksimumtrykket. Dette vil trække det resterende materiale i malingsbeholderen ind gennem pumpen, op gennem returslangen og ind i materialebeholderen.
8. Drej trykkontrolhåndtaget imod urets retning til minimum-indstilling.
9. Udløs sprøjtepistolen for at frigøre trykket og lås herefter pistolen.
10. Fjern sprøjtestudsen og studsværnet og anbring dem i en beholder med vand eller et opløsningsmiddel, der passer til den type materiale, som du bruger til maling.
11. Fyld malingsbeholderen op med vand eller med et opløsningsmiddel, der passer til materialetypen, som du bruger til maling.
12. Før returslangen ned i en affaldsspand.
13. Forøg trykket til halvdelen af maksimumtrykket. Lad vand eller opløsningsmiddel cirkulere i 2-3 minutter for at skylle materialet ud af pumpen, malingsbeholderen og returslangen.

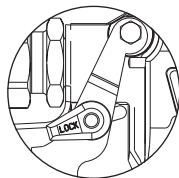


Aftrækker er låst (pistolen sprøjter ikke)

Rensning af indsugningsenheden

Anvend følgende fremgangsmåde til at rense indsugningsslangen på indsugningsenheden for materiale.

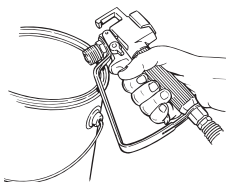
1. Drej trykkontrolhåndtaget imod urets retning til minimum-indstilling.
2. Drej PRIME/SPRAY (Snapse/Sprøjte) ventilen til PRIME.
3. Flyt motor ON/OFF (Tænd/Sluk) kontakten hen på OFF.
4. Vent et par sekunder og udløs herefter pistolen ned i materialebeholderen for at frigøre trykket fra ophobet væske i pumpen.
5. Lås pistolens aftrækker ved at rotere aftrækkerlåsen fremad indtil den stopper.
6. Fjern indsugningsslangen fra materialet og hold den over en spand med vand eller opløsningsmiddel. Lad returslangen ligge i materialebeholderen.
7. Flyt motor ON/OFF (Tænd/Sluk) kontakten hen på ON.
8. Drej trykkontrolhåndtaget til halvdelen af maksimumtrykket. Dette vil trække det resterende materiale i indsugningsslangen ind gennem pumpen, ned gennem returslangen og ind i materialebeholderen.
9. Drej trykkontrolhåndtaget imod urets retning til minimum-indstilling.
10. Anbring den tilsluttede indsugningsslange og returslangen i en beholder med vand eller passende opløsningsmiddel.
11. Fjern sprøjtestudsen og studsværnet og anbring dem i en beholder med et passende opløsningsmiddel.
12. Forøg trykket til halvdelen af maksimumtrykket. Lad vand eller opløsningsmiddel cirkulere i 2-3 minutter for at skylle materialet ud af pumpen, indsugningsslangen og returslangen.



Aftrækker er låst (pistolen sprøjter ikke)

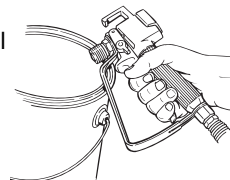
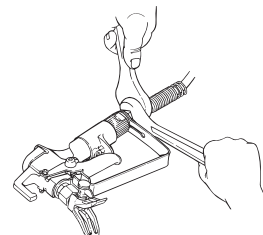
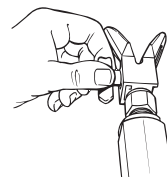
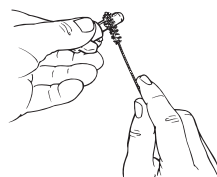
Rensning af maleslangen

1. For at genanvende materialet, der befinder sig i slangen, frigøres pistolens aftrækkerlås og pistolen udløses forsigtigt uden studsværn imod indersiden af materialebeholderen.
2. Drej trykkontrolhåndtaget imod urets retning til minimum-indstilling.
3. Drej PRIME/SPRAY (Snapse/Sprøjte) ventilen til SPRAY.
4. Drej trykkontrolhåndtaget langsomt indtil materialet begynder at flyde ned i beholderen. Så snart der begynder at løbe vand eller opløsningsmiddel ned i spanden, slippes aftrækkeren.
5. Skift til rent vand eller opløsningsmiddel, ret pistolen mod indersiden af affaldsspanden, og fortsæt med at lade væsken cirkulere i 5 minutter mere for at rense slange, pumpe og pistol omhyggeligt.
6. Drej trykkontrolhåndtaget modsat urets retning til dets laveste indstilling.
7. Drej PRIME/SPRAY (Snapse/Sprøjte) ventilen til PRIME.
8. Udløs sprøjtepistolen for at fjerne eventuelt tryk, der stadig måtte være i slangen.
9. Lås pistolens aftrækker ved at rotere aftrækkerlåsen fremad indtil den stopper.
10. Flyt motor ON/OFF (Tænd/Sluk) kontakten hen på OFF.
11. Anbring låget på materialebeholderen og stil den væk.



Rensning af pistolen

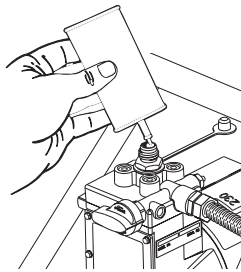
1. Fjern sprøjtepistolen fra malingsslangen ved hjælp af to skruenøgler.
2. Fjern filterhuset fra pistolen. Læg pistolen og filterenheden i blød i en beholder med vand eller passende opløsningsmiddel.
3. Rens sprøjtestudsen og pistolfilteret med en blød børste.
4. Saml pistolen og filteret igen. Monter sprøjtestudsen i rensposition med pilen pegende mod pistolens bagside.
5. Monter malingsslangen på pistolen og stram til ved hjælp af to skruenøgler.
6. Flyt motor ON/OFF (Tænd/Sluk) kontakten hen på ON.
7. Frigør pistolgrebets lås ved at dreje aftrækkerlåsen, så den står parallelt med håndtaget.
8. Drej PRIME/SPRAY ventilen til SPRAY og ret pistolen mod indersiden af affaldsspanden.
9. Udløs pistolen og drej gradvist trykkontrolhåndtaget i urets retning til halvt tryk. Forsæt med at udløse pistolen i omkring 30 sekunder.
10. Drej trykkontrolhåndtaget modsat urets retning til dets laveste indstilling.
11. Drej PRIME/SPRAY (Snapse/Sprøjte) ventilen til PRIME.
12. Udløs sprøjtepistolen for at fjerne eventuelt tryk, der stadig måtte være i slangen.
13. Lås pistolens aftrækker ved at rotere aftrækkerlåsen fremad indtil den stopper.
14. Flyt motor ON/OFF (Tænd/Sluk) kontakten hen på OFF.



Afsluttende rensning

1. Fjern sprøjtestudsen.
2. Drej motorkontakten til ON.
3. Drej PRIME/SPRAY (Snapse/Sprøjte) ventilen til SPRAY.
4. Drej trykkontrolhåndtaget i urets retning til halvt tryk.
5. Udløs pistolen ned i affaldsspanden indtil beholderen eller opløsningsdunken er tom.
6. Fyld beholderen eller opløsningsdunken op igen og fortsæt med at skylle systemet igennem, indtil opløsningen, der løber ud fra pistolen, ser ud til at være ren.
7. Aflås pistolen og drej trykkontrolhåndtaget modsat urets retning til dets laveste indstilling.
8. Drej PRIME/SPRAY ventilen til PRIME.
9. Fjern beholderen eller indsugningsenheden fra indløbsventilen.
10. Rens gevindet på indløbsventilen med en fugtig klud.
11. Fyld indløbsventilen med en let husholdningsolie.
12. Drej PRIME/SPRAY (Snapse/Sprøjte) ventilen til SPRAY for at fordele olien.

BEMÆRK: En korrekt rensning og indfedtning af pumpen efter brug er en af de vigtigste ting, du skal gøre for at sikre, at den vinker rigtigt efter opbevaringen.



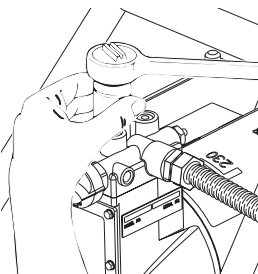
13. Drej trykkontrolhåndtaget modsat urets retning til dets laveste indstilling.
14. Drej PRIME/SPRAY ventilen til PRIME.
15. Udløs sprøjtepistolen for at fjerne eventuelt tryk, der stadig måtte være i slangen.
16. Lås pistolens aftrækker ved at rotere aftrækkerlåsen fremad indtil den stopper.
17. Flyt motor ON/OFF (Tænd/Sluk) kontakten hen på OFF.
18. Fjern filteret fra beholderen og rens det i en beholder med rent vand eller et passende opløsningsmiddel. Anvend en blød børste.
19. Sæt beholderfilteret tilbage på sin plads i beholderen.
20. Anbring igen beholderen eller indsugningsenheden på indløbsventilen.
21. Tør hele enheden, slange og pistol af med en fugtig klud for at fjerne ophobede materialerester.

Vedligeholdelse

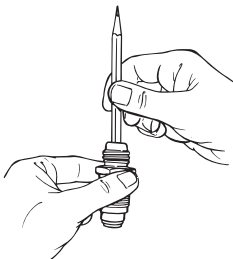
Følg disse fremgangsmåder hvis du løber ind i problemer som anført i afsnittet om problemløsning.

Sådan fjerner og rens du indløbsventilen

1. Udfør "Trykaflastningsproceduren", sluk for enheden og træk stikket ud.
2. Frigør indløbsventilens monteringen ved hjælp af en 27 mm fast rørnøgle eller topnøgle.
3. Kontroller indløbsventilens bevægelsesfrihed ved at skubbe på den åbne ende af ventilhuset med en skruetrækker eller viskelædertoppen på en blyant. Den bør bevæge sig omkring halvanden millimeter. Hvis den ikke bevæger sig, skal den renses eller udskiftes.



BEMÆRK: Indløbsventilen skal smøres efter hvert udført arbejde. Hermed reduceres eller elimineres snapseproblemer, når sprøjtepistolen skal bruges næste gang.

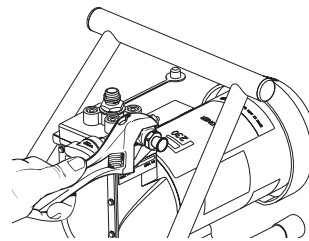


4. Rens ventilenheden omhyggeligt med vand eller et passende opløsningsmiddel. Anvend en lille børste.
5. Hvis der drypper vand ud fra bunden af ventilen, når den er blevet renses, er ventilen slidt og skal udskiftes. En korrekt placeret ventil, der er fyldt med vand og holdes lodret, drypper ikke.
6. Monter en ny eller renses ventil i pumpeblokken og fyld herefter ventilen op med let olie eller opløsningsmiddel.

Sådan fjerner og rens du udstrømningsventilen

Det kan blive nødvendigt at fjerne og rens udstrømningsventilen eller at udskifte indvendige ventildele på grund af normalt slid.

1. Fjern udstrømningsventilens enhed med en skrueøgle.



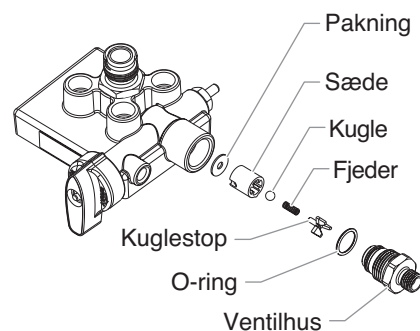
2. Fjern og rens kuglestoppet og den lille fjeder indeni ventilen ved hjælp af en trådkrog eller pincettang. Udskift fjederen hvis der er i stykker eller slidt.

BEMÆRK: Denne fjeder er fremstillet til at holde en helt specifik spænding. Sæt ikke en ikke-anerkendt erstatning i. Se malingspumpens reservedelsdiagram for at finde det korrekte reservedelsnummer.

3. Fjern ventilens sæde og -kuglemontage.
4. Rens alle delene omhyggeligt. Hvis kugle eller ventilens sæde viser tegn på slid eller beskadigelse, skal de udskiftes med nye dele. Karbidstålsguglen skal kunne forsegle ventilens sædet for at ventilen kan fungere korrekt.
5. Dæk alle dele'ne med et tyndt lag let olie før de samles igen.

BEMÆRK: Gevindtanden i sædet skal flugtes med drejerillen på pumpehuset, når de samles igen.

6. Lad ventilkuglen falde ned i.
7. Isæt kuglestoppet og fjederen og monter ventilhuset igen. Kontroller at o-ringen er korrekt anbragt og at topstykkets tunge passer ind i fjederen.
8. Stram ventilhuset fast med en skrueøgle. Skru det ikke alt for stramt i.



Rensning af beholderens filterskærm

Filterskærmen i bunden af malingsbeholderen har behov for regelmæssig rensning. Kontroller den hver gang du tilføjer maling. Fjern filterskærmen ved at trække den ud fra beholderen med en tang. Rens filterskærmen med vand eller opløsningsmiddel og, om nødvendigt, med en blød børste.



Fejlfinding

Problem

Sprøjtepipistolen starter ikke.

Sprøjtepipistolen starter men der kommer ingen maling ud, når PRIMA/SPRAY ventilen indstilles på PRIME.

Sprøjtepipistolen trækker maling op, men trykket falder, når pistolen udløses.

Sprøjtepipistolen kan ikke standses.

Sprøjtepipistolens lækker.

Studssamlingen lækker.

Sprøjtepipistolen sprøjter ikke.

Sprøjtemøsteret har efterstrømme.

Termoafbryderen blev slået til og slukkede for sprøjtepipistolen.

Grund

1. Sprøjtepipistolen er ikke tilsluttet kontakten.
2. Kontakten ON/OFF (Tænd/Sluk) står på OFF.
3. For lav eller ingen spænding fra stikkontakten.
4. Sprøjtepipistolen er blevet slukket, mens den stadig var under tryk.
5. Forlængerledningen er beskadiget eller har en for lav kapacitet.
6. Termoafbryderen på sprøjtepipistolen er slået til.
7. Der er problemer med motoren.

1. Apparatet kan ikke snapse korrekt eller er ikke snapset.
2. Malingsbeholderen er tom.
3. Filteret i malingsbeholderen er tilstoppet.
4. Indsugningsventilen er tilstoppet.
5. Udtømningsventilen er tilstoppet.
6. PRIME/SPRAY ventilen er tilstoppet.
7. Indsugningsventilen er slidt eller beskadiget.
8. Der er problemer med membranen.
9. Hydraulikolieniveauet er lavt eller der er ingen olie.

1. Sprøjtestudsen er slidt.
2. Filteret i malingsbeholderen er tilstoppet.
3. Pistolen eller filteret er tilstoppet.
4. Malingen er for tykflydende.
5. Udtømningsventilens samling er tilstoppet eller slidt.
6. Indsugningsventilens samling er slidt eller beskadiget.

1. Indsugnings- eller udtømningsventilens kugle eller kuglesæde er slidt.
2. Fremmedlegemer eller maling er ophobet mellem kuglen og sædet.

1. Indre dele i pistolen er slidte eller tilsnavsede.

1. Studsen er samlet forkert.
2. En pakning er slidt.

1. Sprøjtestudsen, pistolfilteret eller studsfilteret er tilstoppet.
2. Sprøjtestudsen er indstillet i CLEAN (Rensning) position.

1. Trykket er sat for lavt.
2. Pistolen, studsen, eller beholderfilteret er tilstoppet.
3. Studsen er slidt.
4. Malingen er for tyk.

1. Motoren er overopvarmet.
2. Forlængerledningen er for lang eller har en for lille gauge.
3. Der har ophobet sig maling på motoren.
4. Motoren er blevet startet, mens sprøjtepipistolen var under tryk.
5. Sprøjtepipistolen er blevet efterladt i den varme sol.

Løsning

1. Sæt sprøjtepipistolens stik i kontakten.
2. Flyt ON/OFF kontakten hen på ON.
3. Kontroller strømforsyningen.
4. Drej PRIME/SPRAY ventilen til PRIME.
5. Udskift forlængerledningen.
6. Lad motoren køle af og flyt sprøjtepipistolen til et køligere sted.
7. Bring sprøjten til et autoriseret Wagner servicecenter.

1. Prøv at snapse enheden igen.
2. Fyld malingsbeholderen med maling.
3. Rens filteret i malingsbeholderen.
4. Rens indsugningsventilen.
5. Rens udtømningsventilen og udskift slidte dele.
6. Bring sprøjten til et autoriseret Wagner servicecenter.
7. Udskift indsugningsventilen.
8. Bring sprøjten til et autoriseret Wagner servicecenter.
9. Bring sprøjten til et autoriseret Wagner servicecenter.

1. Udskift sprøjtestudsen med en ny.
2. Rens filteret i malingsbeholderen.
3. Rens eller udskift det relevante filter. Hav altid ekstra filtre på lager.
4. Fortynd eller filtrér malingen.
5. Rens eller udskift udtømningsventilsamlingen.
6. Udskift indsugningsventilen.

1. Bring sprøjten til et autoriseret Wagner servicecenter.
2. Bring sprøjten til et autoriseret Wagner servicecenter.

1. Bring sprøjten til et autoriseret Wagner servicecenter.

1. Efterse sprøjtestudsens samling og saml den korrekt.
2. Udskift pakningen.

1. Rens sprøjtestudsen, pistolfilteret eller studsfilteret.
2. Indstil sprøjtestudsen til SPRAY position.

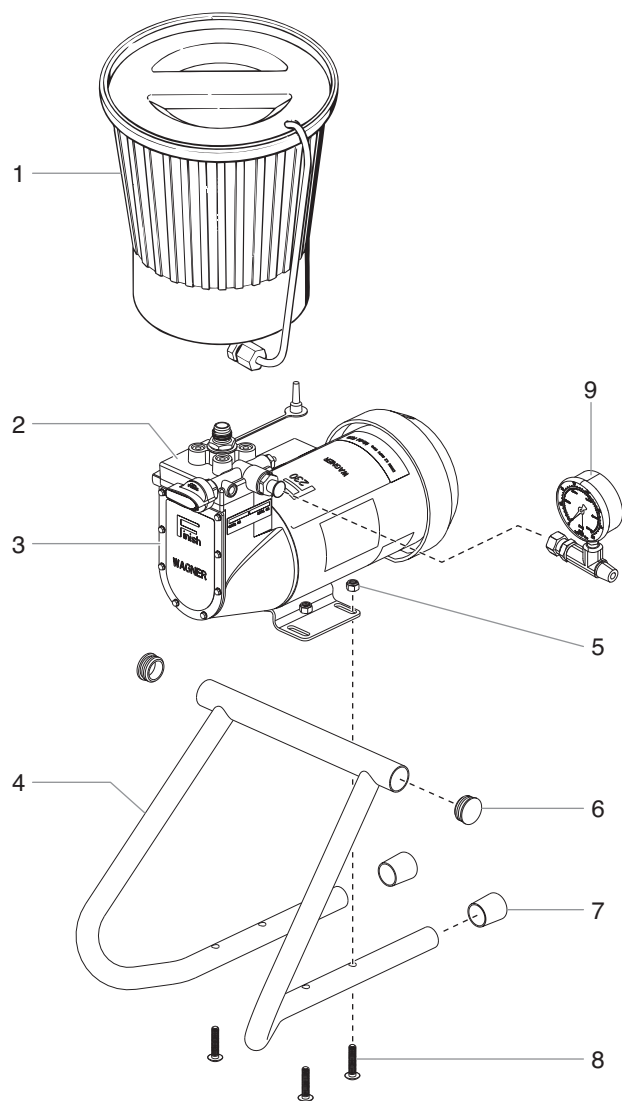
1. Forøg trykket.
2. Rens filtrene.
3. Udskift sprøjtestudsen.
4. Fortynd malingen.

1. Lad den køle af i 30 minutter.
2. Lad den køle af i 30 minutter og udskift forlængerledningen med en kortere eller med en ledning med tykkere gauge.
3. Rens motoren for maling.
4. Genstart sprøjtepipistolen i PRIME indstilling.
5. Flyt sprøjtepipistolen væk fra solskinnet.

BEMÆRK: Når PRIME/SPRAY ventilen står på SPRAY og hvis der flyder maling gennem returslangen, afmonteres PRIME/SPRAY ventilen for rensning eller udskiftning.

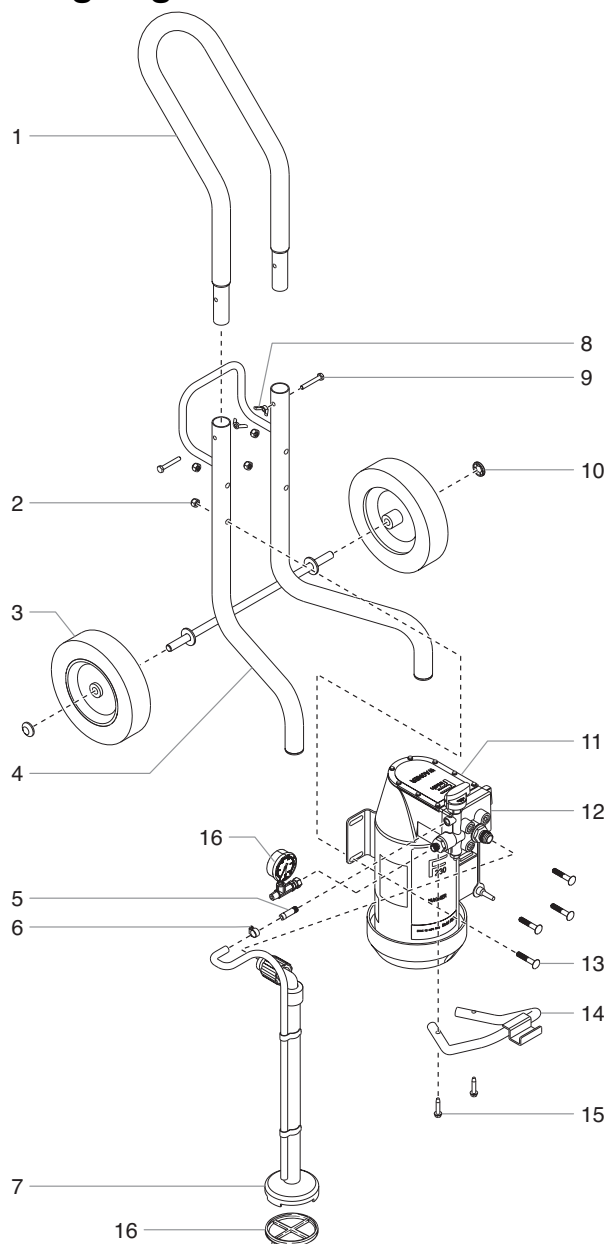
BEMÆRK: Den elektriske motor skal altid holdes ren og tør. Maling virker som en isolator. For meget maling på motoren vil forårsage, at den overopvarmes.

Reservedelsliste Hovedsamlingen — Beholderenheden



Emne	Del #	Beskrivelse	Antal
1	0288144	Beholdersamling	1
2	-----	Pumpehovedsamling.....	1
3	0281118	Pumpemembran, 220–240 V vekselstrøm	1
	0311200	Pumpemembran, 100–120 V vekselstrøm	1
4	0278310	Stativ	1
5	9811122	Låsemøtrik	4
6	0294635	Stik	2
7	0270343	Slangeoverdel	2
8	9805213	Bræddebolt.....	4
9	0508239	Pres grade (selv om udstyret).....	1

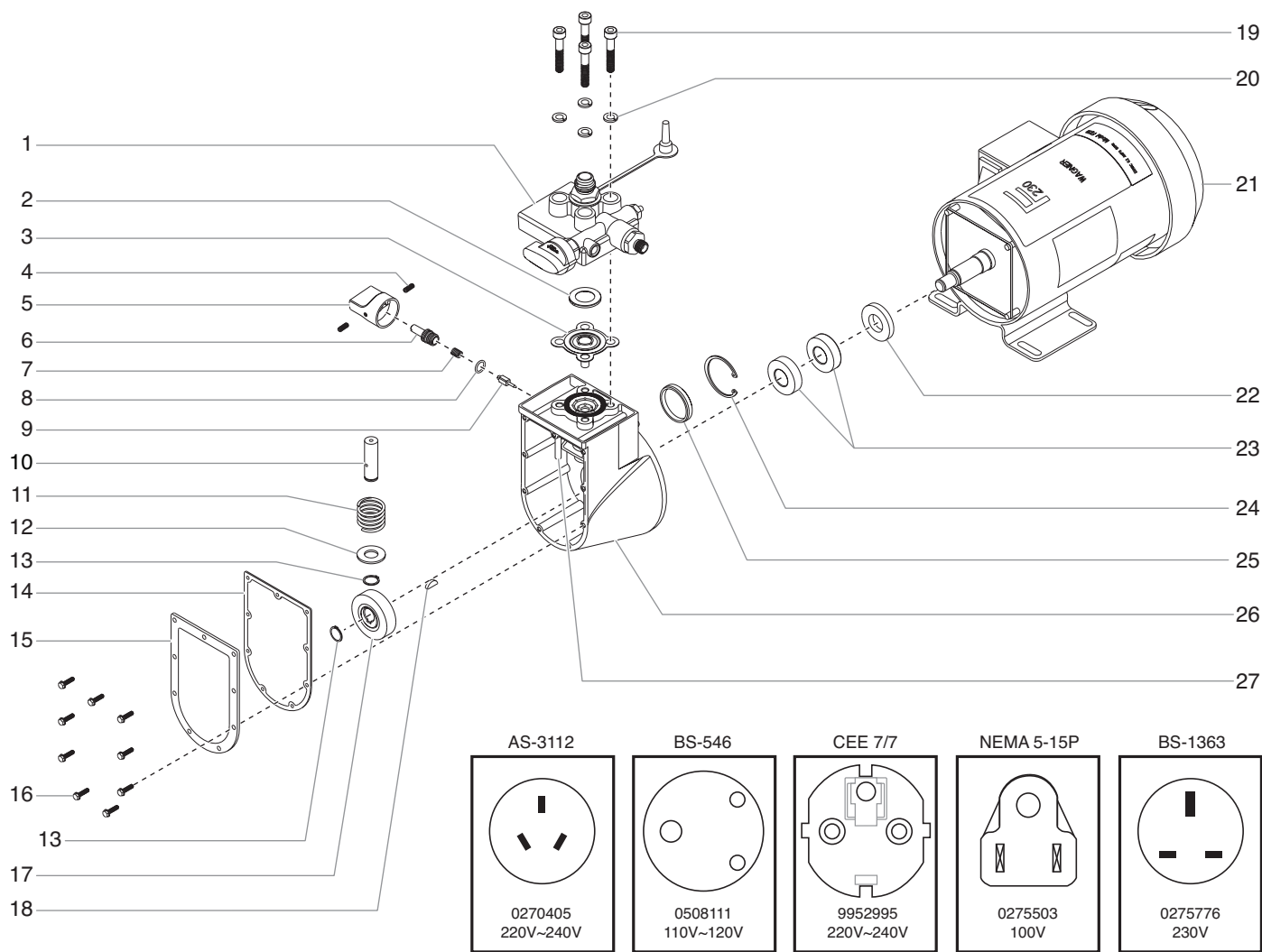
Hovedsamling — Indsugningsenheden



Emne	Del #	Beskrivelse	Antal
1	0508251	Greb	1
2	9811122	Låsemøtrik	4
3	0512396	Hjul	2
4	0508255	Ramme.....	1
5	0088715	Returslangetilslutning.....	1
6	0327226	Returslangespændebånd.....	1
7	0278147	Opsugningssamling (inklusive emne 16) ..	1
8	9810111	Vingemøtrik	2
9	9800108	Skruer.....	2
10	9810113	Akselkappe.....	2
11	0555126	Pumpemembran, 220–240 V vekselstrøm..	1
	0311200	Pumpemembran, 100–120 V vekselstrøm	1
12	-----	Pumpehovedsamling.....	1
13	9802533	Bræddebolt.....	4
14	0278364	Beholderkrog.....	1
15	9802519	Skruer.....	2
16	0270369	Filter	1
17	0508239	Pres grade (selv om udstyret).....	1

Membranpumpe

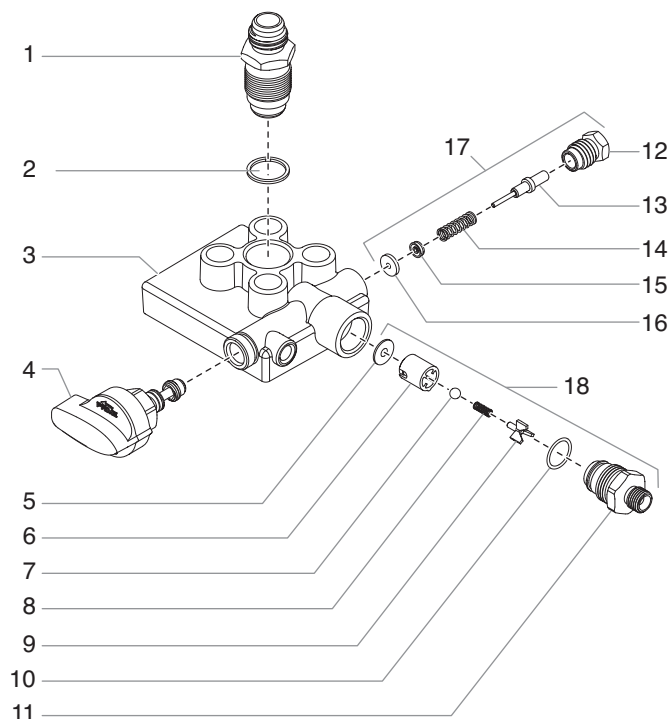
(P/N 0555126 / 220–240 V eller P/N 0311200 / 100–120 V)



Emne	Del #	Beskrivelse	Antal
1	0311215	Pumpehoved	1
2	0270494	Membranring	1
3	0270201	Membran	1
4	9801109	Stilleskrue	2
5	0288775	Trykkontrolhåndtag	1
6	0270529	Ventilhusspindel	1
7	0047373	Trykreguleringsfjeder	1
8	0089518	O-ring	1
9	0089475	Trykventilnål	1
10	0278345	Hydraulikstempel	1
11	0005311	Stempelfjeder	1
12	0270550	Stempelvasker	1
13	0047393	Holder	2
14	0278359	Pakning	1
15	0278341	Hydraulikbeholderdæksel	1
16	9800049	Skrue	9
17	0090031	Excentermuffe og lejesamling	1

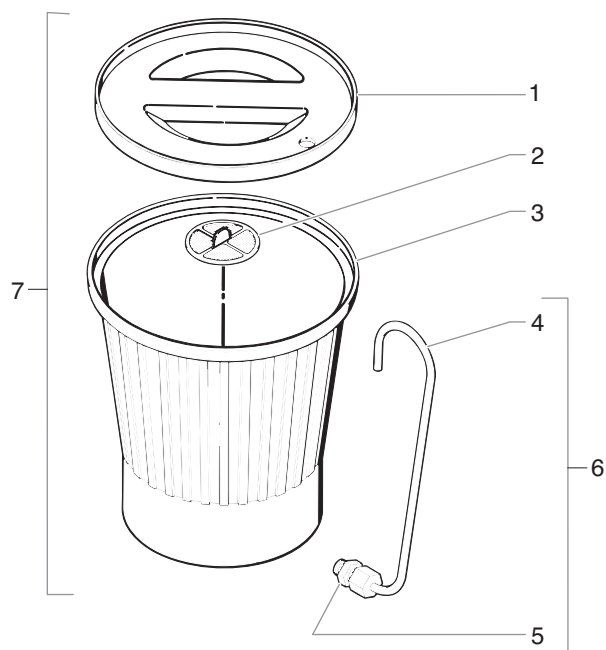
Emne	Del #	Beskrivelse	Antal
18	0089829	Akselkile	1
19	9900355	Sekskantbolt (Torque hen til 20.3 Nm)	4
20	9921601	Sikringskive	4
21	0508295	Motor, 220–240 V vekselstrøm, Opsugningssamling (inklusive emnerne 28 og 29)	1
	0281117	Motor, 220–240 V vekselstrøm, beholder (inklusive emnerne 28 og 29)	1
	0278469	Motor, 100–120 V vekselstrøm (inklusive emnerne 28 og 29)	1
22	0270524	Pakning	1
23	0270490	Kugleleje	2
24	0311400	Fjederlåsering	1
25	9870117	Stikpakning	1
26	0278238	Hydraulikhussamling (inklusive emnerne 22–25)	1
27	0278387	Dobbeltstuds	1
28	0270462	Ventilator (ikke vist)	1
29	0270612	Ventilatordæksel (ikke vist)	1
	-----	Strømforsyningsledning (ikke vist, se herover)	1

Pumpehovedsamling



Emne	Del #	Beskrivelse	Antal
1	0278242	Indsugningsventilsamling (inklusive emne 2).....	1
2	0089482	Tætningsskive, nylon	1
3	0278334	Malingspumpe.....	1
4	0555901	PRIME/SPRAY ventilsamling	1
5	0278362	Udtømningspakning	1
6	0278241	Kugleleje	1
7	0093635	Kugle.....	1
8	0047485	Udtømningsfjeder.....	1
9	0278361	Kugleføring.....	1
10	9871114	O-ring	1
11	0278335	Udtømningsforbindelsesstykke	1
12	0278337	Udstøderhus.....	1
13	0278250	Udstøderspindelsamling.....	1
14	0278368	Udstøderfjeder	1
15	0156646	Pakning	1
16	0278340	Udstøderspændskive	1
17	0508199	Udstødermonteringen (inklusive emnerne 12 til 16)	
18	0508198	Udløsventilen (inklusive emnerne 5 til 11)	

Beholdersamling



Emne	Del #	Beskrivelse	Antal
1	0279591	Dæksel, beholder.....	1
2	0089917	Filterskærm, fin (som vist)	1
3	0088871	Filterskærm, grov	1
4	0093865	Beholder.....	1
5	0403309	Returslange	1
6	0090560	Samlingsstykke	1
7	0288144	Returslangesamling (inklusive emnerne 4 og 5)	1
		Komplet beholder (inklusive emnerne 1 til 6).....	1

Innehållsförteckning

Försiktighetsåtgärder	86
Allmän Beskrivning	87
Specifikationer	88
Förbered dig att måla	88
Att prima	88
Förbered dig att prima	88
Att montera färgpåfyllaren	89
Att sätta på sugsetet	89
Att prima pumpen	89
Procedur för att minska trycket	90
Att spraya	90
Rengöring	91
Underhåll	93
Felsökning	94
Lista över delar	95
Huvudenhet – Färgpåfyllarenhet	95
Huvudenhet – Sugenheter	95
Skiljevägg pump	96
Pumphuvudsenshet	97
Påfyllningsenshet	97

Försiktighetsåtgärder

Den här manualen innehåller information som skall läsas och förstås innan utrustningen används. Var extra uppmärksam på följande symboler och läs noga igenom varningstexten.



Den här symbolen innebär att det föreligger risk för allvarlig skada eller dödsfall. Viktig säkerhetsinformation följer.



Den här symbolen innebär att det föreligger risk för dig eller utrustningen. Viktig information om hur du förebygger skada på utrustningen eller hur du undviker mindre skador följer.

ANMÄRKNING: Anmärkningar ger viktig information som bör uppmärksammas särskilt.



Denna enhet har försetts med en termiskt skyddad automatisk återställare. Om en överbelastning sker kommer den termiskt skyddade automatiska återställaren att koppla ifrån motorn från strömtilförseln.

- Motorn kommer att starta upp utan varning när skyddaren automatiskt återställer.
- Koppla alltid ur motorn från strömtilförseln innan du arbetar med utrustningen.
- När den termiskt skyddade automatiska återställaren kopplar ur motorn från strömtilförseln, minska trycket genom att vrida priming-ventilen till PRIME.
- Vrid PÅ/AV-brytaren till AV.



FARA: Sprutskador – Vätskestrålar under högt tryck som produceras av denna utrustning kan tränga igenom huden och undre vävnader vilket kan leda till allvarlig skada och eventuell amputering.



SPRUTSKADOR SKALL INTE BEHANDLAS SOM VANLIGA SKÅRSKADOR! Sprutskador kan leda till amputering. Kontakta läkare omedelbart.

Maximalt driftsomgång på enheten är 20.7 MPa (3000 PSI) vätsketryck.

FÖREBYGGANDE:

- Rikta ALDRIG pistolen mot någon kroppsdel.
- Låt ALDRIG någon kroppsdel vidröra vätskestrålen. Låt ALDRIG kroppen komma i kontakt med en läcka i vätskeslangen.
- Placera ALDRIG en hand framför pistolen. Handskar utgör inget skydd mot sprutskador.
- Lås ALLTID avtryckaren, stäng av pumpen och stäng av allt tryck innan underhåll, rengöring, eller utbyte av delar av sprututrustningen, eller då sprututrustningen lämnas utan tillsyn. Trycket stängs inte av då motorn stängs av. PRIME-/SPREJ-ventilen eller tryckventilen måste vridas till korrekt position för att sänka systemets tryck. Läs PROCEDUR FÖR TRYCKSÄNKNING i denna manual.
- Se till att munstycksskyddet ALLTID är på plats vid sprayning. Munstycksskyddet skyddar något men är i första hand ett varningstillbehör.
- Se till att ALLTID avlägsna spraymunstycket innan rengöring eller spolning av systemet.
- Det kan uppstå läckor i målarlangan från nötning, trassel och felaktig hantering. En läcka kan leda till att material tränger in i huden. Kontrollera slangen före varje användningstillfälle.
- Använd ALDRIG en spraypistol utan ett fungerande avtryckarlås eller utan ett avtryckarskyddet är på plats.
- Alla tillbehör måste motsvara eller överskrida maximalt driftstryck för sprayanordningen. Detta inbegriper spraymunstycken, pistoler, tillbehör och slang.

MEDDELANDE TILL LÄKARE:

Insprutning i huden innebär allvarlig skada. Det är viktigt att behandla skadan så snabbt som möjligt. Vänta INTE med behandlingen och se till att undersöka toxiciteten. Risken för toxicitet föreligger i samband med vissa typer av färg som sprutas direkt in i blodströmmen. Det kan vara bra att konsultera en plastikkirurg eller en handkirurg.

FARA: EXPLOSION och BRAND – Ångor från lösningar och färg kan explodera eller antändas. Detta kan orsaka svår skada eller egendomsskada.

FÖREBYGGANDE:

- Se till att luften runt sprayområdet ventileras ordentligt och se till att undvika ackumulering av brandfarliga ångor.
- Undvik alla antändningskällor, som exempelvis gnistor från statisk elektricitet, elektrisk utrustning, eld, pilotljus, varma föremål och gnistor från strömkablar eller strömbrytare.
- Rök inte i sprayområdet.
- Det måste finnas en fungerande brandsläckare i området.
- Placera sprayanordningen på ett avstånd om minst 6.1 m (20 fot) från sprayföremålet i ett väl ventilerat område (förläng slangen vid behov). Antändbara ångor är ofta tyngre än luft. Golvområdet måste vara extremt väl ventilerat. Pumpen inbegriper bågformade delar som avger gnistor som kan antända ångorna.
- Utrustningen och föremålen i och runt sprayområdet måste vara korrekt jordade för att undvika statiska gnistor.
- Använd endast en ledande eller jordad högtrycksslang. Pistolen måste vara jordad via slanganslutningar.
- Strömkabeln måste vara ansluten till en jordad strömkrets (bara elektriska enheter).
- Spola alltid enheten i anslutning till en separat metallbehållare. Se till att hålla ett lågt pumstryck och att spraymunstycket avlägsnats. Håll pistolen i ett fast grepp mot behållarens sida för att jorda behållaren och undvika att statiska gnistor uppstår.
- Följ tillverkarens varningar och instruktioner beträffande material och lösningar.
- Enheten måste kopplas till jord. Använd den gröna jordkabeln för att koppla enheten till ett vattenrör, järnstång eller annan elektriskt jordad yta.

- Använd inte material med en flampunkt under 21° C. Flampunkten är den temperatur där vätskan producerar så mycket ånga att de kan antändas.
- Plast kan orsaka statiska gnistor. Använd aldrig plats för att inhägna sprayområdet. Använd inte plastskydd vid sprayning av brandfarliga material.
- Använd lägsta möjliga tryck vid spolning av utrustningen.

GASMOTOR (VID FÖREKOMST AV SÅDAN)

Placera alltid spryanordningen utanför strukturen i friskluft. Håll alla lösningar på avstånd från motorns avgasrör. Fyll aldrig bensintanken då motorn är varm eller i drift. En varm yta kan antända utspillt bränsle. Anslut alltid en jordad kabel från pumpen till ett jordat föremål. Se motorns användarmanual för utförlig säkerhetsinformation.

FARA: EXPLOSIONSRISK I ANSLUTNING TILL INKOMPATIBLA MATERIAL – orsakar allvarlig skada eller egendomsskada.

FÖREBYGGANDE:

- Använd inte material som innehåller blekmedel eller klor.
- Använd inte halogeniserade kolvätelösningar som metylklorid och 1,1,1 - trikloroetan. Den fungerar inte ihop med aluminium och kan orsaka explosion. Om du inte är säker på ett visst materials kompatibilitet med aluminium kan du kontakta din materialleverantör.

FARA: FARLIGA ÅNGOR – Färg, lösningar, insektsdödande medel och andra material kan vara skadliga vid inandning eller kroppskontakt. Ångor kan orsaka svårt illamående, svimning eller förgiftning.

FÖREBYGGANDE:

- Använd en respirator eller gasmask vid risk för inandning av ångor. Läs alla instruktioner som medföljer masken för att försäkra dig om att den erbjuder tillräckligt skydd.
- Använd skyddsglasögon.
- Använd de skyddskläder som rekommenderas av färgtillverkaren.

FARA: ALLMÄNT – Kan orsaka svår skada eller egendomsskada.

FÖREBYGGANDE:

- Läs alla instruktioner och försiktighetsåtgärder innan utrustningen används.
- Följ alla lämpliga lokala, statliga och nationella bestämmelser för ventilation, förebyggande av eldsvåda och drift.
- Trycker man på avtryckaren uppstår en rekyll på den hand som håller sprejpistolen. Rekyllkraften från sprejpistolen kan vara speciellt kraftig när munstycket tagits bort och man applicerat högt tryck på luftfria pumpen. När man rengör utan sprejmunstycke ställer man in tryckknappen på lägsta möjliga tryck.
- Använd endast tillverkarens godkända reservdelar. Användaren står för alla risker och skyldigheter vid användning av delar som inte motsvarar de minimikrav och den säkerhetsutrustning som tillhandahålls av tillverkaren.
- Undersök alla slangar för förekomst av hål, läckor, förslitningsskador eller utbuktningar före varje användningstillfälle. Undersök alla kopplingar för att se om de är skadade eller rörliga. Byt omedelbart ut slangens vid förekomst av något av ovanstående. Reparera aldrig en målar slang. Byt ut den mot en jordad högtrycksslang.
- Följ ALLTID tillverkarens instruktioner för säker hantering av sprejfärger och lösningar.
- Använd inte denna enhet i täckta verkstäder enligt explosionsreglerna.
- Torka direkt upp allt material och alla lösningsmedel.
- Dra alltid ur kontakten från uttaget innan arbete utförs på utrustningen (endast elektriska enheter).
- Använd öronskydd. Denna enhet kan skapa en bullernivå på över 85 decibel.

- Lämna aldrig denna utrustning utan tillsyn. Håll utom räckhåll för barn eller andra som inte känner till hur man använder luftfri utrustning.
- Spraya inte utomhus i blåsig väder.

Instruktioner för jordning

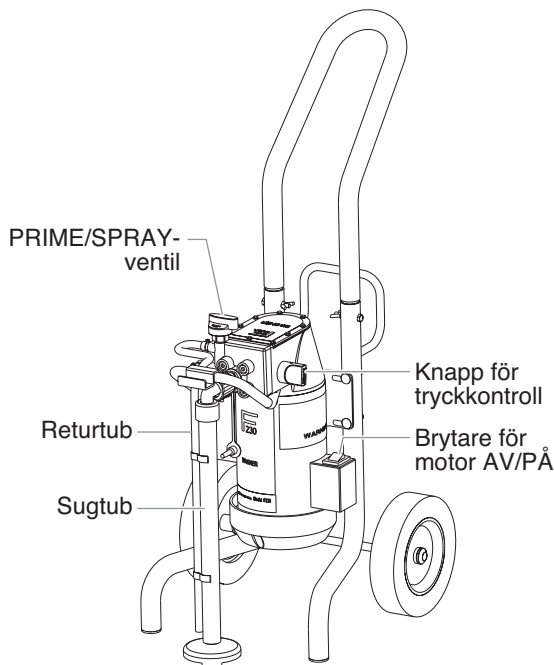
Man måste jorda elektriska modeller. Skulle det uppstå kortslutning minskar jordningen risken för elektriska stötar genom en avledningskabel för elströmmen. Med denna produkt medföljer en kabel med jordledning samt en jordkontakt. Kontakten måste kopplas till ett uttag som är korrekt installerat och jordat i enlighet med alla lokala regler och förordningar.

FARA – Installerar man jordkontakten felaktigt kan det resultera i risk för elektriska stötar. Om man måste byta ut kabeln eller kontakten så koppla inte den gröna jordsladden till någon av de platta bladterminalerna. Den gröna isolerade sladden med eller utan gula linjer är jordsladden och måste kopplas till jordpluggen.

Hör med en kvalificerad elektriker eller servicetekniker om det är något oklart med instruktionerna för jordning, eller om du är osäker på om produkten är korrekt jordad. Modifiera inte den kontakt som medföljer. Om pluggen inte passar uttaget måste en kontakt som passar installeras av en behörig elektriker.

Allmän Beskrivning

Denna högpresterande luftfria sprayare är ett precisionsverktyg som används för att spraya med många olika typer av material. Läs och följ denna bruksanvisning noggrant för fullständiga hanteringsinstruktioner, och underhålls- och säkerhetsinformation.



Specifikationer

Vikt:

Påfyllningsenhet17 kg (37 lbs.)

Sugenhet20 kg (44 lbs.)

KapacitetUpp till 1,25 liter (.35 gallons) per minut

StrömkällaElektrisk motor, helt kapslad, fläktkyld

Strömstyrka220–240 VAC, 50/60 Hz, 6.2 A eller 100–120 VAC, 50/60 Hz, 11.0 A

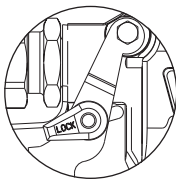
SpraytryckUpp till 20,7 Mpa (3 000 PSI)

KapaciteterSprayar en rad oljebaserade och latex färger, grundfärger och bets

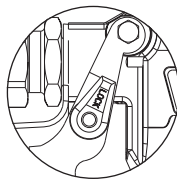
Förbered dig att måla

Sätta på Spetsen på Pistolen

1. Lås avtryckaren genom att rotera avtryckarlåset framåt tills det stannar.



Avtryckare låst
(pistolen kan inte spraya)



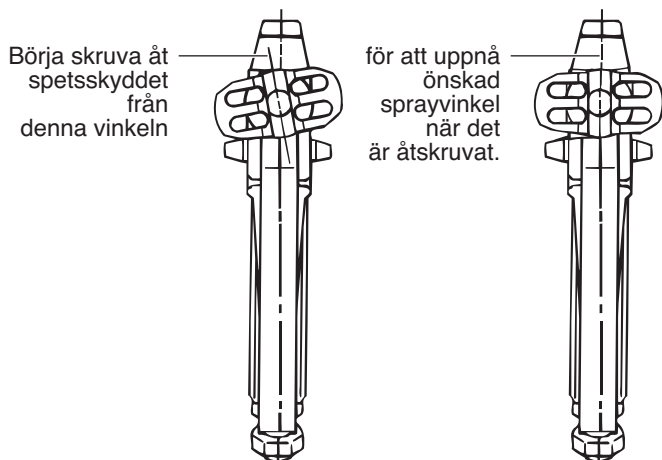
Avtryckare upplåst
(pistolen kan spraya)

⚠ VARNING

MÖJLIG INJEKTIONSFARA. Spraya inte utan att spetskyddet sitter på plats. Spraya aldrig med pistolen om inte spetsen är i antingen spray- eller avtättningsposition. Sätt alltid på pistolens avtryckarlås innan du tar bort, byter ut eller rengör spetsen.

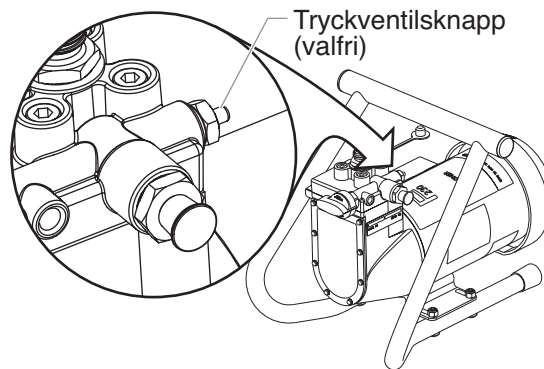
2. Trä på spetskyddet på pistolen. Skruva först åt muttern för hand och skruva sen åt hårdare med en nyckel.

ANMÄRKNING: När du sätter på spetskyddet på pistolen, justera spetskyddet på det sätt som visas i figuren nedan och skruva sen åt med en nyckel.



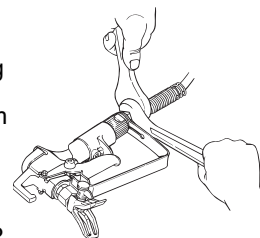
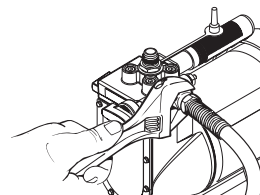
Kontrollera utgångsventilen (valfritt)

1. Tryck ordentligt in den valfria tryckventilsknappen på sidan av pumpens kåpa för att se till att utgångskulventilen rör sig fritt.



Att sätta på färgslangen

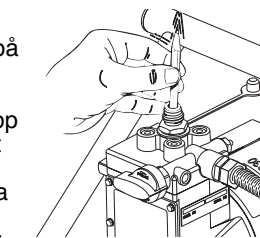
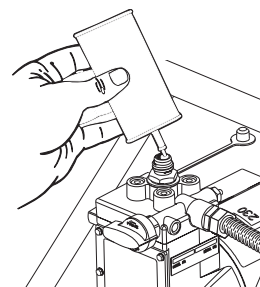
1. Sätt på högtrycksslangen på färgsprayaren. Använd en nyckel för att skruva fast färgslangen.
2. Sätt på spraypistolen på den andra änden av högtrycksslangen. Skruva fast slangen ordentligt på pistolen med hjälp av två nycklar.
3. Anslut sprayaren till ett korrekt jordat uttag eller en jordad förlängningssladd som kan ta hög belastning. Använd inte en sladd som är mer än 30 meter lång. Om du måste spraya långt borta från en strömkälla, använd mer färgslang, inte mer förlängningssladd. Använd en förlängningssladd med minst 1,52 mm (16-gauge) för sladdar upp till 15 meter, eller 3-2,5 mm (12-14-gauge) för förlängningssladdar mellan 15 och 30 meter.



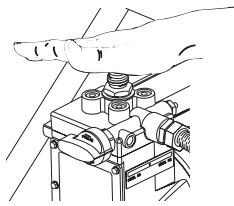
Att prima

Förbered dig att prima

1. Fyll ingångsventilen med vatten eller en lättflytande hushållsolja.
2. Se till att PRIME/SPRAY-ventilen är inställd på PRIME och att tryckkontrollsknappen är skruvad moturs till den lägsta tryckinställningen.
3. Vrjd motorns PÅ/AV-brytare till PÅ.
4. Öka trycket genom att vrida tryckkontrollsknappen medurs ett halvt varv.
5. Få ingångsventilen att öppna sig och stänga sig genom att trycka på den med en skruvmejsel eller radergummiänden av en blyertspenna. Den ska röra sig upp och ned ungefär 1 mm. Fortsätt tills vatten eller olja sugts in i sprayaren. Detta kommer att fukta de rörliga delarna och bryta loss eventuella kvarvarande färgrester.



- Placera din handflata över ingångsventilen. Vrid tryckkontrollsknappen medurs till maxläge. Du bör känna att ett sug kommer från ingångsventilen. Om detta inte sker, se sektionen om rengöring och underhåll av utgångsventilen.
- Vrid tryckkontrollsknappen moturs till minimiläget.
- Vrid motorns PÅ/AV-brytare till AV.



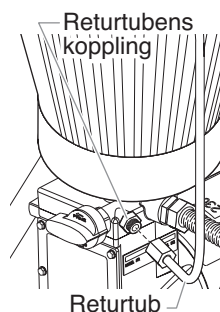
Att montera färgpåfyllaren

Gör på följande sätt för att montera färgpåfyllaren och ansluta returtuben till en påfyllningsenhet.

- Justera botten på färgpåfyllaren med den gängade ingångsventilen på färgpumpsblocket.
- Vrid färgpåfyllaren medurs för att gänga den med ingångsventilen. Fortsätt att vrida färgpåfyllaren tills den sitter ordentligt fast i ingångsventilen.

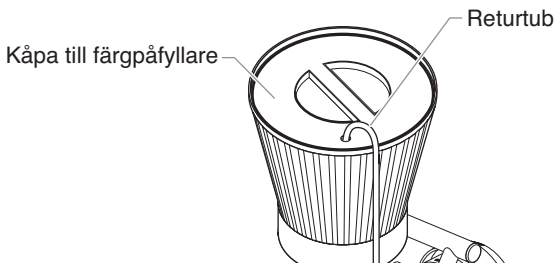
ANMÄRKNING: Se till att gängorna är raka och att påfyllaren roterar fritt på ingångsventilen. Korsgंगा inte.

- Placera filtret på botten av färgpåfyllaren och knäpp det på plats.
- Se till att motorns PÅ/AV-brytare är AV.
- Skruva in returtubens koppling (se medföljande litteratur) i returtubens öppning på sidan av pumpen.



ANMÄRKNING: Skruva inte åt för hårt. Använd endast handkraft. Ett par gånger kommer att vara synliga även om den är helt fastskruvad.

- Placera returtubens raka ände i returtubens koppling.
- Skruva på returtubens mutter på returtubens koppling och skruva åt tills den sitter fast.
- Placera returtubens krokade ände i hålet i färgpåfyllarens kåpa.



Att sätta på sugsetet

Gör på följande sätt för att ansluta sugsetet till en sugenhet.

- Justera muttern på sugsetet med den gängade ingångsventilen på färgpumpsblocket.
- Vrid muttern medurs för att gänga den med ingångsventilen. Fortsätt att vrida muttern tills den sitter ordentligt fast i ingångsventilen.

ANMÄRKNING: Se till att gängorna är raka och att muttern roterar fritt på ingångsventilen. Korsgंगा inte.

- Skruva fast returtubens koppling (se medföljande litteratur) i returtubens öppning på sidan av pumpen.

ANMÄRKNING: Skruva inte åt för hårt. Använd endast handkraft. Ett par gånger kommer att vara synliga även om den är helt fastskruvad.

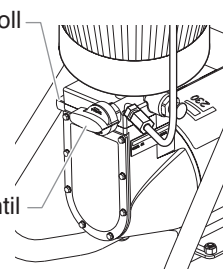
- Placera returtubens raka ände i returtubens koppling.
- Trä på returtubens klämma på returtubens koppling och skruva åt tills den sitter fast.

Att prima pumpen

- Vrid tryckkontrollsknappen moturs till minimiläget.

Knapp för tryckkontroll

PRIME/SPRAY-ventil



- Ta bort färgpåfyllarens kåpa och fyll den med material eller placera sugsetet i en hink med material.
- Vrid PRIME/SPRAY-ventilen till PRIME.
- Vrid motorns PÅ/AV-brytare till PÅ.
- Vrid tryckkontrollsknappen medurs till mellan halvt och fullt tryck. Låt enheten flöda 1-2 minuter efter att material börjar flöda genom returtuben.

⚠ OBSERVERA

Minska alltid trycket till noll innan du ändrar positionen av PRIME/SPRAY-ventilen. Om du inte gör detta kan du orsaka skador på färgpumpens skiljevæg.

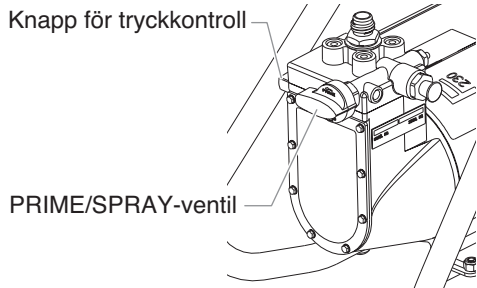
⚠ OBSERVERA

Om tryckkontrollsknappen är på noll och PRIME/SPRAY-ventilen fortfarande är på SPRAY medan sprayaren är igång, kommer det att finnas ett högt tryck i slangen och spraypistolen tills PRIME/SPRAY-ventilen vrids till PRIME eller tills spraypistolen utlöses för att minska trycket.

Procedur för att minska trycket

Följ denna procedur efter att enheten har satts ihop och innan någon åtgärd som innefattar spraypistolen, som rengöring och underhåll eller utbyte av spetsar eller tillbehör.

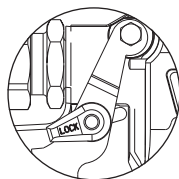
1. Vrid tryckkontrollsknappen moturs till minimiläget.



2. Vrid PRIME/SPRAY-ventilen till PRIME.
3. Utlös pistolen för att ta bort eventuellt kvarvarande tryck i slangen.
4. Lås avtryckaren genom att rotera avtryckarlåset framåt tills det stannar.

⚠ VARNING

Möjlig injektionsfara. **Spraya inte utan att spetskyddet är på plats. Spraya ALDRIG med pistolen om inte spetsen är helt vriden till antingen spray- eller avtättningsposition. Sätt ALLTID på pistolens avtryckarlås innan du tar bort, byter ut eller rengör spetsen.**

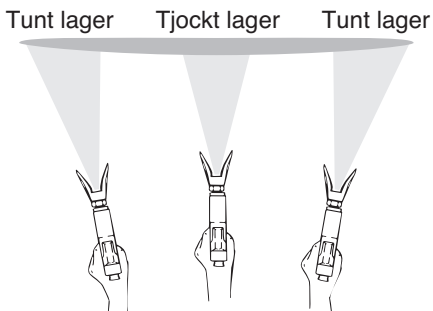


Avtryckare låst (pistolen kan inte spraya)

Att spraya

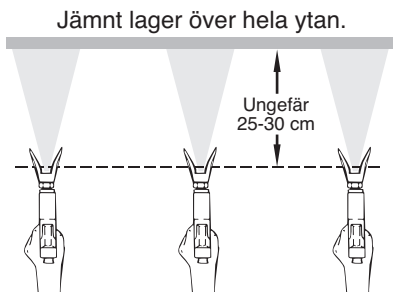
Sprayteknik

Nyckeln till ett bra målningsjobb är att få ett jämnt lager över hela ytan. Detta uppnås med jämna stråk. Rör din arm med en jämn hastighet och håll spraypistolen på ett jämnt avstånd från ytan. Det bästa sprayavståndet är 25-30 cm mellan sprayspetsen och ytan.



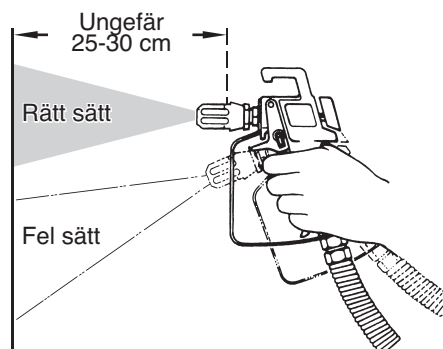
Böj inte handleden när du sprayar.

Håll spraypistolen i en rak vinkel mot ytan. Detta betyder att du bör röra hela din arm fram och tillbaka och inte bara böja din handled.



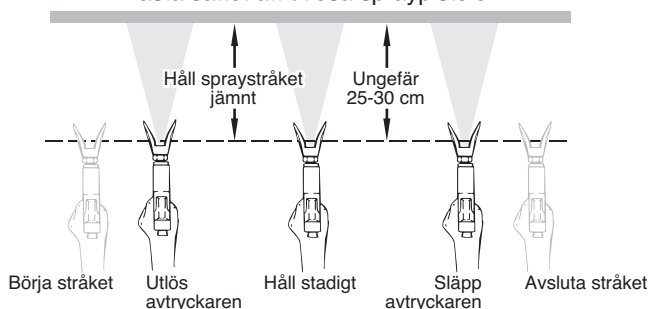
Håll dina spraystråk jämna och håll en jämn hastighet.

Håll spraypistolen vinkelrätt med ytan, annars kommer en sida av stråket att bli tjockare än det andra.



Spraypistolen bör utlösas genom att stänga av och på den för varje stråk. Detta kommer att spara material och undvika att material byggs upp vid slutet av ett stråk. Utlös inte pistolen mitt i ett stråk. Detta kommer att ge dig en ojämn spray och fläckig täckning.

Bästa sättet att utlösa spraypistolen



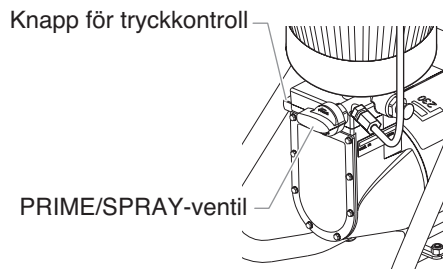
Överlappa vart stråk med ungefär 30%. Detta kommer att ge dig en jämn täckning.

När du slutar måla, lås pistolens avtryckarlås, vrid tryckkontrollsknappen moturs till minimiläget och sätt PRIME/SPRAY-ventilen till PRIME. Sätt motorns PÅ/AV-brytare till AV och koppla ur sprayaren.

Om du inte kommer att använda den inom en timme, gå igenom den korta rengöringsprocedur som beskrivs i RENGÖRINGS-sektionen i denna bruksanvisning.

Övning

1. Försäkra dig om att färgslangen inte är böjd eller rör vid något objekt med skarpa kanter.
2. Vrid tryckkontrollsknappen moturs till minimiläget.



3. Vrid PRIME/SPRAY-ventilen till SPRAY.
4. Vrid tryckkontrollsknappen medurs till maxläget. Färgslangen bör stelna till efter att material börjar flöda genom den.

- Lås upp pistolens avtryckare genom att vrida på brytaren så att den är parallell med handtaget.
- Utlös spraypistolen för att få bort luft från slangen.
- När material når sprayspetsen, spraya ett testområde för att kontrollera spraymönstret.
- Använd den lägsta möjliga tryckinställningen för att få ett bra spraymönster. Om trycket är för högt kommer spraymönstret att bli för tunt. Om trycket är för lågt kommer du att få eftersläpning eller så kommer färgen att komma ut i klumpar istället för en fin spray.

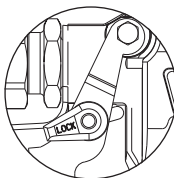


Rengöring

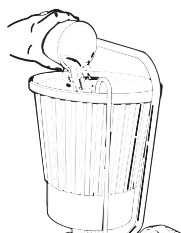
Förvara över natten

Stänga ned

- Vrid tryckkontrollsknappen moturs till minimiläget.
- Vrid PRIME/SPRAY-ventilen till PRIME för att få bort tryck i systemet.
- Utlös pistolen för att ta bort eventuellt kvarvarande tryck i slangen.
- Lås avtryckaren genom att rotera avtryckarlåset framåt tills det stannar.
- Sätt motorns PÅ/AV-brytare till AV och koppla ur sprayaren.
- Endast för latexmaterial: håll långsamt en halv kopp vatten över färgen för att förhindra att den torkar ut. För andra material, försegla materialbehållaren eller färgpåfyllaren (med locket till påfyllaren), och lämna kvar returtuben i materialet.



Avtryckare låst (pistolen kan inte spraya)



- Linda in spraypistolensheten i en fuktig handduk och placera den i en plastkasse. Försegla kassen.



- Placera sprayaren på ett säkert ställe utan solljus för kortvarig förvaring.

Uppstart

- Ta ut pistolen ur plastkassen.
- Rör ihop vattnet med färgen – för latexmaterial. För alla andra material - ta bort locket från färgpåfyllaren eller materialbehållaren och rör om i färgen.
- Se till att PRIME/SPRAY-ventilen är inställd på PRIME och att trycket är helt reducerat.
- Anslut sprayaren till eluttag och sätt motorns PÅ/AV-brytare till PÅ.
- Efter att sprayaren är primad, vrid PRIME/SPRAY-ventilen till SPRAY och vrid gradvis tryckkontrollsknappen medurs för att öka trycket.
- Testa sprayaren på en övningsbit och börja spraya.



Förvara under längre tid

⚠ VARNING

Låt inte material byggas upp på motorn, annars kommer den att överhettas. Låt inte brandfarliga lösningar komma i kontakt med motorn, eftersom de kan fatta eld.

ANMÄRKNING: Du kommer att behöva en hink, rengöringsmedel, en tandborste, en nyckel och rengöringstrasor.

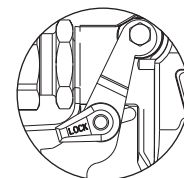
⚠ OBSERVERA

Använd inte mineralsprit eller färgförtunningsmedel på latexfärg – den kommer att förvandlas till en geléliknande substans som är svår att få bort.

Att rensa ut färgpåfyllaren

Gör på följande sätt för att rensa ut material från påfyllningsenhetens färgpåfyllare.

- Lås avtryckaren genom att rotera avtryckarlåset framåt tills det stannar.
- Vrid tryckkontrollsknappen moturs till minimiläget.
- Vrid PRIME/SPRAY-ventilen till PRIME.
- Vrid motorns PÅ/AV-brytare till AV.
- Placera returtuben i den ursprungliga materialbehållaren.
- Vrid motorns PÅ/AV-brytare till PÅ.
- Vrid tryckkontrollsknappen till halvt maxläge. Detta kommer att dra upp kvarvarande material från färgpåfyllaren, genom pumpen, upp genom returtuben och in i materialbehållaren.
- Vrid tryckkontrollsknappen moturs till minimiläget.
- Utlös spraypistolen för att få bort luft och lås sedan pistolen.
- Ta bort sprayspetsen och dess skydd och placera dem i en behållare med vatten eller lämpligt lösningsmedel för den typ av material du använder.
- Fyll färgpåfyllaren med vatten eller lämpligt lösningsmedel för den typ av material du använder.
- Rikta returtuben ned i en avfallshink.
- Öka trycket till halvt maxläge. Låt vattnet eller lösningsmedlet cirkulera i 2-3 minuter för att skölja ut material från pumpen, färgpåfyllaren och returtuben.

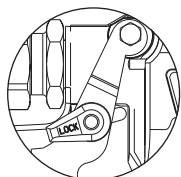


Avtryckare låst (pistolen kan inte spraya)

Att rensa ut sugsetet

Gör på följande sätt för att rensa ut material från sugenhetens sugtub.

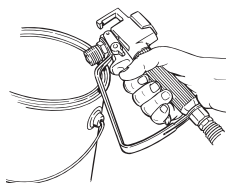
1. Vrid tryckkontrollsknappen moturs till minimiläget.
2. Vrid PRIME/SPRAY-ventilen till PRIME.
3. Vrid motorns PÅ/AV-brytare till AV.
4. Vänta ett par sekunder och utlös sedan pistolen inuti materialbehållaren för att släppa ut uppbyggt vätskestryck från pumpen.
5. Lås avtryckaren genom att rotera avtryckarlåset framåt tills det stannar.
6. Ta bort sugslangen från materialet och håll den ovanför en hink med vatten eller lösningsmedel. Lämna kvar returtuben i den ursprungliga materialbehållaren.
7. Vrid motorns PÅ/AV-brytare till PÅ.
8. Vrid tryckkontrollsknappen till halvt maxläge. Detta kommer att dra upp kvarvarande material från sugtuben, genom pumpen, ned genom returtuben och in i materialbehållaren.
9. Vrid tryckkontrollsknappen moturs till minimiläget.
10. Placera ansluten sugtub och returtub i behållaren med vatten eller lämpligt lösningsmedel.
11. Ta bort sprayspetsen och dess skydd och placera dem i en behållare med lämpligt lösningsmedel.
12. Öka trycket till halvt maxläge. Låt vattnet eller lösningsmedlet cirkulera i 2-3 minuter för att skölja ut färg från pumpen, sugtuben och returtuben.



Avtryckare låst (pistolen kan inte spraya)

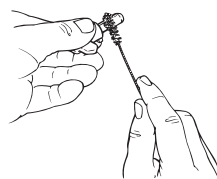
Att rensa ut färgslangen

1. För att spara material som finns kvar i slangen, lås upp pistolens avtryckarlås och utlös försiktigt pistolen, med sprayspetsen borttagen, mot insidan av materialbehållaren.
2. Vrid tryckkontrollsknappen moturs till minimiläget.
3. Vrid PRIME/SPRAY-ventilen till SPRAY.
4. Roter långsamt tryckkontrollsknappen tills dess att material börjar flöda ned i hinken. Så fort vatten eller lösningsmedel börjar flöda ut i hinken, släpp avtryckaren.
5. Byt till rent vatten eller lösningsmedel, rikta pistolen mot avfallshinkens sida och fortsätt cirkulera i fem minuter till för att grundligt rengöra slangen, pumpen och spraypistolen.
6. Vrid tryckkontrollsknappen moturs till minimiläget.
7. Vrid PRIME/SPRAY-ventilen till PRIME.
8. Utlös pistolen för att ta bort eventuellt kvarvarande tryck i slangen.
9. Lås avtryckaren genom att rotera avtryckarlåset framåt tills det stannar.
10. Vrid motorns PÅ/AV-brytare till AV.
11. Täck över materialbehållaren och sätt den åt sidan.

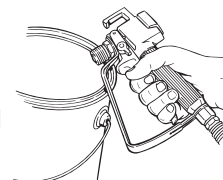
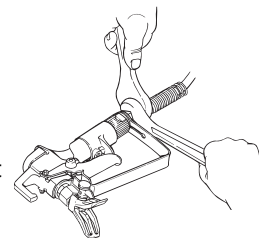


Att rensa ut pistolen

1. Separera spraypistolen från färgslangen med hjälp av två justerbara nycklar.
2. Ta bort filterkåpan från pistolen. Placera pistolen och filterenheten i en behållare med vatten eller lösningsmedel för att blötlägga.
3. Rengör sprayspetsen och pistolfiltret med en mjuk borste.
4. Montera ihop pistolen och filtret igen. Montera sprayspetsen i rengöringspositionen med pilen pekande mot bakänden av pistolen.



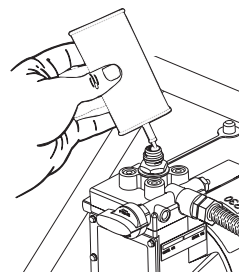
5. Skruva fast färgslangen på pistolen och dra åt med två nycklar.
6. Vrid motorns PÅ/AV-brytare till PÅ.
7. Lås upp pistolens avtryckare genom att vrida på avtryckarlåset så att det är parallellt med handtaget.
8. Vrid PRIME/SPRAY-ventilen till SPRAY och rikta pistolen mot sidan av avfallshinken.
9. Utlös pistolen och vrid gradvis tryckkontrollsknappen till halvt tryck. Fortsätt att utlösa pistolen i ungefär 30 sekunder.
10. Vrid tryckkontrollsknappen moturs till minimiläget.
11. Vrid PRIME/SPRAY-ventilen till PRIME.
12. Utlös pistolen för att ta bort eventuellt kvarvarande tryck i slangen.
13. Lås avtryckaren genom att rotera avtryckarlåset framåt tills det stannar.
14. Vrid motorns PÅ/AV-brytare till AV.



Slutlig rengöring

1. Ta bort spetsenheten.
2. Vrid motorn till PÅ.
3. Vrid PRIME/SPRAY-ventilen till SPRAY.
4. Vrid tryckkontrollsknappen medurs till halvt tryck.
5. Utlös pistolen ned i rengöringshinken tills påfyllningsenheten eller hinken med lösningsmedel är tom.
6. Fyll åter på påfyllningsenheten eller hinken med lösningsmedel och fortsätt att skölja ur systemet tills lösningen som kommer ut ur pistolen är ren.
7. Lås pistolen och vrid tryckkontrollsknappen moturs till minimiläget.
8. Vrid PRIME/SPRAY-ventilen till PRIME.
9. Koppla bort påfyllningsenheten eller sugenheten från ingångsventilen.
10. Rengör gängorna på ingångsventilen med en fuktig trasa.
11. Fyll ingångsventilen med en lättflytande hushållsolja.
12. Vrid PRIME/SPRAY-ventilen till SPRAY för att fördela oljan.

ANMÄRKNING: Att rengöra och olja pumpen efter användning är den viktigaste åtgärden du kan ta för att försäkra dig om att den fungerar som den ska efter att inte ha använts på en längre tid.



13. Vrid tryckkontrollsknappen moturs till minimiläget.
14. Vrid PRIME/SPRAY-ventilen till PRIME.
15. Utlös pistolen för att ta bort eventuellt kvarvarande tryck i slangen.
16. Lås avtryckaren genom att rotera avtryckarlåset framåt tills det stannar.
17. Vrid motorns PÅ/AV-brytare till AV.

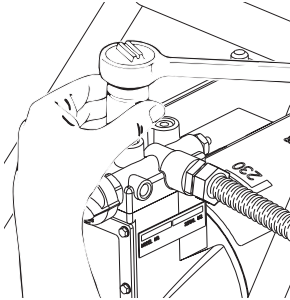
18. Ta bort påfyllningsenhetens filter och rengör med rent vatten eller med lämpligt lösningsmedel. Använd en mjuk borste.
19. Sätt tillbaka filtret på sin plats i påfyllaren.
20. Koppla tillbaka påfyllningsenheten eller sugenheten med ingångsventilen.
21. Torka av hela enheten, slangen och pistolen med en fuktig trasa för att ta bort ackumulerat material.

Underhåll

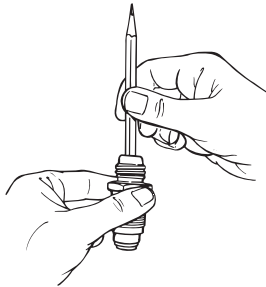
Följ dessa procedurer när du stöter på problem som hänvisas till i felsökningskapitlet.

Att ta isär och rengöra ingångsventilerna

1. Utför tryckbegränsningsproceduren, stäng av och koppla ur enheten.
2. Ta bort ingångsventilens enhet med hjälp av en 27-millimeters hylsnyckel eller ringnyckel.



3. Testa ventilens rörlighet genom att trycka på den öppna delen av ventilens kåpa med en skruvmejsel eller radergummiändan av en blyertspenna. Den bör röra sig ungefär 0,15 mm. Om den inte rör sig bör den rengöras eller bytas ut.



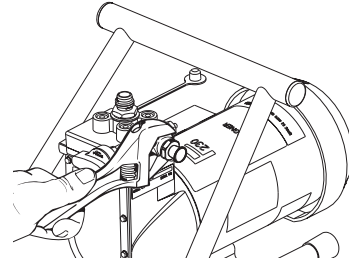
ANMÄRKNING: Ingångsventilen måste oljas efter varje användning. Detta kommer att reducera eller eliminera förberedelseproblem nästa gång sprayaren används.

4. Rengör ventilens enhet grundligt med rent vatten eller lämpligt lösningsmedel. Använd en liten borste.
5. Om ventilen har rengjorts grundligt och det droppar vatten från den nedre delen är ventilen utsliten och behöver bytas ut. En ventil som är korrekt placerad, fylld med vatten och i en lodrät position ska inte läcka.
6. Installera en ny eller rengjord ventil i pumpenheten och fyll sedan ventilen med en lättflytande olja eller lösningsmedel.

Att ta isär och rengöra utgångsventilen

Det kan bli nödvändigt att ta isär och rengöra utgångsventilen eller att byta ut delar inuti ventilen som har slitits ut genom normal användning.

1. Ta loss utgångsventilens enhet med en nyckel.



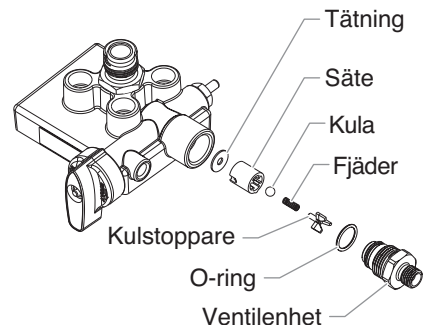
2. Ta ur och rengör kulstoppet och den lilla fjädern inuti ventilen med hjälp av en trådhake eller pincett. Byt ut fjädern om den är trasig eller utsliten.

ANMÄRKNING: Denna fjäder har tillverkats med en mycket specifik spänning. Använd inte en ersättningsfjäder som inte är rekommenderad. Se diagrammet över färgpumpsenhetens delar för det korrekta numret på ersättningsfjädern.

3. Ta bort sätet och kulenheten.
4. Rengör alla delar grundligt. Om kulan eller sätet visar tecken på skador eller nedslitning, byt ut dem mot nya delar. Denna karbidkula måste ligga tätt emot sätet för att ventilen ska fungera som den ska.
5. Smörj alla delar med ett tunt lager lättflytande olja innan du sätter ihop dem igen.

ANMÄRKNING: Du måste justera gängan på sätet med spåret i pumpkåpan när du sätter ihop dem.

6. Släpp ned ventilen kula.
7. Infoga kulstoppet och fjädern och sätt tillbaka ventilens enhet. Se till att o-ringen har placerats korrekt och att lockets tunga passar inuti fjädern.
8. Skruva fast ventilens enhet ordentligt med en justerbar nyckel. Skruva inte åt för hårt.



Att rengöra färgpåfyllarens filter

Filtret i nedre delen av färgpåfyllaren kan behöva rengöring då och då. Kontrollera det varje gång du fyller på färg. Ta loss filtret genom att dra ut det ur påfyllaren med en tång. Rengör filtret med vatten eller lösningsmedel och en mjuk borste om nödvändigt.



Felsökning

Problem

Sprayaren startar inte.

Sprayaren startar men drar inte in färg när PRIME/SPRAY-ventilen är satt till PRIME.

Sprayaren drar upp färg men trycket faller när pistolen utlöses.

Sprayaren går inte att stänga av.

Sprayaren läcker.

Spetsenheten läcker.

Spraypistolen sprayar inte.

Färgmönstret visar eftersläpning.

Temperaturvakten utlöstes och stängde av sprayaren.

Orsak

1. Sprayaren är inte kopplad till ett eluttag.
2. PÅ/AV-brytaren är AV.
3. Låg eller ingen ström kommer från vägguttaget.
4. Sprayaren stängdes av medan den fortfarande var under tryck.
5. Förlängningssladden är skadad eller har för låg kapacitet.
6. Temperaturvakten har utlösts.
7. Problem med motorn.

1. Enheten primär inte ordentligt eller har förlorat förmågan att prima.
2. Färgpåfyllaren är tom.
3. Färgpåfyllarens filter är tilltäppt.
4. Ingångsventilen har fastnat.
5. Utgångsventilen har fastnat.
6. PRIME/SPRAY-ventilen är tilltäppt.
7. Ingångsventilen är nedsliten eller skadad.
8. Problem med skiljeväggen.
9. Nivån på den hydrauliska oljan är låg eller obefintlig.

1. Sprayspetsen är nedsliten.
2. Färgpåfyllarens filter är tilltäppt.
3. Pistolen eller filtret till sprayspetsen är tilltäppt.
4. Färgen är för tung eller grov.
5. Utgångsventilsenheten är smutsig eller nedsliten.
6. Ingångsventilsenheten är nedsliten eller skadad.

1. Ventilokulan eller kulans säte på ingångs- eller utgångsventilen är nedslitna.
2. Obehöriga partiklar eller färg har lagrat sig mellan kulan och sätet.

1. Pistolens inre delar är nedslitna eller smutsiga.

1. Spetsen monterades inte korrekt.
2. En tätning är nedsliten.

1. Sprayspetsen, pistolfiltret eller spetsfiltret är tilltäppt.
2. Sprayspetsen är i RENGÖR-läget.

1. Trycket är för lågt.
2. Pistolen, spetsen eller påfyllarens filter är tilltäppt.
3. Spetsen är nedsliten.
4. Färgen är för tjock.

1. Motorn är överhettad.
2. Förlängningssladden är för lång eller har för låg kapacitet.
3. Färg har byggts upp på motorn.
4. Motorn startades medan sprayaren var under tryck.
5. Sprayaren har lämnats i hett solljus.

Lösning

1. Anslut sprayaren till eluttag.
2. Vrid PÅ/AV-brytaren till PÅ.
3. Testa styrkan av strömtilförseln.
4. Vrid PRIME/SPRAY-ventilen till PRIME.
5. Byt ut förlängningssladden.
6. Låt motorn svalna och flytta sprayaren till ett svalare ställe.
7. Ta sprayaren till ett auktoriserat Wagner Servicecenter.

1. Försök prima enheten igen.
2. Fyll på färg i färgpåfyllaren.
3. Rengör färgpåfyllarens filter.
4. Rengör ingångsventilen.
5. Rengör utgångsventilen och byt ut nedslitna delar.
6. Ta sprayaren till ett auktoriserat Wagner Servicecenter.
7. Byt ut ingångsventilen.
8. Ta sprayaren till ett auktoriserat Wagner Servicecenter.
9. Ta sprayaren till ett auktoriserat Wagner Servicecenter.

1. Byt ut sprayspetsen mot en ny spets.
2. Rengör färgpåfyllarens filter.
3. Rengör eller byt ut mot ett korrekt filter. Ha alltid extra filter till hands.
4. Tunna ut eller sila färgen.
5. Rengör eller byt ut utgångsventilsenheten.
6. Byt ut ingångsventilen.

1. Ta sprayaren till ett auktoriserat Wagner Servicecenter.
2. Ta sprayaren till ett auktoriserat Wagner Servicecenter.

1. Ta sprayaren till ett auktoriserat Wagner Servicecenter.

1. Kontrollera spetsenheten och montera korrekt.
2. Byt ut tätningen.

1. Rengör sprayspetsen, pistolfiltret eller spetsfiltret.
2. Sätt spetsen i SPRAY-läge.

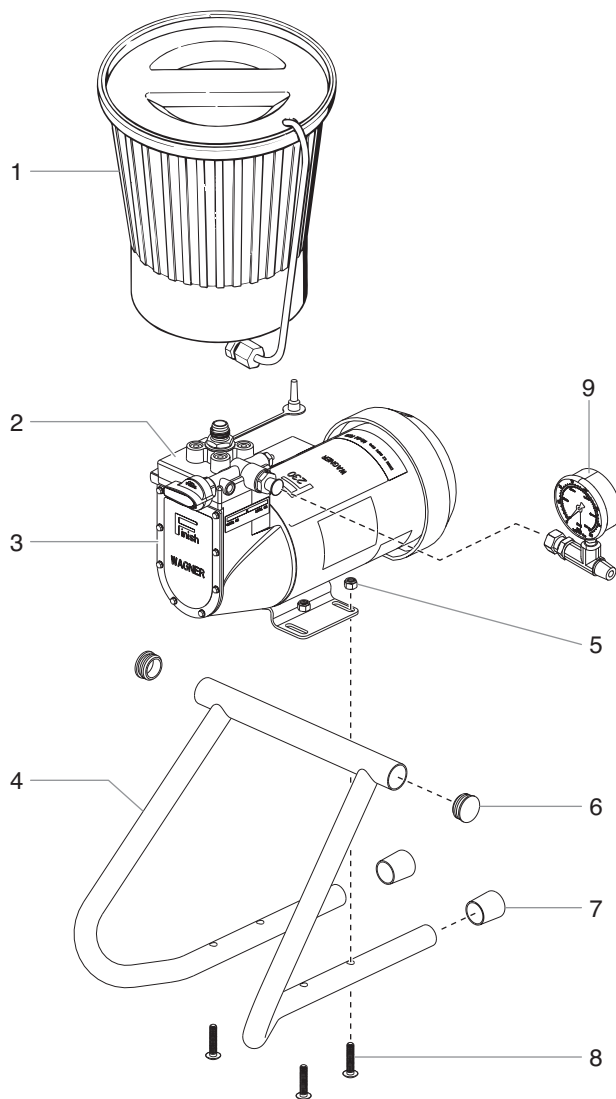
1. Öka trycket.
2. Rengör filterna.
3. Byt ut sprayspetsen.
4. Tunna ut färgen.

1. Låt den svalna i 30 minuter.
2. Låt svalna i 30 minuter och byt ut förlängningssladden mot en kortare eller grövre sladd.
3. Ta bort färg från motorn.
4. Starta om sprayaren i PRIME-läget.
5. Flytta sprayaren bort från solen.

ANMÄRKNING: När PRIME/SPRAY-ventilen är satt till SPRAY och det kommer flöde genom returturen, ta loss PRIME/SPRAY-ventilen och rengör eller byt ut den.

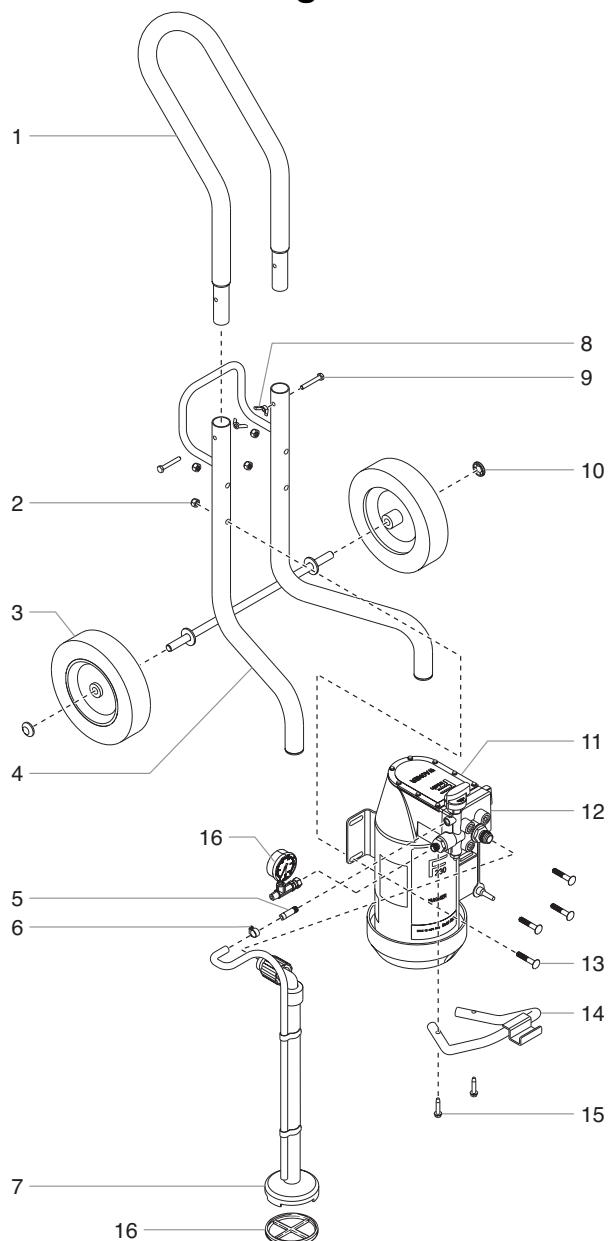
ANMÄRKNING: Den elektriska motorn bör alltid hållas ren och torr. Färg verkar som en isolator. För mycket färg på motorn kommer att göra att den överhettas.

Lista över delar Huvudenhet – Färgpåfyllarenhet



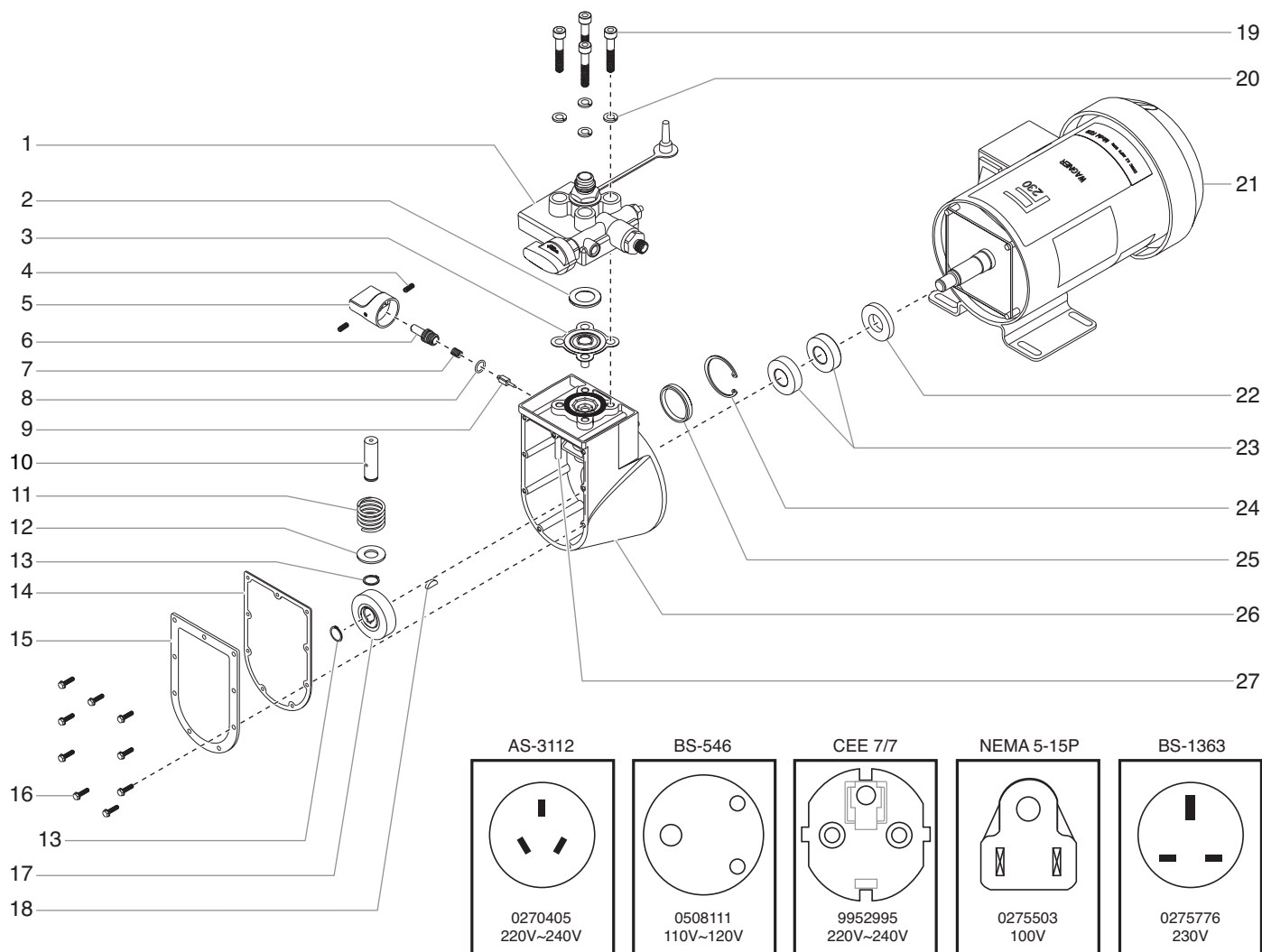
Enhet	Del #	Beskrivning	Antal
1	0288144	Påfyllningsenhet.....	1
2	-----	Pumphuvdsenhet.....	1
3	0281118	Skiljevägg pump, 220–240 VAC.....	1
	0311200	Skiljevägg pump, 100–120 VAC.....	1
4	0278310	Ställ.....	1
5	9811122	Låsstift.....	4
6	0294635	Plugg.....	2
7	0270343	Tublock.....	2
8	9805213	Rundskruv.....	4
9	0508239	Tryck dimension (om utstyrt med).....	1

Huvudenhet – Sug enhet



Enhet	Del #	Beskrivning	Antal
1	0508251	Handtag.....	1
2	9811122	Skruvlås.....	4
3	0512396	Hjul.....	2
4	0508255	Ram.....	1
5	0088715	Koppling returslang.....	1
6	0327226	Klämma returslang.....	1
7	0278147	Sug enhet (inkluderar enhet 16).....	1
8	9810111	Vingmutter.....	2
9	9800108	Skruv.....	2
10	9810113	Axellock.....	2
11	0555126	Skiljevägg pump, 220–240 VAC.....	1
	0311200	Skiljevägg pump, 100–120 VAC.....	1
12	-----	Pumphuvdsenhet.....	1
13	9802533	Rundskruv.....	4
14	0278364	Hinkkrok.....	1
15	9802519	Skruv.....	2
16	0270369	Filter.....	1
17	0508239	Tryck dimension (om utstyrt med).....	1

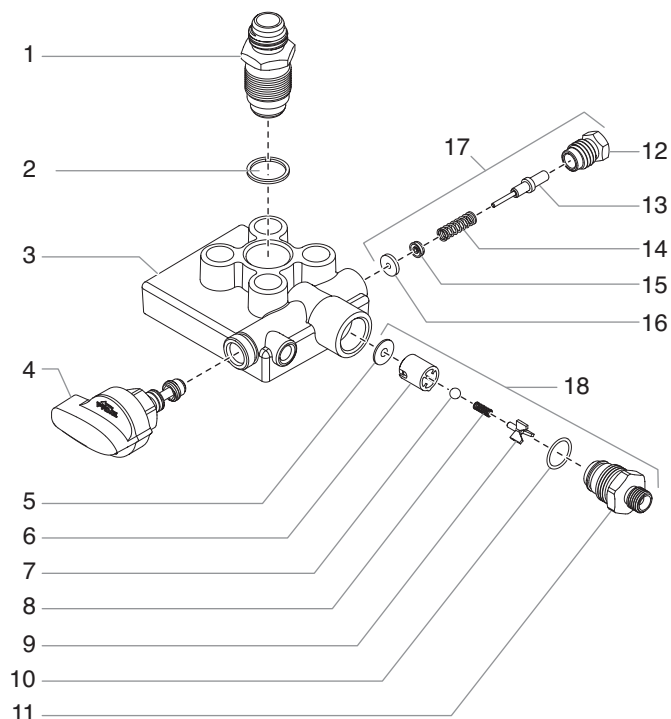
Skiljevägg pump (P/N 055126 / 220–240 VAC eller P/N 0311200 / 100–120 VAC)



Enhet	Del #	Beskrivning	Antal
1	0311215	Pumphuvud.....	1
2	0270494	Skiljeväggsring.....	1
3	0270201	Skiljevägg.....	1
4	9801109	Stoppskruv.....	2
5	0288775	Knapp för tryckkontroll.....	1
6	0270529	Ventilförlä.....	1
7	0047373	Fjäder för tryckkontroll.....	1
8	0089518	O-ring.....	1
9	0089475	Nål till tryckventil.....	1
10	0278345	Hydraulisk pistong.....	1
11	0005311	Pistongfjäder.....	1
12	0270550	Pistongbricka.....	1
13	0047393	Hållare.....	2
14	0278359	Packning.....	1
15	0278341	Hydrauliskt lock.....	1
16	9800049	Skruv.....	9
17	0090031	Excenterhylsa och lagerenhet.....	1

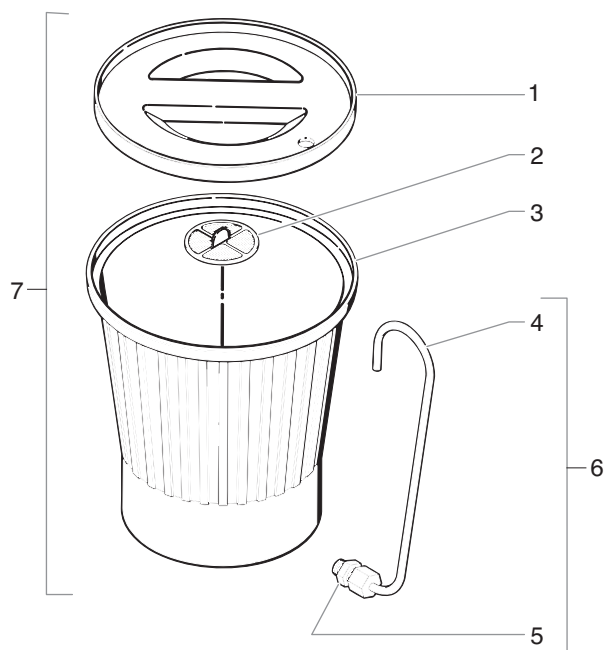
Enhet	Del #	Beskrivning	Antal
18	0089829	Axelnyckel.....	1
19	9900355	Hylsskruv (Torque till 20.3 Nm).....	4
20	9921601	Låsbricka.....	4
21	0508295	Motor, 220–240 VAC, sugenhet (inkluderar enhet 28 och 29).....	1
	0281117	Motor, 220–240 VAC, påfyllare (inkluderar enhet 28 och 29).....	1
	0278469	Motor, 100–120 VAC (inkluderar enhet 28 och 29).....	1
22	0270524	Tätning.....	1
23	0270490	Kullager.....	2
24	0311400	Låsring.....	1
25	9870117	Pluggtätning.....	1
26	0278238	Hydraulisk enhet (inkluderar enheter 22–25).....	1
27	0278387	Dubbelrör.....	1
28	0270462	Fläkt (inte avbildad).....	1
29	0270612	Fläktkåpa (inte avbildad).....	1
	-----	Sladd (inte avbildad, se ovan).....	1

Pumphuvudsenhet



Enhet	Del #	Beskrivning	Antal
1	0278242	Ingångsventilsenhet (inkluderar enhet 2)..1	1
2	0089482	Tätningbricka av nylon1	1
3	0278334	Färgpump1	1
4	0555901	Enhet för PRIME/SPRAY-ventil1	1
5	0278362	Utgångstätning1	1
6	0278241	Kulsäte1	1
7	0093635	Kula1	1
8	0047485	Utgångsfjäder1	1
9	0278361	Kulguide1	1
10	9871114	O-ring1	1
11	0278335	Utgångstätning1	1
12	0278337	Stötenhet1	1
13	0278250	Stötstångsenhet1	1
14	0278368	Stötstångsfjäder1	1
15	0156646	Tätning1	1
16	0278340	Stötenhet1	1
17	0508199	Utstötaren (inkluderar enheter 12 - 16)	1
18	0508198	Uttagsventien (inkluderar enheter 5 - 11)	1

Påfyllningsenhet



Enhet	Del #	Beskrivning	Antal
1	0279591	Lock till påfyllare1	1
2	0089917	Filter, finmaskigt (avbildat)1	1
3	0088871	Filter, grovmaskigt	1
4	0524443	Påfyllare1	1
5	0093865	Returtub1	1
6	0403309	Anslutning1	1
7	0090560	Returtubsenhet (inkluderar enheter 4 och 5).....1	1
7	0288144	Hela påfyllaren (inkluderar enheter 1 - 6)1	1

**Notes • Hinweis • Nota • Opmerking •
Bemærk • Anmärkning**

GB**Note on disposal:**

In observance of the European Directive 2002/96/EC on waste electrical and electronic equipment and implementation in accordance with national law, this product is not to be disposed of together with household waste material but must be recycled in an environmentally friendly way!



Wagner or one of our dealers will take back your used Wagner waste electrical or electronic equipment and will dispose of it for you in an environmentally friendly way. Please ask your local Wagner service centre or dealer for details or contact us direct.

I**Indicazione per lo smaltimento:**

Secondo la direttiva europea 2002/96/CE per lo smaltimento di vecchi apparecchi elettrici e la sua conversione nel diritto nazionale, questo prodotto non va smaltito attraverso i rifiuti domestici, bensì va smaltito portandolo al riutilizzo in conformità della tutela ambiente!



Il Vs. apparecchio vecchio Wagner verrà preso indietro da noi risp. dalle nostre rappresentanze commerciali e smaltito per Voi in conformità della tutela ambiente. In questo caso rivolgetevi ad uno dei nostri punti di servizio per l'assistenza clienti, risp. ad una delle nostre rappresentanze commerciali oppure direttamente a noi.

D**Entsorgungshinweis:**

Gemäß der europäischen Richtlinie 2002/96/EG zur Entsorgung von Elektro-Altgeräten, und deren Umsetzung in nationales Recht, ist dieses Produkt nicht über den Hausmüll zu entsorgen, sondern muss der umweltgerechten Wiederverwertung zugeführt werden!



Ihr Wagner-Altgerät wird von uns, bzw. unseren Handelsvertretungen zurückgenommen und für Sie umweltgerecht entsorgt. Wenden Sie sich in diesem Fall an einen unserer Service-Stützpunkte, bzw. Handelsvertretungen oder direkt an uns.

NL**Aanwijzing voor afvalverwerking:**

Conform de Europese Richtlijn 2002/96/EG voor afvalverwerking van oude elektrische apparatuur en diens uitvoer volgens nationaal recht, mag dit product niet in het huisval worden gedeponerd, en dient het milieuvriendelijk te worden gerecycled!



Uw oude Wagner-apparaat wordt door ons resp. onze handelsvertegenwoordigingen teruggenomen en op de betreffende inzamelpunten gedeponerd. Wendt u zich in dit geval aan één van onze service-contactpunten, resp. handelsvertegenwoordigingen of direct aan ons.

F**Consignes d'élimination:**

Selon la directive européenne 2002/96/CE sur l'élimination des vieux appareils électriques et sa conversion en droit national, ce produit ne peut pas être jeté dans les ordures ménagères, mais est à amener à un point de recyclage en vue d'une élimination dans le respect de l'environnement!



Wagner, resp. nos représentations commerciales reprennent votre vieil appareil Wagner pour l'éliminer dans le respect de l'environnement. Adressez-vous donc directement à nos points de service resp. représentations commerciales ou directement à nous.

DK**Henvisning vedrørende bortskafning:**

I henhold til det europæiske direktiv 2002/96/EF vedrørende bortskafning af gamle elektriske apparater og direktivets optagelse i national lovgivning må dette produkt ikke bortskaffes sammen med husholdningsaffald. Af hensyn til miljøet skal det afleveres på et genbrugscenter.



Vi hhv. vore forhandlere tager imod Deres gamle Wagner-apparat, hvorefter det bortskaffes på miljøvenlig måde. Henvend Dem i dette tilfælde til et af vores service-centre, vore forhandlere eller direkte til os.

E**Observación sobre la eliminación de residuos:**

De acuerdo con la directriz europea 2002/96/CE referente a la eliminación de aparatos eléctricos usados y su puesta en la práctica en el derecho nacional, este producto no se deberá eliminar en la basura doméstica, ¡sino que se deberá llevar a una planta de reciclaje ecológico!



Su aparato usado de Wagner nos lo puede entregar a nosotros o a una de nuestras agencias comerciales, del resto nos ocupamos nosotros, es decir, de la eliminación ecológica de los residuos. Diríjase en este caso a uno de nuestros centros de asistencia técnica o a una de nuestras agencias comerciales o bien directamente a nosotros.

S**Information om avfallshantering:**

Enligt det europeiska direktivet 2002/96/EG om avfall som utgörs av eller innehåller elektriska eller elektroniska produkter och tillämpningen av detta inom nationell rättspraxis, skall denna produkt inte kastas i hushållssoporna, utan måste återvinnas på ett miljövänligt sätt!



Din färdig använda utrustning från Wagner återtas av oss eller våra agenturer och avfallshanteringen sköts sedan på ett miljövänligt sätt. Vänd dig till något av våra serviceställen, agenturer eller direkt till oss.

Servicenet in Deutschland

Berlin

J. Wagner GmbH
Service-Stützpunkt
Flottenstraße 28-42
13407 Berlin
Tel. 0 30/ 41 10 93 86
Telefax 0 30 / 41 10 93 87

Grünstadt

J. Wagner GmbH
Service-Stützpunkt
Dieselstraße 1
67269 Grünstadt
Tel. 0 63 59 / 87 27 55 0
Telefax 0 63 59 / 80 74 80

Ratingen

J. Wagner GmbH
Service-Stützpunkt
Siemensstraße 6-10
40885 Ratingen
Tel. 0 21 02 / 3 10 37
Telefax 0 21 02 / 3 43 95

Heidersdorf in Sachsen

J. Wagner GmbH
Service-Stützpunkt
Olbernhauer Straße 11
09526 Heidersdorf
Tel. 03 73 61 / 1 57 07
Telefax 03 73 61 / 1 57 08

Stuttgart

J. Wagner GmbH
Service-Stützpunkt
In der Steige 6/1
72564 Neckartenzlingen
Tel. 0 71 27 / 30 74
Telefax 0 71 27 / 30 75

München

Jahnke GmbH
Hochstraße 7
82024 Taufkirchen
Tel. 0 89 / 6 14 00 22
Telefax 0 89 / 6 14 04 33
email: info@airless.de
www.airless.de

Nürnberg

Grimmer GmbH
Starenweg 28
91126 Schwabach
Tel. 0 91 22 / 7 94 73
Telefax 0 91 22 / 7 94 75 0
email: info@grimmer-sc.de
www.grimmer-sc.de

Markdorf – Zentrale

J. Wagner GmbH
Otto-Lilienthal-Straße 18
88677 Markdorf
Postfach 11 20
88669 Markdorf
Tel. 0 75 44 / 505-0
Telefax 0 75 44 / 505-200
www.wagner-group.com

Kundenzentrum

Tel. 0 75 44 / 505-664
Telefax 0 75 44 / 505-155
email: kundenzentrum@wagner-group.com

Technischer Service:

Günter Zimmer
Tel. 0 75 44 / 505-548
Bernd Dambacher
Tel. 0 75 44 / 505-563

Wagner Kontaktnetz Deutschland, im Internet zu finden unter: www.wagner-group.com/profi

Europa-Servicenet

A

J. Wagner GmbH
Oberflächentechnik
Lohnergasse 1
1210 Wien
Austria
Tel. 0043/1/2707781-0
Fax: 0043/1/2788430
office@wagner-group.at

B

Wagner Spraytech
Belgium SA
Veilinglaan 58
1861 Meise-Wolvertem
Belgium
Tel. 0032/2/2694675
Fax: 0032/2/2697845
info@wagner-group.be

CH

J. Wagner AG
Industriestr. 22
9450 Altstätten
Switzerland
Tel. 0041/71/7572211
Fax: 0041/71/7572222
wagner@wagner-group.ch

DK

Wagner Spraytech
Scandinavia A/S
Helgeshoj Allé 28
DK-2630 Tåstrup
Denmark
Tel. 0045/43/271818
Fax: 0045/43/430528
wagner@wagner-group.dk

E

Wagner Spraytech
Iberica, S.A.
P.O. Box 132, Crta. N-340
KM 1.245,4
08750 Molins de Rei
(Barcelona) Spain
Tel. 0034/93/6800028
Fax: 0034/93/6800555
info@wagnerspain.com

F

J. Wagner France S.A.R.L.
Parc Gutenberg - Bâtiment F
8 voie la Cardon,
91122 Palaiseau-Cedex
France
Phone: 0033/1/825 011 111
Fax: 0033/1/69817257
division.batiment@wagner-france.fr

GB

Wagner Spraytech (UK) Ltd.
The Coach House
2 Main Road
Middleton Cheney OX17 2ND
Great Britain
Tel. 0844 335 0517
Fax: 0044/1295/269861
enquiry@wagnerspraytech.co.uk

I

Wagner Colora S.R.L.
Via Fermi, 3
20040 Burago Molgora
(Milano) Italy
Tel. 0039/039/625021
Fax: 0039/039/6851800
info@wagnercolora.com

NL

Wagner Spraytech
Benelux B.V.
Zonneban 10, 3542 EC
Utrecht
Netherlands
Tel. 0031/30/2414155
Fax: 0031/30/2411787
info@wagner-group.nl

S

Wagner Spraytech
Scandinavia A/S
Helgeshoj Allé 28
DK-2630 Tåstrup
Denmark
Tel. 0045/43/271818
Fax: 0045/43/430528
wagner@wagner-group.dk

Patents • Patente • Brevets • Patentes • Brevetti • Patenten • Patenter • Patent

These products are covered by one or more of the following U.S. patents:

5,286,045	D349,711	5,263,789	5,252,210	D345,841	5,059,099	5,084,964
5,217,238	4,720,801	4,785,719	4,828,464	5,145,331	4,390,324	4,403,924
4,928,722	4,416,588	4,003,504	RE29,055	4,624,602	4,834,287	5,073,092
D376,637	D387,414	D382,938	3,963,180	4,025,045	D405,159	D412,965
5,505,381	5,765,753	5,887,793	5,893,522			