

INSTRUCTIONS-PARTS LIST



307-786

This manual contains **IMPORTANT INSTRUCTIONS and WARNINGS.**
READ AND RETAIN FOR REFERENCE.

Rev E
Supersedes D

120 VAC, 15 AMP

ULTRA® 750 AIRLESS PAINT SPRAYER

3000 psi (210 bar) MAXIMUM WORKING PRESSURE

Model 231-033, Series C

Basic sprayer on Upright cart without hose or gun

Model 231-042, Series B

Complete sprayer on Upright cart with hose, gun, RAC IV™, DripLess™ Tip Guard and SwitchTip™

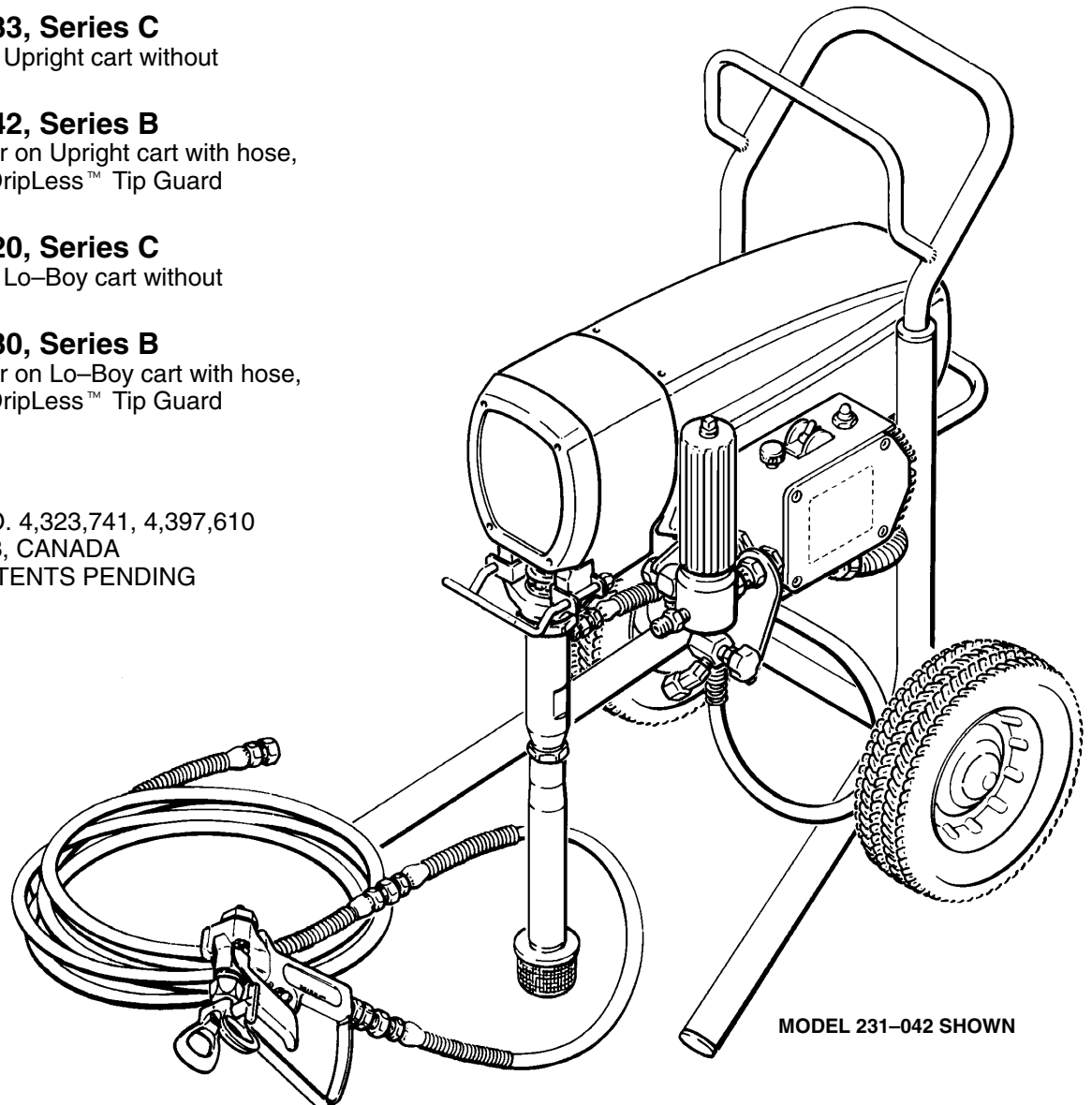
Model 221-120, Series C

Basic sprayer on Lo-Boy cart without hose or gun

Model 221-130, Series B

Complete sprayer on Lo-Boy cart with hose, gun, RAC IV™, DripLess™ Tip Guard and SwitchTip™

U.S. PATENT NO. 4,323,741, 4,397,610
PATENTED 1983, CANADA
AND OTHER PATENTS PENDING



MODEL 231-042 SHOWN

WARNING

Hazard of Using Fluids Containing Halogenated Hydrocarbons

Never use 1,1, 1-trichloroethane, methylene chloride, other halogenated hydrocarbon solvents or fluids containing such solvents in this equipment. Such use could result in a serious chemical reaction, with the possibility of explosion, which could cause death, serious bodily injury and/or substantial property damage.

Consult your fluid suppliers to ensure that the fluids being used are compatible with aluminum and zinc parts.

Refer to the Technical Data on page 47 for more information.

GRACO INC. P.O. BOX 1441 MINNEAPOLIS, MN 55440-1441

©COPYRIGHT 1986, GRACO INC.

TABLE OF CONTENTS

| | |
|--|----|
| INTRODUCTION | 2 |
| SAFETY WARNINGS | 4 |
| AVERTISSEMENT | 6 |
| ADVERTENCIA | 8 |
| SETUP | 10 |
| OPERATION | 11 |
| Startup | 11 |
| Cleaning a Clogged Tip | 12 |
| SHUTDOWN AND CARE | 13 |
| FLUSHING GUIDELINES | |
| When To Flush | 14 |
| How to Flush | 15 |
| TROUBLESHOOTING GUIDE | |
| Motor Won't Operate | 16 |
| Low Output | 19 |
| No Output | 20 |
| Excessive Pressure Fluctuations | 20 |
| Motor Is Hot And Runs Intermittently | 21 |
| Electrical Short | 21 |
| Spin Test | 22 |
| Bridge Test | 23 |

| | |
|---|----|
| REPAIR | |
| General Repair Information | 24 |
| Motor Brush Replacement | 25 |
| Power Supply Cord Replacement | 26 |
| On/Off Switch Replacement | 26 |
| Bridge Rectifier Replacement | 27 |
| Circuit Breaker Replacement | 27 |
| Circuit Board Replacement | 28 |
| Pressure Control Replacement | 29 |
| Pressure Control Adjustment | 30 |
| Bearing Housing & Connecting Rod Replacement | 32 |
| Drive Housing Replacement | 33 |
| Motor Replacement | 34 |
| Displacement Pump Repair | 36 |
| PARTS DRAWINGS & LISTS | |
| Displacement Pump | 39 |
| Upright Sprayer | 40 |
| Lo-Boy Sprayer | 42 |
| Pressure Control | 44 |
| Wiring Diagram | 45 |
| ACCESSORIES | 46 |
| TECHNICAL DATA | 47 |
| DIMENSIONS | 47 |
| GRACO PHONE NUMBERS | 47 |
| THE GRACO WARRANTY AND DISCLAIMERS .. | 48 |

INTRODUCTION

ULTRA® 750 BASIC COMPONENTS

Your new Ultra® 750 Sprayer functions and operates differently than other airless paint sprayers. This section will help you become familiar with the sprayer before operating it.

Pressure Control

The pressure control includes an ON/OFF switch for the sprayer, the pressure adjusting control knob, a pressure sensing device and a current overload circuit breaker with a manual reset button. The function of the pressure control is to control the motor speed so that the sprayer maintains constant fluid pressure at the pump outlet.

Motor

The DC motor has sealed bearings and replaceable motor brushes. Its function is to drive the displacement pump at the rate needed to supply sufficient paint volume at the selected pressure. Working together, the pressure control and motor cause the pump to cycle whenever there is fluid or pressure demand. When the pump is cycling, the motor sounds like an automobile starter cranking. When the pump is not cycling, the motor may hum intermittently until the fluid pressure stabilizes, then the motor will shut itself off. However, there will still be power to the sprayer and it will stay pressurized and ready to use until you manually shut it off and relieve pressure.

Because the motor is DC, it is less sensitive to low voltage or voltage fluctuations than an AC motor, and a heavy gauge extension cord of up to 150 ft. (45 m) can be used.

Drive Assembly

The sealed drive assembly transfers power from the DC motor to the displacement pump.

Displacement Pump

The positive displacement, volume-balanced pump provides equal fluid delivery on both the up and down pump strokes. The pump has a wet-cup which, when filled with Graco Throat Seal Liquid, helps prevent damage to the throat packings and piston rod.

Fluid Filter

The fluid filter strains the paint to help avoid clogs in the hose and spray tip. The filter includes a reusable element and has a pressure drain valve for manually relieving fluid pressure.

Hoses

The grounded, nylon spray hoses have spring guards on both ends. The 50 ft. (15.2 m) hose has a 1/4 in. ID. The 3 ft. (0.9 m), 3/16 in. ID hose provides more flexible gun movement. The nylon hose material acts as a pulsation dampener to absorb pressure fluctuations.

Spray Gun & RAC IV DripLess Tip Guard

Graco high pressure spray guns have a trigger safety which prevents accidental triggering when it is engaged. See the Detail in Fig 3-1. The gun provided with the sprayer also has a filter for final paint straining. The Reverse-A-Clean IV SwitchTip uses high pressure fluid to remove clogs from the spray tip without removing it from the gun. The Reverse-A-Clean IV DripLess tip guard is a safety feature which helps reduce the risk of fluid injection injury.

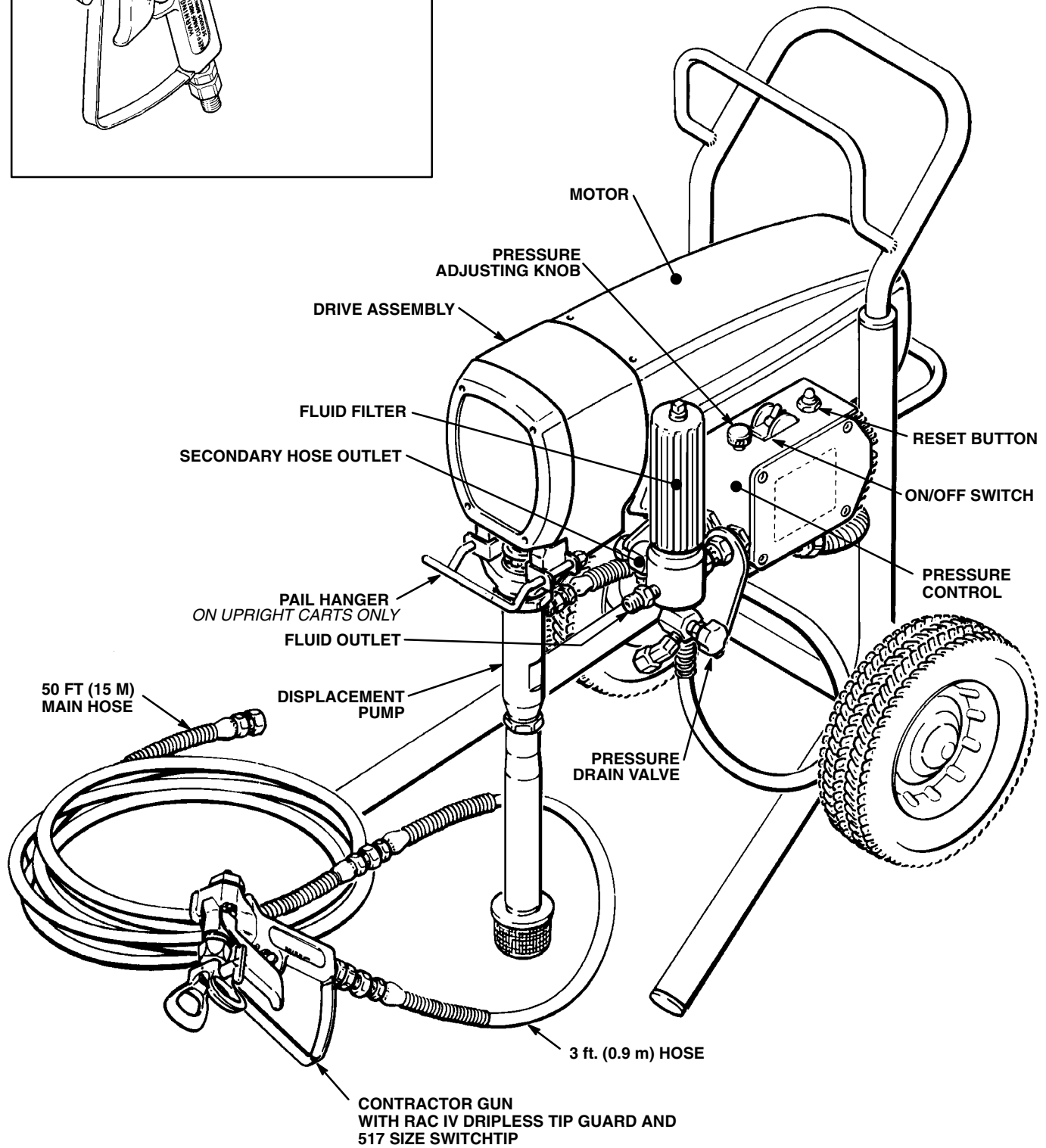
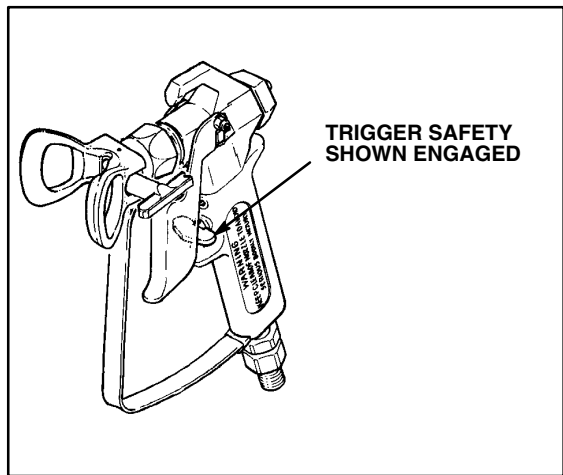


Fig 3-1

SAFETY WARNINGS

HIGH PRESSURE SPRAY CAN CAUSE SERIOUS INJURY.
FOR PROFESSIONAL USE ONLY. OBSERVE ALL WARNINGS

Read and understand all instruction manuals before operating equipment.

FLUID INJECTION HAZARD

General Safety

This equipment generates very high fluid pressure. Spray from the gun, leaks or ruptured components can inject fluid through your skin and into your body and cause extremely serious bodily injury, including the need for amputation. Also, fluid injected or splashed into the eyes or on the skin can cause serious damage.

NEVER point the spray gun at anyone or at any part of the body. NEVER put hand or fingers over the spray tip. NEVER try to “blow back” paint; this is NOT an air spray system.

ALWAYS have the tip guard in place on the spray gun when spraying.

ALWAYS follow the **Pressure Relief Procedure**, below, before cleaning or removing the spray tip or servicing any system equipment.

NEVER try to stop or deflect leaks with your hand or body.

Be sure equipment safety devices are operating properly before each use.

Medical Alert—Airless Spray Wounds

If any fluid appears to penetrate your skin, get **EMERGENCY MEDICAL CARE AT ONCE. DO NOT TREAT AS A SIMPLE CUT.** Tell the doctor exactly what fluid was injected.

Note to Physician: Injection in the skin is a traumatic injury. It is important to treat the injury surgically as soon as possible. Do not delay treatment to research toxicity. Toxicity is a concern with some exotic coatings injected directly into the blood stream. Consultation with a plastic surgeon or reconstructive hand surgeon may be advisable.

Spray Gun Safety Devices

Be sure all gun safety devices are operating properly before each use. Do not remove or modify any part of the gun; this can cause a malfunction and result in serious bodily injury.

Safety Latch

Whenever you stop spraying, even for a moment, always set the gun safety latch in the closed or “safe” position, making the gun inoperative. Failure to set the safety latch can result in accidental triggering of the gun.

Diffuser

The gun diffuser breaks up spray and reduces the risk of fluid injection when the tip is not installed. Check diffuser operation regularly. Follow the **Pressure Relief Procedure**, below, then remove the spray tip. Aim the gun into a metal pail, holding the gun firmly to the pail. Using the lowest possible pressure, trigger the gun. If the fluid emitted is not diffused into an irregular stream, replace the diffuser immediately.

Tip Guard

ALWAYS have the tip guard in place on the spray gun while spraying. The tip guard alerts you to the fluid injection hazard and helps reduce, but does not prevent, the risk of accidentally placing your fingers or any part of your body close to the spray tip.

Trigger Guard

Always have the trigger guard in place on the gun when spraying to reduce the risk of accidentally triggering the gun if it is dropped or bumped.

Spray Tip Safety

Use extreme caution when cleaning or changing spray tips. If the spray tip clogs while spraying, engage the gun safety latch immediately. ALWAYS follow the **Pressure Relief Procedure** and then remove the spray tip to clean it.

NEVER wipe off build-up around the spray tip until pressure is fully relieved and the gun safety latch is engaged.

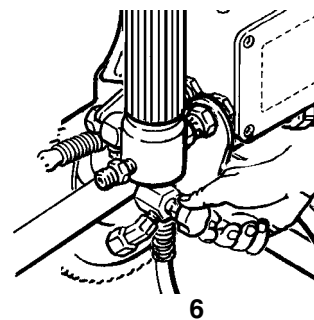
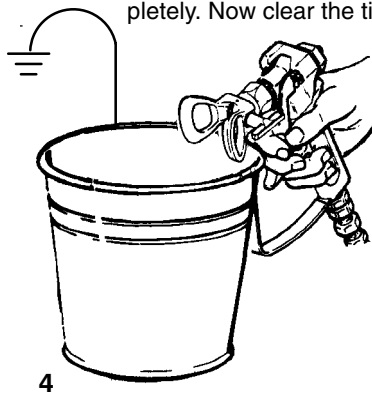
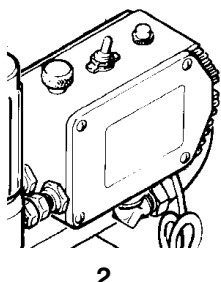
Pressure Relief Procedure

To reduce the risk of serious bodily injury, including fluid injection, splashing fluid or solvent in the eyes or on the skin, or injury from moving parts or electric shock, always follow this procedure whenever you shut off the sprayer, when checking or servicing any part of the spray system, when installing, cleaning or changing spray tips, and whenever you stop spraying.

1. Engage the gun safety latch.
2. Turn the ON/OFF switch to OFF.
3. Unplug the power supply cord.

4. Disengage the gun safety latch. Hold a metal part of the gun firmly to the side of a grounded metal pail, and trigger the gun to relieve pressure.
5. Engage the gun safety latch.
6. Open the pressure drain valve, having a container ready to catch the drainage. Leave the valve open until you are ready to spray again.

If you suspect that the spray tip or hose is completely clogged, or that pressure has not been fully relieved after following the steps above, wrap a rag around the tip guard retaining nut or hose end coupling and VERY SLOWLY loosen the part to relieve pressure gradually, then loosen completely. Now clear the tip or hose.



MOVING PARTS HAZARD

Moving parts can pinch or amputate your fingers or other body parts. **KEEP CLEAR** of moving parts when starting or operating the sprayer. Follow the **Pressure Relief Procedure** on page 4 before checking or servicing any part of the sprayer, to prevent it from starting accidentally.

EQUIPMENT MISUSE HAZARD

General Safety

Any misuse of the spray equipment or accessories, such as overpressurizing, modifying parts, using incompatible chemicals and fluids, or using worn or damaged parts, can cause them to rupture and result in fluid injection, splashing in the eyes or on the skin, or other serious bodily injury, or fire, explosion or property damage.

NEVER alter or modify any part of this equipment; doing so could cause it to malfunction.

CHECK all spray equipment regularly and repair or replace worn or damaged parts immediately.

Always wear protective eyewear, gloves, clothing and respirator as recommended by the fluid and solvent manufacturer.

System Pressure

This sprayer can develop **3000 psi (210 bar) MAXIMUM WORKING PRESSURE**. Be sure that all spray equipment and accessories used are rated to withstand this pressure. **DO NOT** exceed the maximum working pressure of any component or accessory used in the system.

Fluid and Solvent Compatibility

BE SURE that all fluids and solvents used are chemically compatible with the wetted parts shown in the **TECHNICAL DATA** on page 47. Always read the fluid and solvent manufacturer's literature before using them in this sprayer.

FIRE OR EXPLOSION HAZARD

Static electricity is created by the flow of fluid through the pump and hose. If every part of the spray equipment is not properly grounded, sparking may occur, and the system may become hazardous. Sparking may also occur when plugging in or unplugging a power supply cord or using a gasoline engine. Sparks can ignite fumes from solvents and the fluid being sprayed, dust particles and other flammable substances, whether you are spraying indoors or outdoors, and can cause a fire or explosion and serious bodily injury and property damage.

If you experience any static sparking or even a slight shock while using this equipment, **STOP SPRAYING IMMEDIATELY**. Check the entire system for proper grounding. Do not use the system again until the problem has been identified and corrected.

Grounding

To reduce the risk of static sparking, ground the sprayer and all other spray equipment used or located in the spray area. **CHECK** your local electrical code for detailed grounding instructions for your area and type of equipment. **BE SURE** to ground all of this spray equipment:

1. *Sprayer*: connect a ground wire and clamp (supplied) to a true earth ground.

HOSE SAFETY

High pressure fluid in the hoses can be very dangerous. If the hose develops a leak, split or rupture due to any kind of wear, damage or misuse, the high pressure spray emitted from it can cause a fluid injection injury or other serious bodily injury or property damage.

ALL FLUID HOSES MUST HAVE SPRING GUARDS ON BOTH ENDS! The spring guards help protect the hose from kinks or bends at or close to the coupling which can result in hose rupture.

TIGHTEN all fluid connections securely before each use. High pressure fluid can dislodge a loose coupling or allow high pressure spray to be emitted from the coupling.

NEVER use a damaged hose. Before each use, check the entire hose for cuts, leaks, abrasion, bulging cover, or damage or movement of the hose couplings. If any of these conditions exist, replace the hose immediately. **DO NOT** try to recouple high pressure hose or mend it with tape or any other device. A repaired hose cannot contain the high pressure fluid.

HANDLE AND ROUTE HOSES CAREFULLY. Do not pull on hoses to move equipment. Keep hoses clear of moving parts and hot surfaces of the pump and gas engine. Do not use fluids or solvents which are not compatible with the inner tube and cover of the hose. **DO NOT** expose Graco hose to temperatures above 180° F (82° C) or below -40° F (-40° C).

Hose Grounding Continuity

Proper hose grounding continuity is essential to maintaining a grounded spray system. Check the electrical resistance of your fluid hoses at least once a week. If your hose does not have a tag on it which specifies the maximum electrical resistance, contact the hose supplier or manufacturer for the maximum resistance limits. Use a resistance meter in the appropriate range for your hose to check the resistance. If the resistance exceeds the recommended limits, replace it immediately. An ungrounded or poorly grounded hose can make your system hazardous. Also read **FIRE OR EXPLOSION HAZARD**.

2. *Fluid hoses*: use only grounded hoses with a maximum of 500 ft (150 m) combined hose length to ensure grounding continuity. See **Hose Grounding Continuity**.
3. *Spray gun*: obtain grounding through connection to a properly grounded fluid hose and sprayer.
4. *Object being sprayed*: according to local code.
5. *Fluid supply container*: according to local code.
6. *All solvent pails used when flushing*, according to local code. Use only metal pails, which are conductive. Do not place the pail on a non-conductive surface, such as paper or cardboard, which interrupts the grounding continuity.
7. *To maintain grounding continuity when flushing or relieving pressure*, always hold a metal part of the gun firmly to the side of a grounded metal pail, then trigger the gun.

Flushing Safety

Reduce the risk of fluid injection injury, static sparking, or splashing by following the flushing procedure given on page 14 of this manual. Follow the **Pressure Relief Procedure** on page 4, and remove the spray tip before flushing. Hold a metal part of the gun firmly to the side of a grounded metal pail and use the lowest possible fluid pressure during flushing.

IMPORTANT

United States Government safety standards have been adopted under the Occupational Safety and Health Act. These standards – particularly the General Standards, Part 1910, and the Construction Standards, Part 1926 – should be consulted.

AVERTISSEMENT

**La pulvérisation à haute pression peut causer des blessures très graves.
Réservé exclusivement à l'usage professionnel. Observer toutes les consignes de sécurité.
Bien lire et bien comprendre tous les manuels d'instructions avant d'utiliser le matériel.**

RISQUES D'INJECTION

Consignes générales de sécurité

Cet appareil produit un fluide à très haute pression. Le fluide pulvérisé par le pistolet ou le fluide sous pression provenant de fuites ou de ruptures peut pénétrer sous la peau ou à l'intérieur du corps et entraîner des blessures très graves, voir même une amputation. Même sans être sous pression, le fluide éclaboussant ou entrant dans les yeux peut aussi entraîner des blessures graves.

NE JAMAIS pointer le pistolet vers quelqu'un ou vers une partie quelconque du corps. NE JAMAIS mettre la main ou les doigts sur l'ajutage du pulvérisateur. NE JAMAIS essayer de "refouler" la peinture. Cet appareil n'est PAS un compresseur pneumatique.

TOUJOURS garder la protection de l'ajutage en place sur le pistolet pendant la pulvérisation.

TOUJOURS observer la **Marche à Suivre pour Détendre la Pression** donnée plus loin, avant de nettoyer ou d'enlever l'ajutage du pulvérisateur, ou d'effectuer un travail quelconque sur une partie de l'appareil.

NE JAMAIS essayer d'arrêter ou de dévier les fuites avec la main ou le corps.

Avant chaque utilisation, bien s'assurer que les dispositifs de sécurité fonctionnent correctement.

Soins médicaux

En cas de pénétration de fluide sous la peau: **DEMANDER IMMEDIATEMENT DES SOINS MEDICAUX D'URGENCE. NE PAS SOIGNER CETTE BLESSURE COMME UNE SIMPLE COUPURE.**

Avis au medecin: La pénétration des fluides sous la peau est un traumatisme. **Il est important de traiter chirurgicalement cette blessure immédiatement.** Ne pas retarder le traitement pour effectuer des recherches sur la toxicité. Certains revêtements exotiques sont dangereusement toxiques quand ils sont injectés directement dans le sang. Il est souhaitable de consulter un chirurgien esthétique ou un chirurgien spécialisé dans la reconstruction des mains.

Dispositifs de sécurité du pistolet

Avant chaque utilisation, bien s'assurer que tous les dispositifs de sécurité du pistolet fonctionnent correctement. Ne pas enlever ni modifier une partie quelconque du pistolet; ceci risquerait d'entraîner un mauvais fonctionnement et des blessures graves.

Verrou de sécurité

A chaque fois que l'on s'arrête de pulvériser, même s'il s'agit d'un court instant, toujours mettre le verrou de sécurité du pistolet sur la position "fermée" ou "sécurité" ("safe") pour empêcher le pistolet de fonctionner. Si le verrou de sécurité n'est pas mis, le pistolet peut se déclencher accidentellement. Voir la Fig. 1, ci-dessus.

Diffuser

Le diffuseur du pistolet sert à diviser le jet et à réduire les risques d'injection accidentelle quand l'ajutage n'est pas en place. Vérifier le fonctionnement du diffuseur régulièrement. Pour cette vérification, détendre la pression en observant la **Marche à Suivre pour Détendre la Pression** donnée plus loin puis enlever l'ajutage du pulvérisateur. Pointer le pistolet dans un seau en métal, en le maintenant fermement contre le seau. Puis, en utilisant la pression la plus faible possible, appuyer sur la gachette du pistolet. Si le fluide projette *n'est pas* diffusé sous forme de jet irrégulier, remplacer immédiatement le diffuseur.

Protection de l'ajutage

TOUJOURS maintenir la protection de l'ajutage en place sur le pistolet du pulvérisateur pendant la pulvérisation. La protection de l'ajutage attire l'attention sur les risques d'injection et contribue à réduire, mais n'évite pas le risque, que les doigts ou une partie quelconque du corps ne passent accidentellement à proximité immédiate de l'ajutage du pulvérisateur.

Consignes de sécurité concernant l'ajutage du pulvérisateur

Faire extrêmement attention à l'occasion du nettoyage ou du remplacement des ajutages du pulvérisateur. Si l'ajutage se bouche pendant la pulvérisation, mettre immédiatement le verrou de sécurité du pistolet. TOUJOURS bien observer la **Marche à Suivre pour Détendre la Pression** puis enlever l'ajutage du pulvérisateur pour le nettoyer.

NE JAMAIS essayer ce qui s'est accumulé autour de l'ajutage du pulvérisateur avant que la pression ne soit complètement tombée et que le verrou de sécurité du pistolet ne soit engagé.

Marche à Suivre pour Détendre la Pression

Pour réduire les risques de blessures graves, y compris les blessures par injection de fluide ou celles causées par des éclaboussures dans les yeux ou sur la peau, des pièces en mouvement ou par électrocution, toujours bien observer cette marche à suivre à chaque fois que l'on arrête le pulvérisateur, à l'occasion de la vérification, du réglage ou du nettoyage du système ou lors du changement des ajutages.

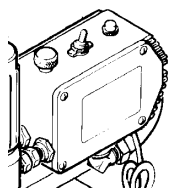
1. Engager le verrou de sécurité du pistolet.
2. Basculer l'interrupteur de commande de pression sur ARRÊT (OFF).
3. Débrancher le cordon d'alimentation.

4. Désengager le verrou de sécurité du pistolet. Tout en maintenant une partie métallique du pistolet fermement appuyée contre le côté d'un seau en métal, actionner le pistolet pour libérer la pression.
5. Engager le verrou de sécurité du pistolet.
6. Ouvrir la soupape de sécurité et la laisser ouverte jusqu'à ce que l'on soit prêt à se servir de nouveau du pulvérisateur. Débrancher le fil de la bougie.

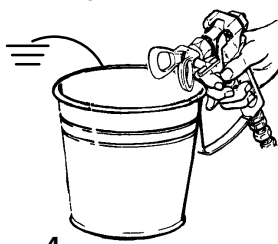
Si l'on soupçonne que le tuyau ou l'ajutage du est complètement bouché, ou que la pression n'a pas été complètement libérée après avoir procédé aux opérations ci-dessus, desserrer très LENTEMENT un raccord du bout du tuyau ou l'écrou de retenue de la protection de l'ajutage et libérer progressivement la pression.



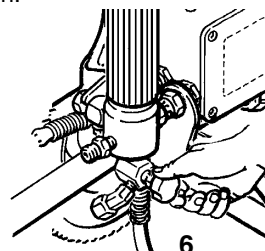
1



2



4



6

RISQUES EN CAS DE MAUVAISE UTILISATION DU MATERIEL

Consignes générales de sécurité

Toute utilisation anormale de l'appareil de pulvérisation ou des accessoires comme, par exemple, la mise sous une pression excessive, les modifications de pièces, l'utilisation de produits chimiques et de matières incompatibles et l'utilisation de pièces usées ou abîmées peut causer des dégâts à l'appareil ou des ruptures de pièces et entraîner une injection de liquide ou d'autres blessures sérieuses, un incendie, une explosion ou d'autres dégâts.

NE JAMAIS alterer ou modifier une pièce de cet appareil; ceci risquerait d'entraîner son mauvais fonctionnement.

Vérifier régulièrement tout l'appareil de pulvérisation et ses équipements et réparer ou remplacer immédiatement les pièces usées ou abîmées.

MESURES DE SÉCURITÉ CONCERNANT LES TUYAUX FLEXIBLES

Le fluide à haute pression circulant dans les tuyaux peut être très dangereux. En cas de fuite sur le tuyau, de fissure, déchirure ou rupture à la suite de l'usure, de dégâts ou d'une mauvaise utilisation, les projections de fluide haute pression qui en proviennent peuvent entraîner des blessures graves par pénétration sous la peau ou par contact, ainsi que des dégâts matériels.

TOUS LES TUYAUX FLEXIBLES DOIVENT AVOIR DES RESORTS SPIRALE DE PROTECTION AUX BOUTS! Les spirales de protection contribuent à éviter la formation de pliures, de boucles ou de nœuds sur les tuyaux qui pourraient entraîner la rupture du tuyau à l'endroit du raccord ou à son voisinage.

SERRER FERMEMENT tous les raccords avant chaque utilisation. Le fluide sous pression peut faire sauter un raccord desserré ou produire un jet à haute pression s'échappant par le raccord.

NE JAMAIS utiliser un tuyau endommagé. NE PAS essayer de refaire le raccord d'un tuyau haute pression ni de réparer le tuyau avec du ruban adhésif ou par tout autre moyen. Un tuyau réparé ne peut pas résister au fluide sous pression.

RISQUES D'INCENDIE OU D'EXPLOSION

De l'électricité statique est produite par le passage du fluide à grande vitesse dans la pompe et dans les tuyaux. Si toutes les pièces de l'appareil de pulvérisation ne sont pas convenablement reliées à la masse ou à la terre, des étincelles peuvent se produire et l'appareil risquerait d'être dangereux. Des étincelles peuvent également se produire à l'occasion du branchement ou du débranchement du cordon d'alimentation. Les étincelles sont suffisantes pour allumer les vapeurs de solvants et le fluide pulvérisé, les fines particules de poussière ainsi que d'autres substances inflammables, quand on pulvérise à l'intérieur ou à l'extérieur, et elles peuvent causer un incendie ou une explosion, ainsi que des blessures graves et des dégâts matériels. Toujours brancher le pulvérisateur dans une prise se trouvant à au moins 6 m (20 pieds) de l'appareil et de l'endroit où se fait la pulvérisation. Ne pas brancher ou débrancher un cordon d'alimentation quel qu'il soit dans la zone où se fait la pulvérisation quand il y a le moindre risque que des vapeurs encore présentes dans l'air prennent feu.

S'il se produit des étincelles d'électricité statique, ou si vous ressentez la moindre décharge, ARRÊTEZ IMMÉDIATEMENT LA PULVÉRISATION. Vérifiez que le système entier est bien mis à la terre. Ne vous servez pas du système avant que le problème soit identifié et corrigé.

Mise à la terre ou à la masse

Pour réduire les risques de production d'étincelles d'électricité statique, le pulvérisateur et tous les équipements utilisés ou se trouvant dans la zone de pulvérisation doivent être reliés à la terre ou à la masse. Pour connaître le détail des instructions de mise à la terre dans la région et le type particulier d'équipement, CONSULTER le code ou les réglementations électriques locales. S'ASSURER que tous les équipements de pulvérisation suivants sont bien reliés à la terre:

1. *Pulvérisateur*: Brancher le cordon d'alimentation ou la rallonge qui doivent être équipés d'une prise à 3 fiches en bon état, dans une prise de courant convenablement mise à la terre. Ne pas utiliser d'adaptateur. Toutes les rallonges doivent avoir 3 fils et être prévues pour 15 ampères.

Pression

Ce pulvérisateur peut produire une **PRESSION MAXIMUM DE TRAVAIL** 210 bar (3000 lb/po2). S'assurer que tous les éléments du pulvérisateur et ses accessoires sont conçus pour résister à la pression maximum de travail de ce pulvérisateur. NE PAS dépasser la pression maximum de travail d'aucun des éléments ou accessoires utilisés avec cet appareil.

Compatibilité chimique des corps

BIEN S'ASSURER que tous les corps des solvants utilisés sont chimiquement compatibles avec les parties mouillées indiquées dans les **Technical Data**, à page 47. Toujours lire soigneusement les documents et brochures du fabricant des fluides et solvants utilisés avant de s'en servir dans ce pulvérisateur.

MANIPULER LES TUYAUX AVEC PRECAUTION ET CHOISIR SOIGNEUSEMENT LEUR CHEMIN. Ne pas déplacer le fluide en tirant sur le tuyau. Ne pas utiliser de fluides ou de solvants qui ne sont pas compatibles avec l'enveloppe intérieure ou extérieure du tuyau. NE PAS exposer le tuyau à des températures supérieures à 82° C (180° F) ou inférieures à -40° C (-40° F).

Continuité de la mise à la terre des tuyaux

Une bonne continuité de la mise à la terre des tuyaux est essentielle pour maintenir la mise à la terre de l'ensemble de vaporisation. Vérifiez la résistance électrique de vos tuyaux à fluides et à air, au moins une fois par semaine. Si votre tuyau ne comporte pas d'étiquette qui précise la résistance électrique maximum, prenez contact avec le fournisseur de tuyaux ou la fabricant pour avoir les limites de résistance maximum. Utilisez un mètre de résistance de la gamme appropriée pour votre tuyau et vérifiez la résistance. Si celle-ci dépasse les limites recommandées, remplacez le tuyau immédiatement. Un tuyau sans mise à la terre ou avec une mise à la terre incorrecte peut entraîner des risques pour votre système. Lisez aussi **LES RISQUES D'INCENDIE OU D'EXPLOSION** ci-dessus.

2. *Tuyaux flexibles*: Afin d'assurer la continuité de la mise à la terre, n'utiliser que des tuyaux comportant une mise à la terre et ayant une longueur maximum combinée de 150 m (1500 pieds). Se reporter également au paragraphe **Continuité du circuit de mise à la terre des tuyaux**.
3. *Pistolet*: Réaliser la mise à la terre en le raccordant à un tuyau flexible et à un pulvérisateur déjà convenablement reliés à la terre.
4. *Réceptacle d'alimentation*: observer le code ou les réglementations locales.
5. *Objets, matériel ou surfaces recevant la pulvérisation*: observer le code ou les réglementations locales.
6. *Tous les seaux de solvants* utilisés pour le rinçage: observer le code ou les réglementations locales. N'utiliser que des seaux métalliques conducteurs de l'électricité. Ne pas mettre le seau sur une surface non conductrice comme sur du papier ou du carton car cela interromprait la continuité de la mise à la terre.
7. *Pour conserver la continuité de la mise à la terre quand on rince le matériel ou quand on libère la pression*, toujours maintenir une partie métallique du pistolet fermement appuyée contre le côté d'un seau en métal puis appuyer sur la détente du pistolet.

Mesures de sécurité concernant le Rinçage

Pour réduire les risques de blessures par pénétration de la peau et les risques dus aux étincelles d'électricité statique ou aux éclaboussures, observer la marche à suivre pour le rinçage donnée à la page 14 de ce manuel. Observer la "Marche à Suivre pour Détendre la Pression" donnée à la page 6 en *enlever l'ajutage du pulvérisateur avant le rinçage*. Maintenir une partie métallique du pistolet fermement appuyée contre le côté d'un seau en métal et utiliser la pression la plus faible possible pendant le rinçage.

ADVERTENCIA

EL ROCIADO a ALTA PRESIÓN PUEDE CAUSAR GRAVES LESIONES. SOLO PARA USO PROFESIONAL. RESPETE LOS AVISOS DE ADVERTENCIA.

Lea y entienda todo el manual de instrucciones antes de manejar el equipo.

PELIGRO DE INYECCIÓN DE FLUIDO

Seguridad general

Este equipo genera un fluido a una presión muy alta. El rociado de la pistola, los escapes de fluido o roturas de los componentes pueden inyectar fluido en la piel y el cuerpo y causar lesiones extremadamente graves, incluyendo a veces la necesidad de amputación. También, el fluido inyectado o salpicado en los ojos puede causar graves daños.

NUNCA apuntar la pistola hacia alguien o alguna parte del cuerpo. NUNCA colocar la mano o los dedos encima de la boquilla. NUNCA tratar de "hacer retornar la pintura"; este NO es un sistema de rociado de aire.

SIEMPRE tener colocado el protector de la boquilla en la pistola mientras se está pulverizando.

SIEMPRE seguir el procedimiento de descarga de presión, dado más abajo, antes de limpiar o sacar la boquilla o de dar servicio a cualquier equipo del sistema.

NUNCA tratar de parar o desviar los escapes con la mano o el cuerpo.

Asegurar que todos los aparatos de seguridad del equipo están funcionando bien antes de cada uso.

Tratamiento médico

Si pareciera que un poco de fluido penetró la piel, conseguir **TRATAMIENTO médico DE URGENCIA DE INMEDIATO. NO TRATAR LA HERIDA COMO UN SIMPLE CORTE.** Decir al médico exactamente cual fluido fue.

Aviso al médico: Si se llega a inyectar este fluido en la piel se causa una lesión traumática. **Es importante tratar quirúrgicamente la lesión a la brevedad posible.** No demorar el tratamiento para investigar la toxicidad. La toxicidad es algo de suma importancia en algunas pinturas exóticas cuando se inyectan directamente al torrente sanguíneo. Será conveniente consultar a un especialista en cirugía plástica o reconstructiva de las manos.

Aparatos de seguridad de la pistola pulverizadora

Asegurar que todos los aparatos protectores de la pistola están funcionando bien antes de cada uso. No sacar ni modificar ninguna pieza de la pistola pues podría causar el malfuncionamiento de la misma con las consiguientes lesiones personales.

Pestillo de seguridad

Cada vez que se deje de pulverizar, aunque sea por un breve momento, siempre colocar el pestillo de seguridad en la posición "cerrada" lo que deja la pistola inoperante. El no hacerlo puede llevar al disparo imprevisto de la pistola.

Difusor

El difusor de la pistola dispersa el chorro pulverizado y reduce el riesgo de inyección cuando no está instalada la boquilla.

Revisar con regularidad el funcionamiento del difusor. Seguir el **procedimiento de descarga de presión**, dado más abajo, y después sacar la boquilla. Apuntar la pistola a un balde metálico, sosteniéndola bien firme contra el. Utilizando la presión más bajo posible, disparar la pistola. Si el fluido emitido no sale disperso en un chorro irregular, reemplazar de inmediato el difusor.

Protector de la boquilla

SIEMPRE tener el protector de la boquilla colocado en la pistola mientras se está pulverizando. Este protector llama la atención contra el peligro de inyección y ayuda a reducir, pero no evita, la colocación accidental de los dedos o cualquier otra parte del cuerpo cerca de la boquilla.

Seguridad de la boquilla pulverizadora

Tener mucho cuidado al limpiar o cambiar las boquillas. Si llega a obstruirse mientras está pulverizando, enganchar el pestillo de la pistola de inmediato. SIEMPRE seguir el **procedimiento de descarga de presión** y después sacar la boquilla para limpiarla.

NUNCA limpiar la acumulación de pintura alrededor de la boquilla antes de que se haya descargado por completo la presión y el pestillo este enganchado.

Procedimiento de descarga de presión

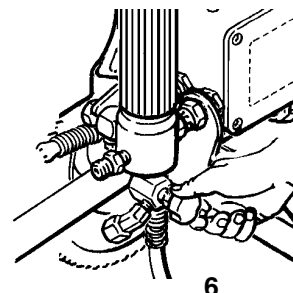
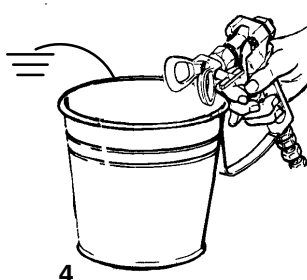
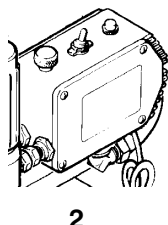
Para reducir el riesgo de sufrir graves lesiones corporales, incluyendo inyección o lesiones causadas por piezas en movimiento o choque eléctrico, siempre seguir este procedimiento al apagar la máquina pulverizadora, al revisar o dar servicio a cualquier parte del sistema de pulverización, al instalar, limpiar o cambiar las boquillas, y cada vez que se deja de pulverizar.

1. Enganchar el pestillo de la pistola.
2. Mover el interruptor eléctrico (ON/OFF) a la posición OFF (apagado).
3. Desenchufar el cordón eléctrico.
4. Desenganchar el pestillo de la pistola. Sujetar una parte metálica de la pistola bien firme contra un balde de metal, y disparar la pistola para descargar la presión.

5. Enganchar el pestillo de la pistola.

6. Abrir la válvula de presión y tener listo un recipiente para recibir la pintura. Dejar la válvula de alivio de presión abierta hasta que se este nuevamente listo para pulverizar.

Si se sospecha que la boquilla o la manguera está completamente obstruida, o que no se ha descargado por completo la presión después de haber seguido el procedimiento anterior, aflojar MUY LENTAMENTE la tuerca de retención del protector de la boquilla o acoplamiento de la punta de la manguera y descargar gradualmente la presión, después, aflojarlo por completo. Luego, despejar la boquilla o la manguera.



PELIGRO POR MAL USO DEL EQUIPO

Seguridad general

Cualquier mal uso del equipo pulverizador o los accesorios, tal como sobre presurización, modificación de piezas, uso de materiales y productos químicos incompatibles, o utilización de piezas dañadas o desgastadas, pueden hacer que se rompan y causen la inyección de fluido u otras lesiones corporales graves, incendio, explosión o daño a la propiedad.

NUNCA alterar o modificar ninguna pieza de este equipo; el hacerlo podría causar una avería.

REVISAR con regularidad el equipo pulverizador y reparar o reemplazar de inmediato las piezas dañadas o desgastadas.

SEGURIDAD EN EL USO DE LAS MANGUERAS

El fluido que escapa a alta presión por las mangueras puede ser muy peligroso. Si en la manguera se desarrolla un escape, una rotura o rajadura debido a cualquier tipo de desgaste, daño o maltrato, el chorro a alta presión emitido por allí puede causar una lesión por inyección u otras lesiones corporales graves o daños a la propiedad.

¡TODAS LAS MANGUERAS PARA FLUIDOS TIENEN QUE TENER GUARDAS DE RESORTE EN AMBOS EXTREMOS!

Estas protegen las mangueras contra dobleces o retorceduras en los acoplamientos o cerca de ellos, los que podrían traducirse en roturas de la manguera.

Antes de usarlas, APRETAR bien firmes todas las conexiones. El fluido a alta presión puede desalojar un acoplamiento suelto o dejar que por el escape un chorro a alta presión.

NUNCA usar una manguera que está dañada. Siempre, revisarla en busca de cortaduras, escapes, abrasión, cubierta abultada, o acoplamientos sueltos o dañados. Si llegara a encontrarse cualquiera de estas condiciones, reemplazar de inmediato la manguera. NO intentar racoplar una manguera de alta presión o enmendarla con cinta adhesiva u otro material similar. Una manguera que ha sido remendada no aguante el fluido a alta presión.

PELIGRO DE INCENDIO O EXPLOSION

El flujo a alta velocidad del fluido al pasar por la bomba y manguera crea electricidad estática. Si todas las partes del equipo pulverizador no tienen buena tierra, pueden ocurrir chispas, convirtiéndose al sistema en algo peligroso. También, pueden producirse chispas al enchufar o desenchufar el cordón eléctrico o al usar un motor de gasolina. Estas chispas pueden inflamar los vapores de los solventes y el chorro de fluido pulverizado, partículas de polvo y otras sustancias inflamables, sea al aire libre o bajo techo, lo que podría causar una explosión o incendio y graves lesiones corporales y daños a la propiedad. Enchufar siempre la pulverizadora a un tomacorriente que se encuentre a por lo menos 6 m (20 pies) de la máquina y del área que se va a rociar. No enchufar o desenchufar ningún cordón eléctrico en el lugar donde se está rociando cuando todavía exista la posibilidad de que queden vapores inflamables en el aire.

Si ocurre una chispa de electricidad estática o incluso un ligero choque eléctrico mientras se usa el equipo, DEJAR DE PULVERIZAR DE INMEDIATO. Revisar todo el sistema en busca de una tierra apropiada. No usar de nuevo el sistema hasta haber identificado y solucionado el problema.

Peusta a tierra

Para reducir el riesgo de chispas estáticas, conectar a tierra la pulverizadora y todo el otro equipo de pulverizar que se use o se encuentre en el lugar que se va a rociar. CONSULTAR el código eléctrico de la localidad para las instrucciones sobre las conexiones a tierra exigidas para la zona y tipo de equipo. ASEGURAR de conectar a tierra todo este equipo pulverizador:

1. *Pulverizadora:* enchufar el cordón eléctrico, o cable extensor, cada uno en un enchuf de tres patas en buen estado, a un tomacorriente con puesta a tierra apropiado. No usar un adaptador. Todos los cables extensores tienen que tener tres hilos y una capacidad de 15 amperios.

Presión del sistema

está pulverizadora puede desarrollar 210 barías (3000 psi) de presión DE TRABAJO MÁXIMA. Asegurar que todo el equipo pulverizador y sus accesorios tienen la capacidad para aguantar la presión máxima de trabajo de esta pulverizadora. NO exceder la presión máxima de trabajo de ningún componente o accesorio de este sistema.

Compatibilidad de fluido

Siempre leer las instrucciones del fabricante del fluido y solvente antes de usarlos en esta pulverizadora, dadas en la página 47.

Siempre usar gafas, guantes, vestimentas protectora y un respiradero, tal como recomiendan los fabricantes del fluido y del solvente.

MANEJAR Y PASAR CUIDADOSAMENTE LAS MANGUERAS. No tirar de las mangueras para mover el equipo. No usar fluidos o solventes que sean incompatibles con el tubo interno y la cubierta de la manguera. NO exponer las mangueras a temperaturas sobre 82° C (180° F) o bajo -40° C (-40° F).

Continuidad del circuito de puesta a tierra de la manguera

La continuidad del circuito de puesta a tierra apropiado es esencial para mantener conectado a tierra el sistema pulverizador. Es indispensable revisar la resistencia eléctrica máxima de las mangueras de aire y de fluido por lo menos una vez a la semana. Si la manguera no tiene una etiqueta en la cual se especifica la resistencia eléctrica, ponerse en contacto con el proveedor o fabricante de la manguera para la información sobre los límites de resistencia. Usar un metro de resistencia en la gama apropiada para comprobar la resistencia; si excede los límites recomendados, reemplazarla de inmediato. Es muy arriesgado tener una manguera sin puesta a tierra o con la puesta a tierra en malas condiciones. Leer también la información sobre **RIESGO DE INCENDIO O EXPLOSION**, más arriba.

2. *Mangueras para fluidos:* usar solamente mangueras con puesta a tierra de una longitud combinada de 150 m (500 pies), para asegurar buena continuidad a tierra. Referirse también al párrafo sobre **continuidad a tierra de la manguera**.
3. *Pistola:* hace la puesta a tierra conectándola a una manguera de fluido y pulverizadora bien conectadas a tierra.
4. *Suministrar un recipiente:* de acuerdo al código de la localidad.
5. *Objeto que se está rociando:* de conformidad con el código local.
6. *Todos los baldes de solvente* usados durante el lavado, de conformidad con el código local. Usar *solamente baldes de metal*, que sean conductivos. no colocar el balde en una superficie no conductiva, como papel o cartón, que interumpe la continuidad a tierra.
7. *Para mantener la continuidad a tierra durante el lavado o descarga de presión,* siempre apoyar una parte metálica de la pistola bien firme contra el costado del *balde de metal*, después apretar el gatillo.

Seguridad durante el lavado

Para reducir el riesgo de que se inyecte o salpique fluido en la piel, o que ocurra una descarga de electricidad estática, siempre seguir las INSTRUCCIONES PARA EL LAVADO, dadas en la página 14. Seguir el **procedimiento de descarga de presión** en la página 8, y quitar la *boquilla rociadora antes de lavar*. Apoyar una parte metálica de la pistola bien firme contra el costado de un *balde de metal* y usar la presión más baja posible de fluido durante el lavado.

SETUP

NOTE: Refer to Fig 10–1 for Steps 1 to 3.

- 1. Connect Hose and Gun.** Connect the gun, 3 ft. hose and 50 ft. hose. Remove the disposable cap from the outlet nipple. Screw the gun and hose assembly onto the nipple.

NOTE: Don't use thread sealant, and don't install the spray tip yet!

WARNING

If you supply your own hoses and spray gun, be sure the hoses are electrically conductive, that the gun has a tip guard, and that each part is rated for at least **3000 psi (210 bar) Working Pressure**. This is to reduce the risk of serious bodily injury caused by static sparking, fluid injection or over-pressurization and rupture of the hose or gun.

- 2. Two Gun Hookup.** Remove the plug from the 1/4 npsm(m) secondary hose outlet. Connect a hose and gun to the outlet. Use a 1/4 in. ID, 50 ft. long (minimum) main hose. For more flexible gun movement, install a 3/16 in. ID, 3 ft. hose between the main hose and the gun.

CAUTION

To avoid damaging the pressure control, which may result in poor equipment performance and component damage, follow these precautions:

1. Always use nylon spray hose at least 50 ft. long.
2. Never use a wire braid hose as it is too rigid to act as a pulsation dampener.
3. Never install any shutoff device between the filter and the main hose. *Refer to Fig 10–1.*
4. Always use the main filter outlet for one gun operation. Never plug this outlet.

- 3. Fill the Packing Nut/Wet-Cup.** Fill the packing nut/wet-cup 1/3 full with Graco Throat Seal Liquid (TSL), supplied.

- 4. Check the Electrical Service.**

- a. Be sure the electrical service is 120 V , 60 HzAC, 15 Amp (minimum) and that the outlet you use is properly grounded.
- b. Do not remove the third prong of the power supply cord, which is the grounding prong, and do not use an adapter.
- c. Use an extension cord which has 3 wires of a minimum 12 gauge size, a maximum of 150 ft. long and is rated for 15 amps. Longer lengths may affect sprayer performance.

- 5. Plug in the Sprayer .** Be sure the ON/OFF switch is OFF. Then plug the cord into a grounded electrical outlet at least 20 ft. away from the spray area.

WARNING

Proper electrical grounding is essential to reduce the risk of fire or explosion which can result in serious bodily injury and property damage. Refer to the warning section **FIRE OR EXPLOSION HAZARD** on page 5 for more detailed grounding instructions.

- 6. Flush the pump** to remove the lightweight oil which was left in to protect pump parts after factory testing. Refer to **FLUSHING GUIDELINES** on page 14 for the flushing procedure.
- 7. Prepare the paint** according to the manufacturer's recommendations.
 - a. Remove any skin that may have formed. Stir the paint to mix pigments.
 - b. Strain the paint through a fine nylon mesh bag (available at most paint dealers) to remove particles that could clog the filter or spray tip. This is probably the most important step toward trouble-free spray painting.

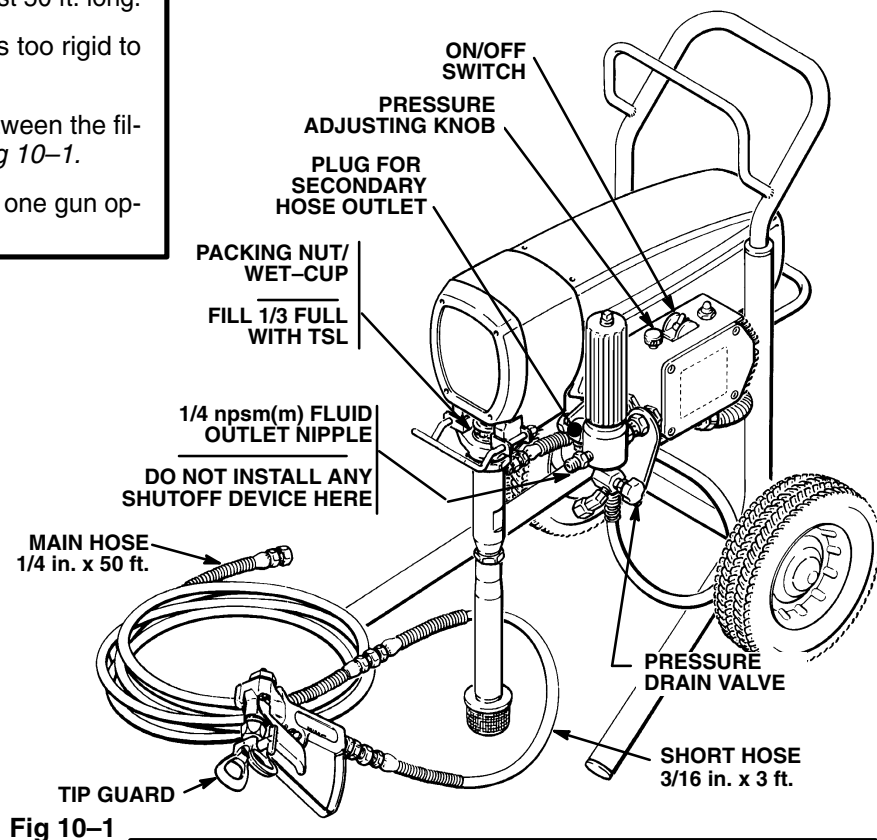


Fig 10–1

WARNING

Pressure Relief Procedure

To reduce the risk of serious bodily injury, including fluid injection, splashing fluid or solvent in the eyes or on the skin, or injury from moving parts or electric shock, always follow this procedure whenever you shut off the sprayer, when checking or servicing any part of the spray system, when installing, cleaning or changing spray tips, and whenever you stop spraying.

1. Engage the gun safety latch.
2. Turn the ON/OFF switch to OFF.
3. Unplug the sprayer.
4. Disengage the gun safety latch. Hold a metal part of the gun firmly to the side of a grounded metal pail, and trigger the gun to relieve pressure.
5. Engage the gun safety latch.
6. Open the pressure drain valve, having a container ready to catch the drainage. Leave the valve open until you are ready to spray again.

If you suspect that the spray tip or hose is completely clogged, or that pressure has not been fully relieved after following the steps above, wrap a rag around the tip guard retaining nut or hose end coupling and VERY SLOWLY loosen the part to relieve pressure gradually, then loosen completely. Now clear the tip or hose.

Startup

Use this procedure each time you start the sprayer to help ensure the sprayer is ready to operate and that you start it safely.

NOTE: For the first time startup, be sure to flush the sprayer first. Refer to page 14 for **FLUSHING GUIDELINES**.

1. **Close the pressure drain valve.** If you have not installed a secondary hose, be sure the adapter is securely plugged with the plug provided. *Refer to Fig 12-1.*
2. **Don't install the spray tip until the pump is primed!**
3. **Put the suction tube into the paint container.**
4. **Lower the pressure setting** by turning the pressure adjusting knob all the way counterclockwise. *Refer to Fig 12-1.*
5. **Disengage the gun safety latch.** *Refer to Fig 12-2.*

6. **To prime the pump**, hold a metal part of the gun firmly against and aimed into a metal waste container. *Refer to Fig 11-1.* Squeeze the trigger and hold it open, turn the ON/OFF switch to ON, and slowly increase the pressure setting until the sprayer starts. Keep the gun triggered until all air is forced out of the system and the paint flows freely from the gun. Release the trigger and engage the gun safety latch.

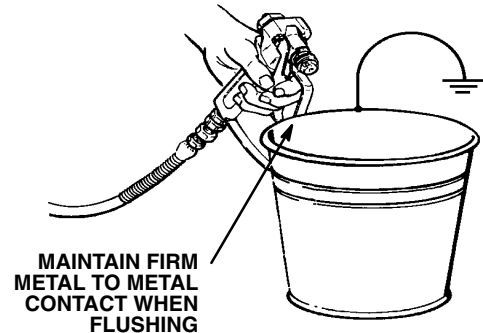


Fig 11-1

CAUTION

If the pump runs without fluid in it for more than 30 seconds, the displacement pump packings will be damaged. If the pump does not prime easily, follow the **NOTE** below.

NOTE: If the pump is hard to prime, place a container under the pressure drain valve and open it. When fluid comes from the valve, close it. Then disengage the gun safety latch and proceed as in Step 6, above.

7. **Check all fluid connections for leaks.** If any are found, follow the **Pressure Relief Procedure Warning**, to the left, before tightening connections.
8. **Install the Spray Tip and Tip Guard.** Be sure the gun safety latch is engaged. *Refer to Fig 12-2.* Install the spray tip. If you are using the RAC IV tip guard, refer to manual 307-848, supplied with the gun, for installation instructions.
9. **Adjust the Spray Pattern**
 - a. Increase the pressure adjusting knob setting just until spray from the gun is completely atomized. To avoid excessive overspray and fogging, and to decrease tip wear and extend the life of the sprayer, always use the lowest possible pressure needed to get the desired results.
 - b. If more coverage is needed, use a larger tip rather than increasing the pressure.
 - c. Test the spray pattern. To adjust the direction of the spray pattern, engage the gun safety latch and loosen the retaining nut. Position the tip guard horizontally for a horizontal pattern or vertically for a vertical pattern. Then tighten the retaining nut.

OPERATION

Cleaning a Clogged Tip

WARNING

To reduce the risk of serious bodily injury from from fluid injection;

NEVER operate the spray gun with the tip guard removed.

DO NOT hold your hand, body, or a rag in front of the spray tip when cleaning or checking a clogged tip. Always point the gun toward the ground or into a waste container when checking to see if the tip is clear.

DO NOT try to “blow back” paint; this is NOT an air spray sprayer.

1. Clean the front of the tip frequently during the day's operation. First, follow the **Pressure Relief Procedure Warning** on page 11.
2. If the spray tip does clog, release the gun trigger, engage the gun safety latch, and rotate the RAC IV handle 180°. Refer to Fig 12-2.
3. Disengage the gun safety latch and trigger the gun into a waste container. Engage the gun safety latch again.
4. Return the handle to the original position, disengage the gun safety latch, and resume spraying.
5. If the tip is still clogged, engage the gun safety latch, shut off and unplug the sprayer, and open the pressure drain valve to relieve pressure. Clean the spray tip as shown in manual 307-848, supplied with the RAC IV.

HANDLE SHOWN IN
SPRAYING POSITION.

TURN HANDLE 180°,
DISENGAGE SAFETY
LATCH AND TRIGGER
GUN TO CLEAR CLOG

GUN SAFETY
LATCH SHOWN
ENGAGED

PRESSURE
ADJUSTING KNOB
ROTATE CLOCKWISE TO IN-
CREASE PRESSURE

FLUID FILTER

SECONDARY HOSE PLUG

ON/OFF
SWITCH

SUCTION TUBE

PRESSURE
DRAIN VALVE

NEVER OPERATE THE GUN
WITH THE TIP GUARD REMOVED

Fig 12-2

Fig 12-1

WARNING

To reduce the risk of serious bodily injury, including fluid injection or splashing in the eyes or on the skin, or injury from moving parts, always follow the **Pressure Relief Procedure Warning** on page 14 before checking, adjusting, cleaning and shutting down the sprayer.

1. **Check the packing nut/wet-cup daily.** First follow the **Pressure Relief Procedure Warning** on page 14. Be sure the wet-cup is 1/3 full of TSL at all times to help prevent fluid buildup on the piston rod and premature wear of packings.
2. **Tighten the packing nut just enough to stop leakage.** Over tightening causes binding and excessive packing wear. Use a round punch or brass rod and light hammer to adjust the nut. *Refer to Fig 13-1.*
3. **Clean the fluid filter often** and whenever the sprayer is stored. First follow the **Pressure Relief Procedure Warning** on page 14. Refer to manual 307-273, supplied, for the cleaning procedure.
4. **Lubricate the bearing housing** after every 100 hours of operation. Remove the front cover. Fill the bearing housing cavity with SAE 10 non-detergent oil. Refer to Fig 13-2.
5. **Flush the sprayer at the end of each work day** and fill it with mineral spirits to help prevent pump corrosion and freezing. Refer to **FLUSHING GUIDELINES** on page 14.

CAUTION

To prevent pump corrosion, and to reduce the chance of fluid freezing in the pump or pressure control in cold weather, never leave water or any type of paint in the sprayer when it is not in use. Freezing can seriously damage the sprayer or result in a loss of pressure or stalling.

6. **For very short shutoff periods,** leave the suction tube in the paint, follow the **Pressure Relief Procedure Warning** on page 14, and clean the spray tip.
7. **Coil the hose and hang it on the hose rack** when storing it, even for overnight, to help protect the hose from kinking, abrasion, coupling damage, etc.

WARNING

Refer to the warning section, **HOSE SAFETY**, on page 5, for information on the hazard of using damaged hoses.

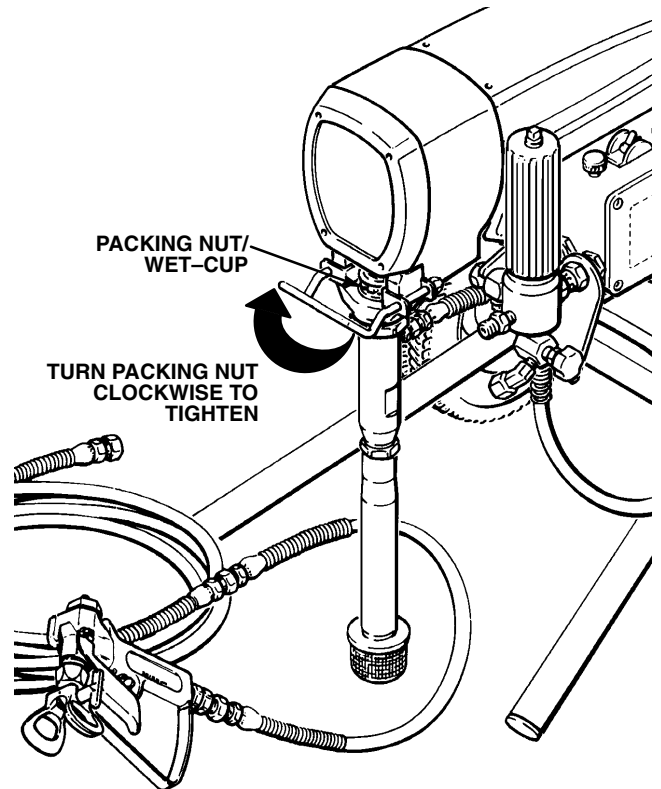


Fig 13-1

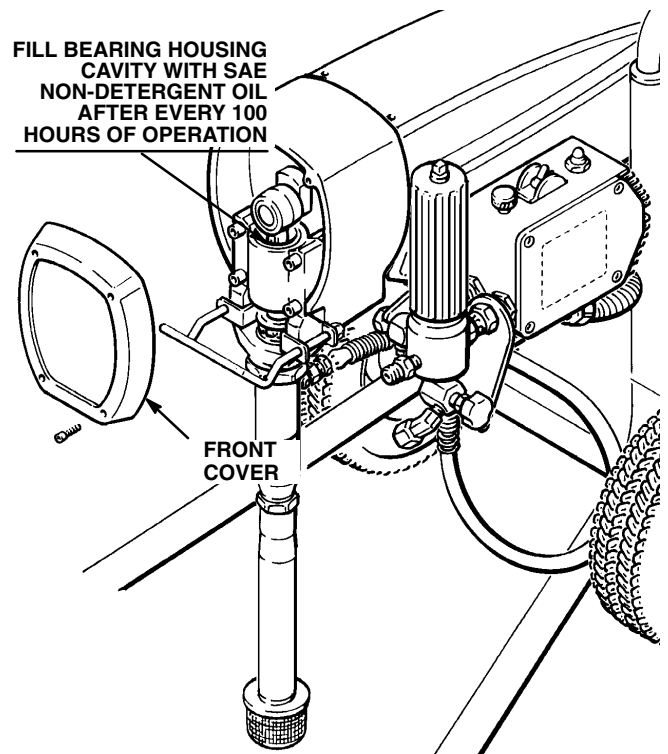


Fig 13-2

WARNING

Pressure Relief Procedure

To reduce the risk of serious bodily injury, including fluid injection, splashing fluid or solvent in the eyes or on the skin, or injury from moving parts or electric shock, always follow this procedure whenever you shut off the sprayer, when checking or servicing any part of the spray system, when installing, cleaning or changing spray tips, and whenever you stop spraying.

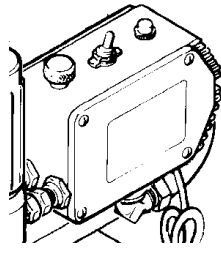
1. Engage the gun safety latch.
2. Turn the ON/OFF switch to OFF.
3. Unplug the power supply cord.

4. Disengage the gun safety latch. Hold a metal part of the gun firmly to the side of a grounded metal pail, and trigger the gun to relieve pressure.
5. Engage the gun safety latch.
6. Open the pressure drain valve, having a container ready to catch the drainage. Leave the valve open until you are ready to spray again.

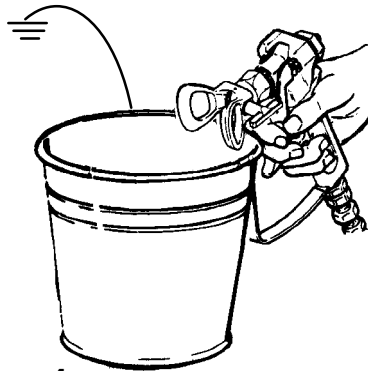
If you suspect that the spray tip or hose is completely clogged, or that pressure has not been fully relieved after following the steps above, wrap a rag around the tip guard retaining nut or hose end coupling and VERY SLOWLY loosen the part to relieve pressure gradually, then loosen completely. Now clear the tip or hose.



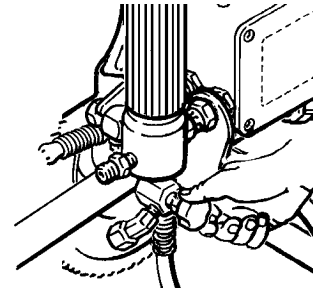
1,5



2



4



6

When to Flush

1. **New Sprayer.** Your new sprayer was factory tested in lightweight oil which was left in to protect pump parts.

Before using water-base paint, flush with mineral spirits followed by soapy water, and then a clean water flush.

Before using oil-base paint, flush with mineral spirits only.

2. **Changing Colors.** Flush with a compatible solvent such as mineral spirits or water.
3. **Changing from water-base to oil-base paint.** Flush with warm, soapy water, then mineral spirits.
4. **Changing from oil-base to water-base paint.** Flush with mineral spirits, followed by warm, soapy water, then a clean water flush.
5. **Storage.**

Water-base paint: flush with water, then mineral spirits and leave the pump, hose and gun filled with mineral spirits. Shut off the sprayer, open the pressure drain valve to relieve pressure and leave it open.

Oil-base paint: flush with mineral spirits. Shut off the sprayer, open the pressure drain valve to relieve pressure and leave it open.

CAUTION

NEVER leave water in the sprayer if there is the slightest chance it could freeze. Push the water out with mineral spirits. Water left to freeze in the pressure control tube prevents the sprayer from being started and causes serious damage to the pressure control.

6. **Startup after storage.**

Before using water-base paint, flush out mineral spirits with soapy water and then a clean water flush. When using oil-base paint, flush out the mineral spirits with the paint to be sprayed and the sprayer is ready to use.

FLUSHING GUIDELINES

How to Flush

1. Follow the **Pressure Relief Procedure Warning** on page 14.
2. If the sprayer has been used before, remove the filter bowl and screen; see manual 307-273, supplied. Clean the screen separately and install the bowl without the screen to flush it. Refer to Fig 15-1.

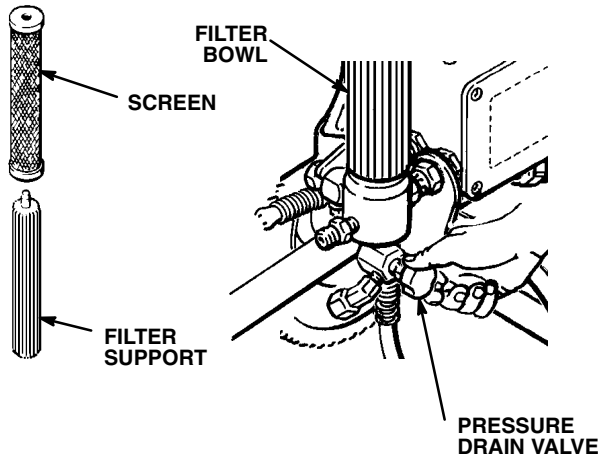


Fig 15-1

3. Close the pressure drain valve.
4. Pour one-half gallon (2 liters) of compatible solvent into a grounded metal pail. Put the suction tube in the pail.
5. Remove the spray tip from the gun, if it is installed.

WARNING

To reduce the risk of static sparking and splashing, always remove the spray tip from the gun, and hold a metal part of the gun firmly to the side of and aimed into a grounded metal pail when flushing.

6. Lower the pressure setting by turning the pressure adjusting knob all the way counterclockwise.

7. Hold a metal part of the gun firmly against and aimed into a metal waste container. Refer to Fig 15-2. Squeeze the trigger and hold it open, turn the ON/OFF switch to ON, and slowly increase the pressure setting until the sprayer starts. Keep the gun triggered until all air is forced out of the system and the solvent flows freely from the gun. Release the trigger and engage the gun safety latch. This procedure helps reduce the risk of static sparking and splashing.

NOTE: If the pump is hard to prime, place a container under the pressure drain valve and open it. When fluid comes from the valve, close it. Then disengage the gun safety latch and proceed as in Step 7, above.

8. Remove the suction tube from the pail. Disengage the gun safety latch and trigger the gun to force solvent from the hose. Do not let the pump run dry for more than 30 seconds to avoid damaging the pump packings! Then follow the **Pressure Relief Procedure Warning** on page 14.
9. Leave the pressure drain valve open until you are ready to use the sprayer again. If the screen was removed, unscrew the filter bowl and reinstall the clean screen. Reinstall the bowl, hand tight only.
10. If you flushed with mineral spirits and are going to use a water-base paint, flush with soapy water followed by a clean water flush. Then follow the **Pressure Relief Procedure Warning** on page 14.

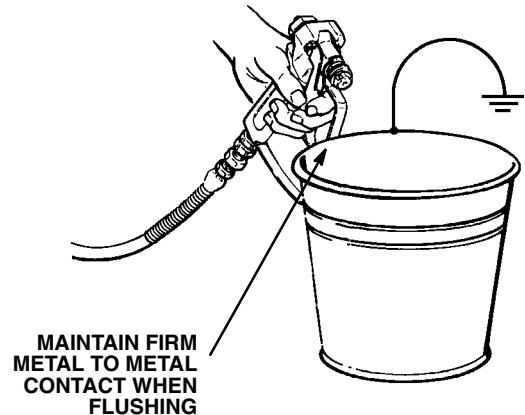


Fig 15-2

TROUBLESHOOTING GUIDE

WARNING

Pressure Relief Procedure

To reduce the risk of serious bodily injury, including fluid injection, injury from splashing fluid or solvent in the eyes or on the skin, moving parts or electric shock, always follow this procedure whenever you shut off the sprayer, when checking or servicing any part of the spray system, when installing, cleaning or changing spray tips, and whenever you stop spraying.

1. Engage the gun safety latch.
2. Turn the ON/OFF switch to OFF.
3. Unplug the power supply cord.
4. Disengage the gun safety latch. Hold a metal part of the gun firmly to a grounded metal pail. Trigger the gun to relieve pressure.

5. Engage the gun safety latch.
6. Open the pressure drain valve, having a container ready to catch the drainage. Leave the pressure drain valve open until you are ready to spray again.

If you suspect that the spray tip or hose is completely clogged, or that pressure has not been fully relieved after following the steps above, wrap a rag around the tip guard retaining nut or hose end coupling and VERY SLOWLY loosen the part to relieve pressure gradually, then loosen completely. Now clear the tip or hose obstruction.

Check everything in the guide before disassembling the sprayer.

MOTOR WON'T OPERATE

| TYPE OF PROBLEM | WHAT TO CHECK <i>If check is OK, go to next check</i> | WHAT TO DO <i>When check is not OK refer to this column</i> |
|-------------------------------|--|--|
| Basic Fluid Pressure Problems | 1. Check the pressure control knob setting. The motor will not run if it is at the minimum setting (fully counterclockwise). | 1. Slowly increase the pressure setting to see if the motor starts. |
| | 2. Check for a clogged spray tip. Refer to the separate gun or tip instruction manual. | 2. Relieve pressure, refer to the separate gun or tip instruction manual for tip cleaning. |
| Basic Mechanical Problems | 1. Check for frozen or hardened paint in the pump (76) and/or pressure control tube. Using a screwdriver, carefully try to rotate fan at back of motor by hand. See page 22. | 1. Thaw. Plug in sprayer and turn on. Slowly increase pressure setting to see if motor starts. If it doesn't, see NOTE 1, below. |
| | 2. Check displacement pump connecting rod pin (43). It must be completely pushed into connecting rod (68) and retaining spring (42) must be firmly in groove of connecting rod. See page 35. | 2. Push pin into place and secure with the spring retainer. |
| | 3. Check for motor damage. Remove drive housing assembly (67). See page 33. Try to rotate fan by hand. | 3. Replace motor (73) if fan won't turn. |
| Basic Electrical Problems | 1. Check sprayer circuit breaker (309) button to be sure it has not popped up. | 1. Depress button to reset. If circuit breaker continues to open, see 'Electrical Short' on page 22. |
| | 2. Check electrical supply with volt meter. Meter should read 105–125 VAC. | 2. Reset building circuit breaker; replace building fuse. Try another outlet. |
| | 3. Check extension cord for visible damage. Use a volt meter or test lamp at extension cord outlet to check. | 3. Replace extension cord. |
| | 4. Check sprayer power supply cord (31 1) for visible damage such as broken insulation or wires. | 4. Replace power supply cord. See page 26. |
| | 5. Check motor brush leads, terminals and brush length. Brush length should be 1/2" minimum. See page 25. | 5. Tighten terminal screws; replace brushes. See page 25. |

NOTE 1: Thaw the sprayer if water or water-based paint has frozen in it, due to exposure to low temperatures, by placing it in a warm area. Do not try to start the sprayer until it has thawed completely. If the bourdon tube was not damaged by the freezing, the pump should operate. If paint hardened (dried) in the sprayer, the pump packings and/or bare pressure control must be replaced. See page 37 (pump) or 29 (pressure control).

MOTOR WON'T OPERATE

| TYPE OF PROBLEM | WHAT TO CHECK <i>If check is OK, go to next check</i> | WHAT TO DO <i>When check is not OK refer to this column</i> |
|--|--|--|
| <p>Diagnosing circuit board indicator lamps. The normal condition is red lamp on, clear lamp on when board is telling pump to run.</p> <p>Follow Pressure Relief Procedure Warning. Remove gun from hose. Remove pressure control cover. Check for faulty condition of circuit board lamps.</p> <p>Condition A Both lamps on; pump won't operate and motor is not running</p> | 1. Check leads from bridge (308) to motor to be sure they are securely fastened and properly mated. | 1. Replace loose terminals; crimp to leads. Be sure male terminal blades are straight and firmly connected to mating part. |
| | 2. Check G1 and G2 connections between circuit board (23) and bridge (308) for damage or loose terminals. | 2. Clean circuit board male terminals. Replace loose or damaged terminals. Securely reconnect leads. |
| | 3. Check for loose motor brush lead connections and terminals. See page 25. | 3. Tighten terminal screws. Replace brushes if leads are damaged. See page 25. |
| | 4. Check brush length which should be 1/2" minimum. See page 25. | 4. Replace brushes. See page 25. |
| | 5. Check for broken or misaligned motor brush springs. Rolled portion of spring must rest squarely on top of brush. See page 25. | 5. Replace spring if broken. Realign spring with brush. See page 25. |
| | 6. Check motor brushes for binding in brush holders. See page 25. | 6. Clean brush holders. Remove carbon with small cleaning brush. Align brush leads with slot in brush holder to assure free vertical brush movement. |
| | 7. Check motor armature commutator for burn spots, gouges and extreme roughness. Remove motor cover and brush inspection plates to check. See page 25. | 7. Remove motor and have motor shop resurface commutator if possible. See page 34. |
| | 8. Check motor armature for shorts using armature tester (growler) or perform spin test. See page 22. | 8. Replace motor. See page 34. |
| | 9. Check bridge (308) by substituting with a good bridge or performing bridge test. See page 23. | 9. Replace bridge. See page 27. |
| <p>Condition B (continued) Both lamps off</p> <p><i>REFER TO THE WIRING DIAGRAM ON PAGE 18 TO IDENTIFY TP POINTS.</i></p> <p>NOTE: Connect the volt meter to the <u>terminal</u>, not the wire which you disconnect from the terminal.</p> | 1. Check circuit breaker (309) button to be sure it has not popped up. | 1. Depress button to reset. If circuit breaker or fuse continues to open, see "Electrical Short", page 22. |
| | 2. Check power supply cord (31 1). Disconnect TP6 female (neutral) and TP1 female and connect volt meter to these leads. Plug in sprayer. Meter should read 105 to 125 VAC. Unplug sprayer. Reconnect TP1. | 2. Replace power supply cord. See page 26. |
| | 3. Check ON/OFF switch (303). Disconnect TP2 and connect volt meter to TP6 female and TP2 male. Plug in sprayer and turn ON . Meter should read 105 to 125 VAC. Turn off and unplug sprayer. Reconnect TP2. | 3. Replace ON/OFF switch. See page 26. |
| | 4. Check jumper wire (306). Disconnect TP3 and connect volt meter to TP6 female and TP3 female. Plug in sprayer and turn on. Meter should read 105 to 125 VAC. Turn off and unplug sprayer. Reconnect TP3. | 4. Replace jumper wire. See page 28. |
| | 5. Check circuit breaker (309). Connect volt meter to TP6 female and TP4. Plug in sprayer and turn ON . Meter should read 105 to 125 VAC. Turn off and unplug sprayer. | 5. Replace circuit breaker. See page 27. |

MOTOR WON'T OPERATE

| TYPE OF PROBLEM | WHAT TO CHECK <i>If check is OK, go to next check</i> | WHAT TO DO <i>When check is not OK refer to this column</i> |
|---|--|--|
| <p>Condition B (continued) Both lamps off</p> <p>REFER TO THE WIRING DIAGRAM BELOW TO IDENTIFY TP POINTS.</p> | <p>6. Check motor thermal cutout switch. Connect volt meter to TP6 female and TP9 female. Plug in sprayer and turn on. Meter should read 105 to 125 VAC. Turn off and unplug sprayer.</p> | <p>6. Allow motor to cool. Correct cause of overheating. If switch remains open after motor cools, check continuity between TP9 female and TP10 with ohmmeter. If open, replace motor.</p> |
| | <p>7. Check microswitch (302). Reconnect TP6 connectors. Connect volt meter to TP15 male and TP4. Meter should read 50–125 VAC.</p> | <p>7. Clean microswitch male terminals. Replace loose or damaged terminals. Securely reconnect leads.</p> |
| | <p>8. Visually inspect microswitch (302) button. Adjustment stud should not depress button when fluid pressure is zero. Depress button with small screwdriver; audible click indicates microswitch is in normal position.</p> | <p>8. Microswitch is faulty. Return sprayer for repair.</p> |
| | <p>9. Check microswitch (302) continuity with ohm meter. <i>Be sure sprayer is unplugged!</i> Meter should read zero ohms with no fluid pressure in the sprayer.</p> | <p>9. Microswitch is faulty. Return sprayer for repair.</p> |
| | <p>10. Check all terminals for damage or loose fit. Reconnect TP6 connectors.</p> | <p>10. Replace damaged terminals and reconnect securely.</p> |
| | <p>11. Check circuit board (71) by substituting with a good board. See page 28.</p> | <p>11. Replace circuit board. See page 28.</p> |
| <p>WIRING DIAGRAM</p> <p>NOTE: These leads have interchangeable connections: TP9 and TP10 TP13 and TP14 TP15 and TP16</p> | | |
| <p>Condition C Red lamps on, Clear lamp off <i>Unplug sprayer!</i></p> | <p>1. Check circuit board (71) by removing from box <i>without</i> disconnecting wires; see page 28 for removal procedure.</p> <p>WARNING: Removing circuit board while still wired over-rides optical detector which may cause sprayer to over-pressurize, if microswitch does not function properly. Turn sprayer on <i>ONLY</i> long enough to check lamp condition, then shut off immediately.</p> <p>WARNING: To reduce risk of electric shock, handle board by edges only! Do not allow any metal objects to come in contact with board!</p> <p>Plug in and turn on sprayer. Clear lamp should be on now. Turn off and unplug sprayer.</p> | <p>1. Replace circuit board. See page 28.</p> |
| | <p>2. Check bourdon tube flag and detector position. Reinstall circuit board (see page 29). Turn pressure setting to maximum; flag should extend less than half way into optical detector slot from the bottom.</p> | <p>2. Perform pressure control adjustment to see if that corrects problem. See page 30.</p> <p>If not, replace bare pressure control box (301). See page 29.</p> |

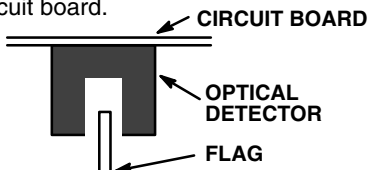
LOW OUTPUT

| TYPE OF PROBLEM | WHAT TO CHECK <i>If check is OK, go to next check</i> | WHAT TO DO <i>When check is not OK refer to this column</i> |
|-----------------|--|--|
| Low Output | 1. Check for worn spray tip. | 1. Follow Pressure Relief Procedure Warning then replace tip. See your separate gun or tip manual. |
| | 2. Check to see that pump does not continue to stroke when gun trigger is released. Plug in and turn on sprayer. Prime with paint. Trigger gun momentarily, then release and engage safety latch. Relieve pressure, turn off and unplug sprayer. | 2. Service pump. See pages 37–39. |
| | 3. Check electrical supply with volt meter. Meter should read 105–125 VAC. | 3. Reset building circuit breaker; replace building fuse. Repair electrical outlet or try another outlet. |
| | 4. Check extension cord size and length; must be at least 12 gauge wire and no longer than 150 ft. | 4. Replace with a correct, grounded extension cord. |
| | 5. Check G1 and G2 leads from bridge (308) to circuit board (71) for damaged or loose wires or connectors. Refer to page 25. | 5. Clean circuit board male terminals. Replace loose or defective lead terminals. Securely reconnect lead terminals to board. |
| | 6. Check stall pressure. Refer to Pressure Control Adjustment on page 30. | 6. Perform pressure control adjustment. See page 30. |
| | 7. Check bridge (308) + and – leads and terminals to motor. Inspect wiring insulation and terminals for signs of overheating. See page 27. | 7. Be sure male terminal blades are centered and firmly connected to female terminals. Replace any loose terminal or damaged wiring. Securely reconnect wires to bridge. |
| | 8. Check for loose motor brush leads and terminals. See page 25. | 8. Tighten terminal screws. Replace brushes if leads are damaged. See page 25. |
| | 9. Check for worn motor brushes which should be 1/2" minimum. See page 25. | 9. Replace brushes. See page 25. |
| | 10. Check for broken and misaligned motor brush springs. Rolled portion of spring must rest squarely on top of brush. | 10. Replace spring if broken. Realign spring with brush. See page 25. |
| | 11. Check motor brushes for binding in brush holders. See page 25. | 11. Clean brush holders, remove carbon dust with small cleaning brush. Align brush lead with slot in brush holder to assure free vertical brush movement. |
| | 12. Check circuit board (71) by substituting with a good circuit board. See page 28. | 12. Replace circuit board. See page 28. |
| | 13. Check motor armature for shorts by using an armature tester (growler) or perform spin test. See page 22. | 13. Replace motor. See page 34. |
| | 14. Check bridge (308) by substituting with a good bridge or by performing the bridge test. See page 23 or 27. CAUTION: Do not perform this check until armature is determined to be good. A bad armature will immediately burn out a good bridge. | 14. Replace bridge. See page 27. |

NO OUTPUT

| TYPE OF PROBLEM | WHAT TO CHECK <i>If check is OK, go to next check</i> | WHAT TO DO <i>When check is not OK refer to this column</i> |
|-------------------------------------|--|---|
| Motor runs and pump strokes | 1. Check paint supply. | 1. Refill and reprime pump. |
| | 2. Check for clogged intake strainer. | 2. Remove and clean, then reinstall. |
| | 3. Check for loose suction tube or fittings. | 3. Tighten; use thread sealant or sealing tape on threads if necessary. |
| | 4. Check to see if intake valve ball and piston ball are seating properly. See page 37. | 4. Remove intake valve and clean. Check balls and seats for nicks; replace if necessary. See page 37. Strain paint before using to remove particles that could clog the pump. |
| | 5. Check for leaking around throat packing nut which may indicate worn or damaged packings. See page 37. | 5. Replace packings. See pages 39–41. Also check piston valve seat for hardened paint or nicks and replace if necessary. Tighten the packing nut/wet-cup. |
| Motor runs but pump does not stroke | 1. Check displacement pump connecting rod pin (43). See page 39. | 1. Replace pin if missing. Be sure retainer spring (42) is fully in groove all around connecting rod. See page 39. |
| | 2. Check connecting rod assembly (68) for damage. See page 32. | 2. Replace connecting rod assembly . See page 32. |
| | 3. Be sure crank in drive housing rotates; plug in sprayer and turn on briefly to check. Turn off and unplug sprayer. See page 33. | 3. Check drive housing assembly for damage and replace if necessary. See page 33. |

EXCESSIVE PRESSURE FLUCTUATIONS

| TYPE OF PROBLEM | WHAT TO CHECK <i>If check is OK, go to next check</i> | WHAT TO DO <i>When check is not OK refer to this column</i> |
|---------------------------------------|---|---|
| Spray pattern variations. | 1. Be sure both G1 and G2 leads from bridge (308) to circuit board (71) are firmly connected. See page 28. | 1. Reconnect securely. See page 28. |
| | 2. Check maximum working pressure adjustment. Refer to Pressure Control Adjustment on page 30. | 2. Perform pressure control adjustment. See page 30. |
| | 3. Check bourdon tube flag and detector position. Turn pressure setting to maximum; flag should not drag or bind in optical detector slot of circuit board. | 3. Carefully bend flag into alignment with detector slot to see if that corrects problem. If not, replace bare pressure control assembly (301). Perform pressure control adjustment after reassembly. |
| |  | |
| | 4. Check circuit board (71) by substituting with a good board. See page 28. | 4. Replace circuit board. See page 28. |
| 5. Check LOW OUTPUT section, page 19. | | |

MOTOR IS HOT AND RUNS INTERMITTENTLY

| TYPE OF PROBLEM | WHAT TO CHECK <i>If check is OK, go to next check</i> | WHAT TO DO <i>When check is not OK refer to this column</i> |
|-----------------|--|---|
| | 1. Determine if sprayer was operated at high pressure with small tips, which causes low motor RPM and excessive heat build up. | 1. Decrease pressure setting or increase tip size. |
| | 2. Be sure ambient temperature where sprayer is located is no more than 90°F and sprayer is not located in direct sun. | 2. Move sprayer to shaded, cooler area if possible. |
| | 3. Determine if was sprayer turned on, pressurized, but not operating for long periods of time. | 3 Turn off sprayer whenever you stop spraying for a while and relieve fluid pressure. |

ELECTRICAL SHORT

| TYPE OF PROBLEM | WHAT TO CHECK <i>If check is OK, go to next check</i> | WHAT TO DO <i>When check is not OK refer to this column</i> |
|--|---|---|
| Building circuit breaker opens as soon as sprayer switch is turned on. CAUTION Any short in any part of the motor power circuit, which is connected to the output side of the bridge, will cause the bridge to burn out immediately. Correctly diagnose and repair all shorts before checking and replacing bridge. | 1. Check all electrical wiring for damaged insulation, and all terminals for loose fit or damage. Also check wires between pressure control and motor which are encased in conduit (1). See page 34. 2. Check for missing inspection plate gasket (see page 25), bent terminal forks or other metal to metal contact points which could cause a short. 3. Check motor armature for shorts. Use an armature tester (growler) or perform spin test. See page 22. Inspect windings for burns. 4. Check bridge (308) by substituting with a good bridge or by performing bridge test. See page 24. CAUTION: Do not check bridge until armature is determined to be good. A bad armature will immediately burn out a good bridge. | 1. Repair or replace any damaged wiring or terminals. Securely reconnect all wires. 2. Correct faulty conditions. 3. Replace motor. See page 34. 4. Replace bridge. See page 27. |
| Building circuit breaker opens as soon as sprayer is plugged into outlet and sprayer is NOT turned on. | 1. Check 'Basic Electrical Problems' on page 16. 2. Check ON/OFF switch (302) See page 26. <i>Be sure the sprayer is unplugged!</i> Disconnect wires from switch. Check switch with ohmmeter. The reading should be infinity with the ON/OFF switch OFF, and zero with the switch ON. CAUTION: A short in the motor circuit burns the bridge out immediately , which usually causes the ON/OFF switch to fail in the closed mode. | 2. Replace ON/OFF switch. See page 26. |
| Sprayer circuit breaker opens after sprayer operates for 5 to 10 minutes. | 1. Check electrical supply with volt meter. Meter should read 105 to 125 VAC. 2. Check tightness of pump packing nut. Over-tightening tightens packings on rod, restricts pump action, and damages packings. | 1. If voltage is too high, do not operate sprayer until corrected. 2. Loosen packing nut. Check for leaking around throat. Replace pump packings, if necessary. See page 37. |
| | 3. Check maximum working pressure adjustment. | 3. Perform pressure control adjustment. See page 30. |
| | 4. After determining that there is no short in system, reset circuit breaker button. | 4. If circuit breaker continues to open (button pops up), replace the circuit breaker. See page 27. |

WARNING

Before doing this procedure, follow the **Pressure Relief Procedure Warning** on page 24 to reduce the risk of a fluid injection injury, splashing in the eyes or on the skin, injury from moving parts, or electric shock. *Unplug the sprayer!*

For checking armature, motor winding and brush electrical continuity.

Setup

Remove the drive housing. Refer to page 33.

Remove the pressure control cover. Remove the motor shield (56). Remove the fan cover (F) and the inspection covers (J). Refer to Fig 22-1.

Disconnect the two leads from the motor to the bridge (308). Refer to Fig 22-2.

Armature Short Circuit Test

Quickly turn the motor fan by hand. If there are no shorts, the motor will coast two or three revolutions before coming to a complete stop. If the motor does not spin freely, the armature is shorted and the motor must be replaced. Refer to page 34.

Armature, Brushes, and Motor Wiring Open Circuit Test (Continuity)

Connect the two black motor leads together with a test lead. Turn the motor fan by hand at about two revolutions per second.

If there is uneven or no turning resistance, check the following: broken brush springs, brush leads, motor leads; loose brush terminal screws, motor lead terminals; worn brushes. Repair parts as needed. Refer to page 25.

If there is still uneven or no turning resistance, replace the motor. Refer to page 34.

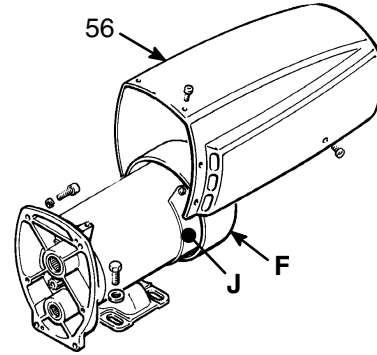


Fig 22-1

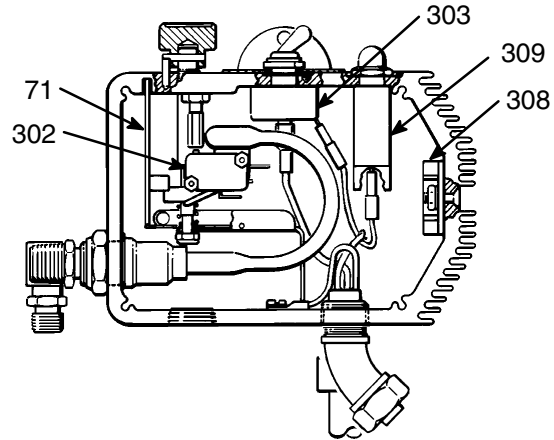


Fig 22-2

BRIDGE TEST

Remove the bridge from the pressure control box and perform this test to determine if the bridge is functional. Refer to **BRIDGE RECTIFIER REPLACEMENT**, page 27. Use a continuity tester, such as multi-meter set on the X1 ohms scale.

Perform all tests in the chart. If the bridge fails even one test, it must be replaced.

Fig 23-1 shows the position of the wires on the bridge. Using the chart at the right, connect the meter wires as indicated by the black dots for each test, and then check the continuity.

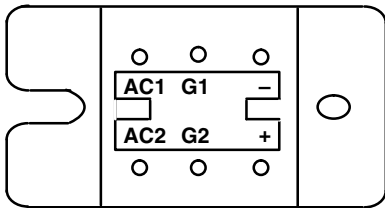


Fig 23-1

In Tests 1, 2 and 3, there should be NO continuity.

In Tests 4, 5 and 6, connect the + and - meter wires as indicated, check continuity, then switch the meter wire connections and check continuity again. You should get NO continuity one way and YES continuity the other way.

In Tests 7 and 8, connect the meter wires as indicated by the black dots. Touch the indicated "G" wire to one meter wire, and then to the other. You should get NO continuity one way and YES continuity the other way.

BRIDGE WIRES

| CONTINUITY | G2 | G1 | - | + | AC1 | AC2 | |
|------------|----|----|----|---|-----|-----|--------|
| NO | | | | | • | • | TEST 1 |
| NO | | | | • | | • | TEST 2 |
| NO | | | | • | | | TEST 3 |
| YES NO | | | • | • | | | TEST 4 |
| YES NO | | | • | • | | • | TEST 5 |
| YES NO | | | • | • | | | TEST 6 |
| YES NO | | ○ | OR | • | • | • | TEST 7 |
| YES NO | ○ | | OR | • | • | | TEST 8 |

GENERAL REPAIR INFORMATION

WARNING

Pressure Relief Procedure

To reduce the risk of serious bodily injury, including fluid injection, injury from splashing fluid or solvent in the eyes or on the skin, moving parts or electric shock, always follow this procedure whenever you shut off the sprayer, when checking or servicing any part of the spray system, when installing, cleaning or changing spray tips, and whenever you stop spraying.

1. Engage the gun safety latch.
2. Turn the ON/OFF switch to OFF.
3. Unplug the power supply cord.
4. Disengage the gun safety latch. Hold a metal part of the gun firmly to the side of a grounded metal pail, and trigger the gun to relieve pressure.
5. Engage the gun safety latch.
6. Open the pressure drain valve, having a container ready to catch the drainage. Leave the pressure drain valve open until you are ready to spray again.

If you suspect that the spray tip or hose is completely clogged, or that pressure has not been fully relieved after following the steps above, wrap a rag around the tip guard retaining nut or hose end coupling and VERY SLOWLY loosen the part to relieve pressure gradually, then loosen completely. Now clear the tip or hose obstruction.

Tool List

| | |
|------------------------------|-------------------------|
| Phillips screwdriver | 1/4 in. hex key wrench |
| Small flat blade screwdriver | 3/16 in. hex key wrench |
| Needle nose pliers | 5/8 in. socket wrench |
| Plastic mallet | 3/8 in. open end wrench |
| Adjustable wrench | 1/2 in. open end wrench |
| Adjustable, open-end wrench | 3/4 in. open end wrench |
| Torque wrench | 7/8 in. open end wrench |
| | High quality motor oil |
| | Bearing grease |

8. **When disconnecting wires** in the pressure control assembly, use needle nose pliers to separate mating connectors.
9. **When reconnecting the wires**, be sure the flat blade of the insulated male connector is centered in the wrap-around blade of the female connector.

CAUTION

To reduce the risk of a pressure control malfunction, be sure to properly mate connectors, and never pull on a wire to disconnect it. Pulling on a wire could loosen the connector from the wire.

10. **Route wires carefully** in the pressure control assembly, guiding them through the legs of the U-shaped bourdon tube. This is to avoid interfering with the bourdon tube, which moves as the pressure setting changes, and to avoid pinching the wires between the pressure control and cover.

CAUTION

Improper wire routing can result in poor sprayer performance or damage to the pressure control.

11. **Keep all screws, nuts, washers, gaskets, and electrical fittings** removed during repair procedures. These parts are not normally provided with replacement assemblies.
12. **Test your repair before regular operation** of the sprayer to be sure the problem is corrected.
13. **If the sprayer does not operate properly**, review the repair procedure again to verify that everything was done correctly. If necessary, refer to the Troubleshooting Guide, pages 16–21, to help identify other possible problems and solutions.

WARNING

To reduce the risk of serious bodily injury, including electric shock, DO NOT touch any moving parts or electrical parts with your fingers or a tool while inspecting the repair.

Shut off the sprayer and unplug it as soon as you complete the inspection.

Reinstall all covers, gaskets, screws and washers before operating the sprayer.

CAUTION

Do not run the sprayer dry for more than 30 seconds to avoid damaging the pump packings.

14. **Reinstall the motor shield before regular operation** of the sprayer and replace it if it is damaged. The cover directs cooling air around the motor to help prevent overheating. It can also help reduce the risk of burns, fire or explosion; see the **WARNING**, below.

WARNING

During operation, the motor and drive housing become very hot and could burn your skin if touched. Flammable materials spilled on the hot, bare motor could cause a fire or explosion. Always have the motor shield in place during regular operation to reduce the risk of burns, fire or explosion.

MOTOR BRUSH REPLACEMENT

NOTE: Replace the brushes when they have worn to less than 1/2 in. Refer to STEP 1, Fig 25-3. Note that the brushes wear differently on each side of the motor, so check them both. Brush Repair Kit 220-853 is available.

WARNING

Before doing this procedure, follow the **Pressure Relief Procedure Warning** on page 24 to reduce the risk of a fluid injection injury, splashing in the eyes or on the skin, injury from moving parts, or electric shock. *Unplug the sprayer!*

1. Remove the motor shield (56). Remove the inspection covers (J) and gaskets (K) on each side of the motor. Refer to Fig 25-1.

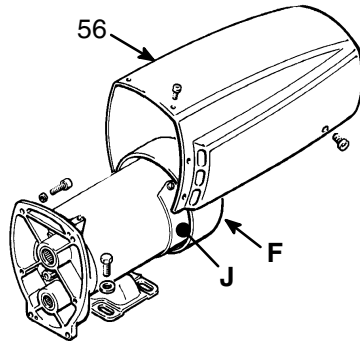


Fig 25-1

2. Push in the spring clip to release its hooks from the brush holder. Pull out the spring clip. Refer to Fig 25-2.
3. Loosen the brush lead terminal screw. Pull the brush lead away, but leave the motor lead terminal in place. Remove and discard the brush and spring. Refer to Fig 25-3.
4. Inspect the commutator for excessive pitting, burning or gouging.

NOTE: A black color on the commutator is normal. Have the commutator resurfaced by a qualified motor repair shop if the brushes seem to wear too fast.

5. Repeat for the other side.

CAUTION

When installing the brushes, follow all steps carefully. Improper installation damages parts beyond use.

6. Place a new brush in the holder so the lead is in the long slot of the holder. Slide the terminal under the terminal screw washer. Ensure the motor lead is still connected at the screw. Refer to Fig 25-4.
7. Place the spring on the brush as shown in Fig 25-4. Do not install backwards to avoid damage when the spring clip is installed.
8. Install the spring clip and push it down until its hooks catch the short slots in the housing. Refer to Fig 25-4. Incorrect installation may jam the clip.
9. Repeat for the other side.

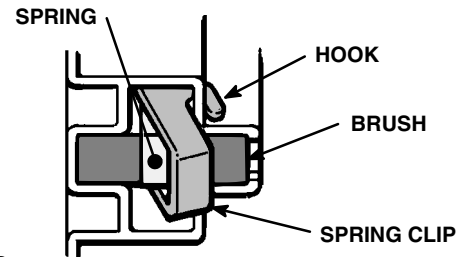


Fig 25-2

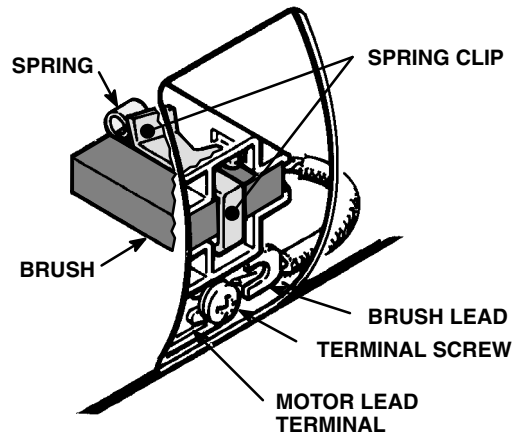


Fig 25-3

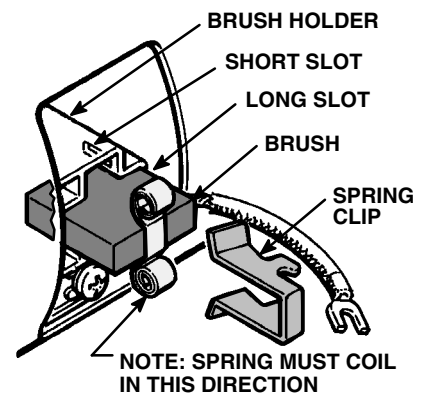


Fig 25-4

10. Test the brushes.

- a. With the sprayer OFF, turn the pressure control knob fully counterclockwise to minimum pressure. Plug in the sprayer.
- b. Turn the sprayer ON. Slowly increase the pressure until the motor comes up to full speed.
- c. Inspect the brush and commutator contact area for excessive arcing. Arcs should not "trail" or circle around the commutator surface.

WARNING

Do not touch the brushes, leads, springs or brush holders while the sprayer is plugged in to reduce the risk of electric shock and serious bodily injury.

CAUTION

Do not run the sprayer dry for more than 30 seconds while checking the brushes to avoid damaging the displacement pump packings.

11. Install the brush inspection covers and gaskets. Install the motor shield.

POWER SUPPLY CORD REPLACEMENT

WARNING

Before doing this procedure, follow the **Pressure Relief Procedure Warning** on page 24 to reduce the risk of a fluid injection injury, splashing in the eyes or on the skin, injury from moving parts, or electric shock. *Unplug the sprayer!*

Refer to Fig 26-1.

1. Remove the pressure control cover.
2. Disconnect the power supply cord lead from the ON/OFF switch (303), the white wire going to the bridge (308), and the green wire to the grounding screw (343) and lockwasher (327).
3. Loosen the strain relief bushing (328). Remove the power supply cord (311).
4. Install the new cord (311) in the reverse order of disassembly.

5. Reinstall the cover.

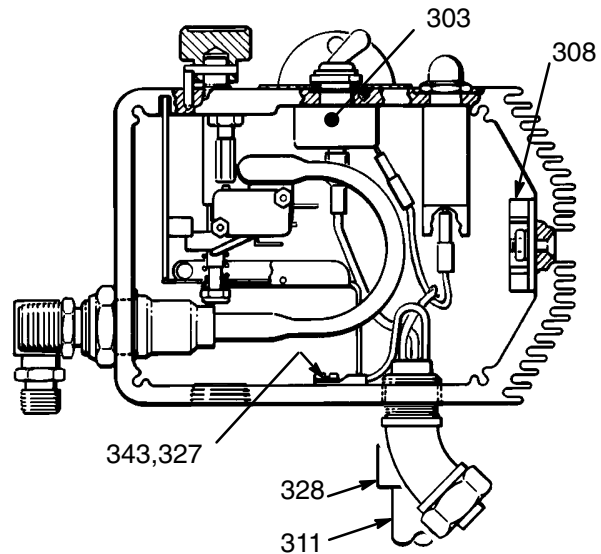


Fig 26-1

ON/OFF SWITCH REPLACEMENT

WARNING

Before doing this procedure, follow the **Pressure Relief Procedure Warning** on page 24 to reduce the risk of a fluid injection injury, splashing in the eyes or on the skin, injury from moving parts, or electric shock. *Unplug the sprayer!*

Refer to Fig 26-2 except where noted.

1. Remove the pressure control cover.
2. Use a needle nose pliers to disconnect the upper terminal wire from the microswitch (302) for ease in removing the ON/OFF switch (303). Refer to Fig 26-1.
3. Use pliers to disconnect the two black wires from the ON/OFF switch (303). Refer to Fig 26-1.
4. Use a 5/8 in. socket wrench to loosen and remove the nut and rubber boot (304) from the top of the pressure control box. Remove the switch guard (305).
5. Remove the ON/OFF switch.
6. Install the new switch so the internal tab of the anti-rotation ring (W) engages with the vertical groove in the threads of the switch, and the external tab engages with the blind hole (D) of the pressure control box.

7. Install the switch guard (305), aligning the internal tab with the groove in the threads.
8. Powder the inside of the rubber boot (304) with talcum, then shake excess out of boot.
9. Install the nut and rubber boot and tighten.
10. Reconnect the wires to the ON/OFF switch (303) and reconnect the wire to the microswitch (302).
11. Reinstall the pressure control cover.

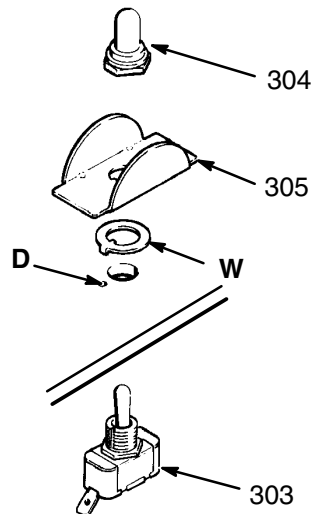


Fig 26-2

BRIDGE RECTIFIER REPLACEMENT

WARNING

Before doing this procedure, follow the **Pressure Relief Procedure Warning** on page 24 to reduce the risk of a fluid injection injury, splashing in the eyes or on the skin, injury from moving parts, or electric shock. *Unplug the sprayer!*

NOTE: *The most common cause of bridge failure is a faulty motor.* Check the motor before replacing the bridge to prevent damaging the new bridge.

1. Remove the pressure control cover.
2. Disconnect all wires from the bridge (308) at the appropriate terminals, using needle nose pliers.
3. Outside the pressure control box are two screws (331). Loosen, but don't remove the screw nearest the motor. Then loosen and remove the front screw. Slide the bridge out.
4. Slide the slotted end of the new bridge (308) into the box so the lockwasher (333) on the rear screw (331) is IN FRONT of the bridge. Refer to the DETAIL below.

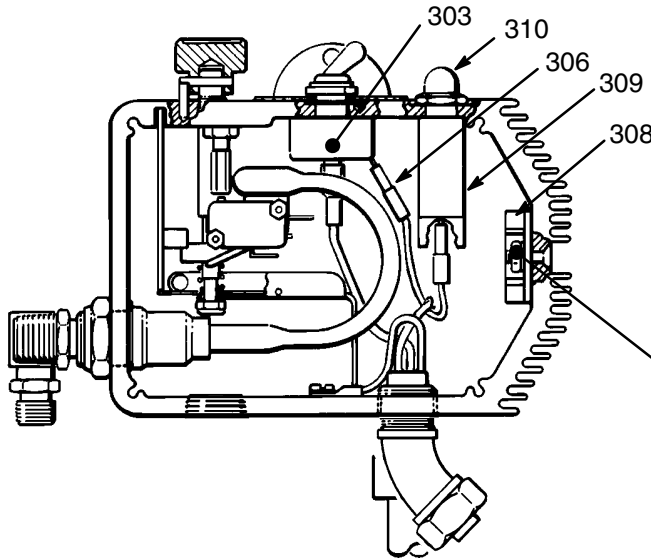


Fig 27-1

5. Install the front screw (331), lockwasher (333) and nut (332). Make sure the bridge is flush with the side of the box and tighten the screws securely.

CAUTION

The lockwashers (333) must be in front of the bridge to avoid overheating which will result in bridge failure. Refer to the DETAIL in Fig 27-1.

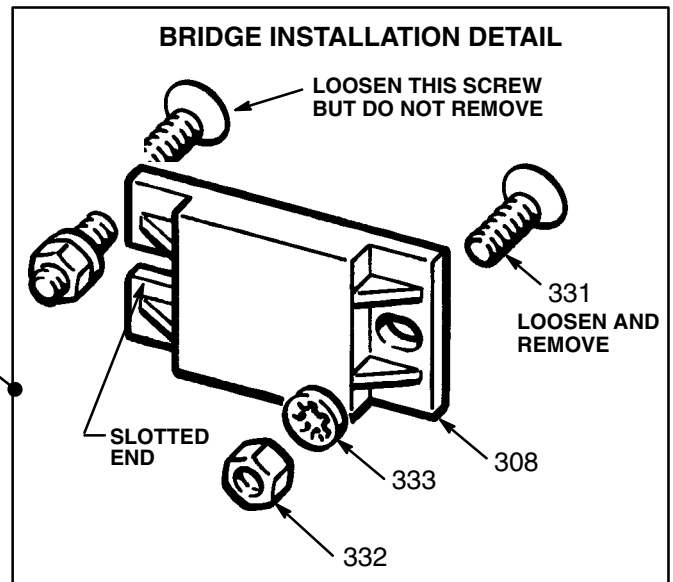
6. Connect all wires. Carefully route the wires.

CAUTION

Be sure the flat blade of the insulated male connector is centered in the wrap-around blade of the female connector when the connections are made. Improper connections may cause the sprayer to malfunction.

Route all wires carefully to avoid interference with the movement of the bourdon tube, circuit board, or control box cover which could cause a malfunction.

7. Reinstall the pressure control cover.



CIRCUIT BREAKER REPLACEMENT

WARNING

Before doing this procedure, follow the **Pressure Relief Procedure Warning** on page 24 to reduce the risk of a fluid injection injury, splashing in the eyes or on the skin, injury from moving parts, or electric shock. *Unplug the sprayer!*

Refer to Fig 27-1.

1. Remove the pressure control cover.
2. Use a small screwdriver to slide the terminal adapter off the circuit breaker terminal.
3. Disconnect the single black wire (306) from the circuit breaker (309) to the ON/OFF switch (303).

4. Use a 5/8 in. socket wrench to loosen the nut and boot (310) on the circuit breaker button.
5. Push down on the top of the circuit breaker and pull it out of the box.
6. Install the new circuit breaker in the reverse order.
7. Reinstall the pressure control cover.

CAUTION

Do not allow the circuit breaker contacts to touch the bourdon tube, which will cause a short. Tighten the circuit breaker nut firmly to prevent the circuit breaker from turning.

CIRCUIT BOARD REPLACEMENT

WARNING

Before doing this procedure, follow the **Pressure Relief Procedure Warning** on page 24 to reduce the risk of a fluid injection injury, splashing in the eyes or on the skin, injury from moving parts, or electric shock. *Unplug the sprayer!*

Refer to Fig 28-1 and 28-2.

1. Remove the pressure control cover.
2. Turn the pressure control knob to the minimum setting to release spring tension on the board. Check to be sure only three or four threads of the pressure control knob shaft are exposed below the pressure adjustment nut (S). Loosen the nut, if necessary. Refer to Fig 28-1.

CAUTION

Step 2 is essential to reduce the risk of damaging the circuit board while removing or installing it.

3. Disconnect ALL wires from the board, including the two heavy black wires. Pay close attention to where connections are made. Refer to Fig 28-2.
4. Pull out the black plastic-tipped pin (330). Push the bottom of the circuit board toward the wall of the control and carefully slide the board out.
5. Reinstall the new board in the box at the same angle as it was removed.

6. Reconnect all wires. Refer to the wiring diagram in Fig 28-2. Ease the pin (330) into the retainer.

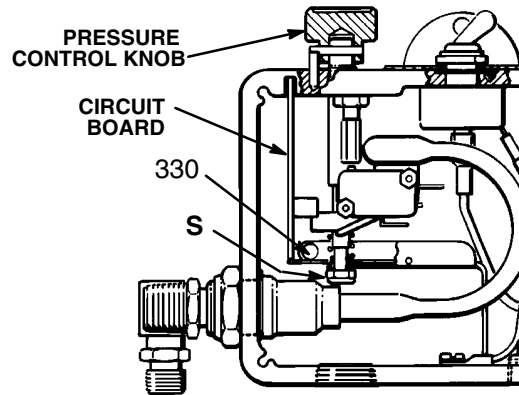


Fig 28-1

CAUTION

Be sure the flat blade of the insulated male connector is centered in the wrap-around blade of the female connector when the connections are made.

Route all wires carefully to avoid interference with the circuit board, bourdon tube, or pressure control cover.

These precautions are essential to reduce the risk of a malfunction.

7. Perform the **PRESSURE CONTROL ADJUSTMENT**, page 30, if you installed a new board.

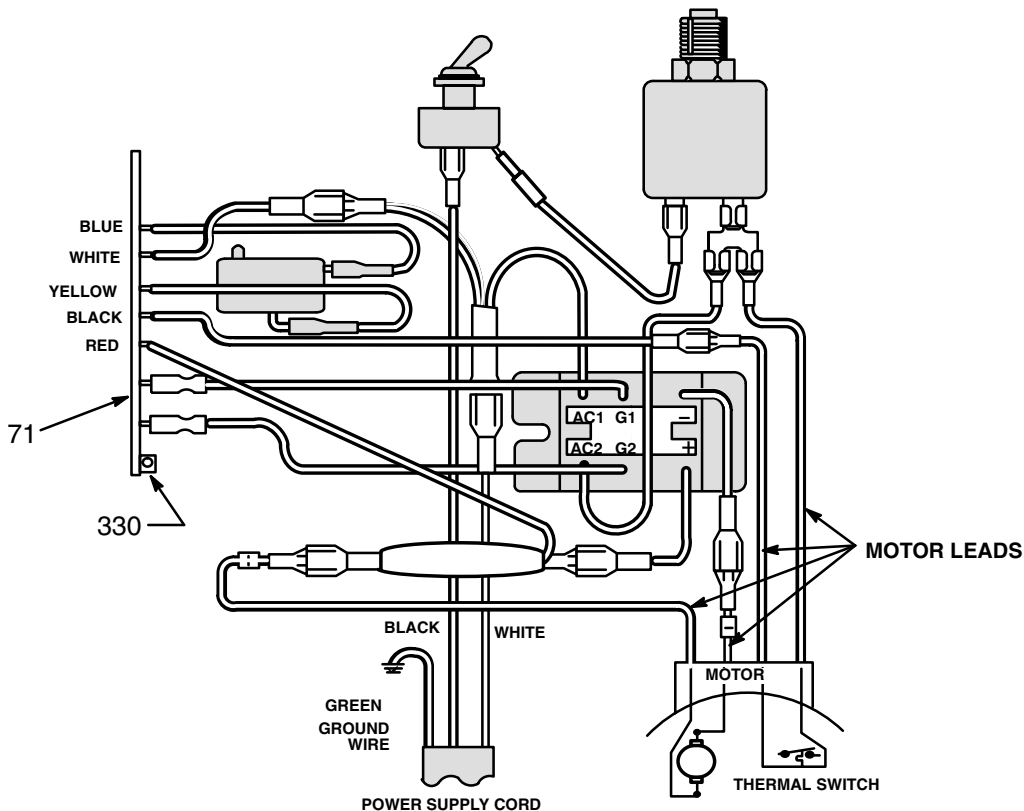


Fig 28-2

PRESSURE CONTROL REPLACEMENT

WARNING

Before doing this procedure, follow the **Pressure Relief Procedure Warning** on page 24 to reduce the risk of a fluid injection injury, splashing in the eyes or on the skin, injury from moving parts, or electric shock. *Unplug the sprayer!*

Refer to Fig 29-1 except where noted.

1. Disconnect the main fluid hose (101) and the secondary fluid hose, if used. Disconnect the fluid hose (70) at the displacement pump nipple (40) and the pressure control nipple (344).
2. Loosen the filter bracket nut (38).
3. Hold the hex of the pressure control adapter (341) firmly with a 3/4" open end wrench. Use an adjustable wrench to unscrew the swivel union (39), and then remove the fluid filter (66).
4. Remove the pressure control cover (63). Disconnect the four motor leads. Refer to Fig 28-2.
5. Remove the circuit board and retain it. Refer to page 28.

6. Remove the conduit (1).
7. Remove the three screws (8) and lockwashers (10) and nuts (11) located below the pressure control. Remove the pressure control.
8. Remove the screws (22) holding the back mounting bracket (64) to the pressure control.
9. Install the new pressure control assembly in the reverse order of disassembly. Reinstall the conduit seal (29) around the wires in the conduit connector (345) to prevent motor contamination from entering the control. See the DETAIL below.
10. Perform the **PRESSURE CONTROL ADJUSTMENT**, page 30, before regular operation of the sprayer.

CAUTION

Do not allow the adapter (341) to turn while installing the new pressure control assembly. Turning it can damage the sensitive bourdon tube. Hold the adapter firmly with a 3/4" open end wrench while screwing in the swivel union (39).

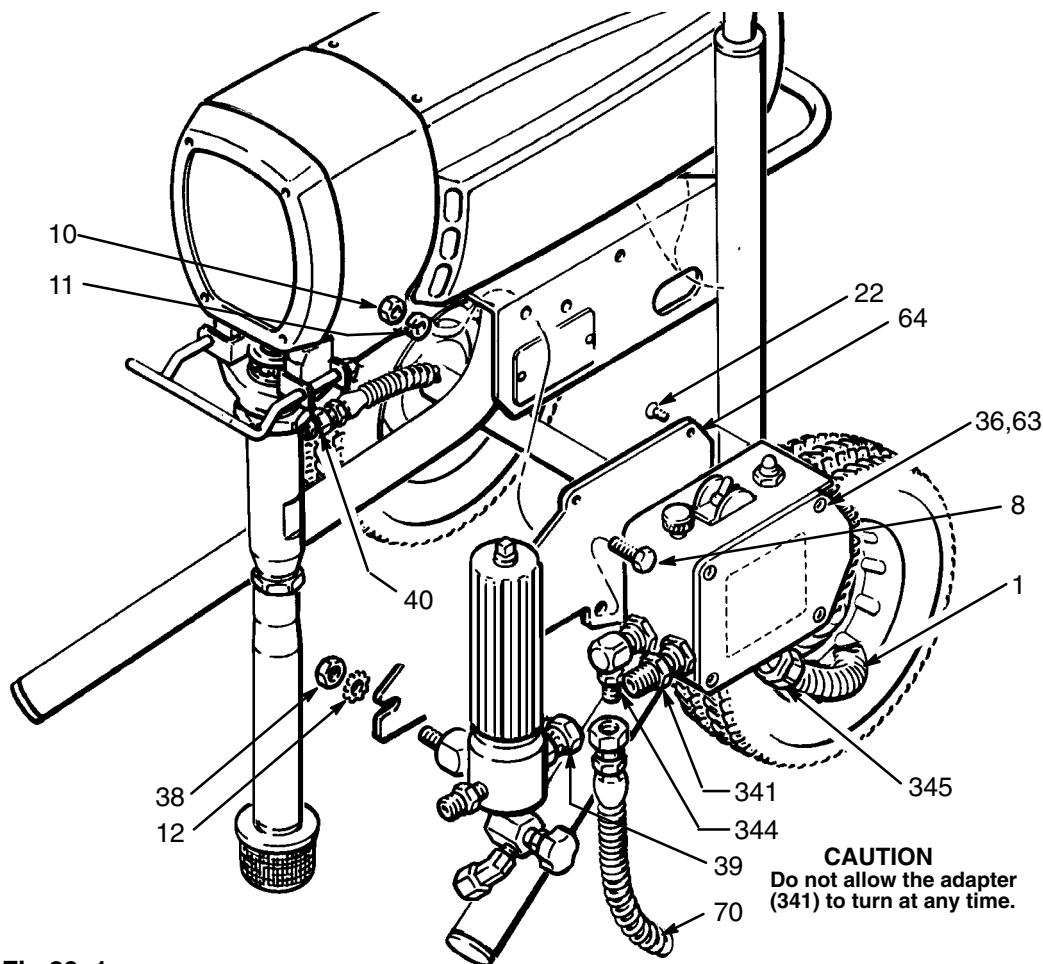


Fig 29-1

PRESSURE CONTROL ADJUSTMENT

WARNING

USE EXTREME CAUTION WHEN PERFORMING THIS ADJUSTMENT PROCEDURE to reduce the risk of a fluid injection injury or other serious bodily injury which can result from component rupture, electric shock, fire, explosion, or moving parts.

This procedure sets the sprayer to 3000 psi (210 bar) **MAXIMUM WORKING PRESSURE** and sets the overpressurization switch (microswitch) to approximately 3600 psi (242 bar).

Perform this procedure whenever the pressure control assembly is removed and reinstalled or replaced, or a new circuit board is installed.

Improper adjustment can cause the sprayer to overpressurize and result in component rupture, fire or explosion. It may also prevent the sprayer from obtaining the maximum working pressure, resulting in poor sprayer performance.

NEVER try to increase the sprayer's maximum working pressure of 3000 psi (210 bar) by performing these adjustments in any other way. Normal operation of the sprayer at higher pressures may result in component rupture, fire or explosion. To perform this adjustment, however, the sprayer pressure must be *temporarily* increased above the normal working pressure.

Use a *new* 50 ft (15.2 m) spray hose rated for at least 3000 psi (210 bar) **MAXIMUM WORKING PRESSURE**. A used, under-rated hose could develop a high pressure leak or rupture.

NOTE: The following tools and equipment are required for this procedure.

3/8 in. nut driver or 3/8 in. socket wrench

1/4 in. open end wrench

7/16 in. open end wrench

0 – 5000 psi, oil-filled test gauge, Part No. 102–814

Pail of clean water

Mineral spirits

NEW 3000 psi (210 bar) high pressure spray hose, Part No. 214–915

1. Follow the **Pressure Relief Procedure Warning** on page 24.
2. Refer to the above list of tools and equipment needed. Remove the plug (A) from the top of the fluid filter and install the fluid-filled pressure gauge. Refer to Fig 30–1. Connect the gun to the **new** test hose and connect the hose to the sprayer outlet.

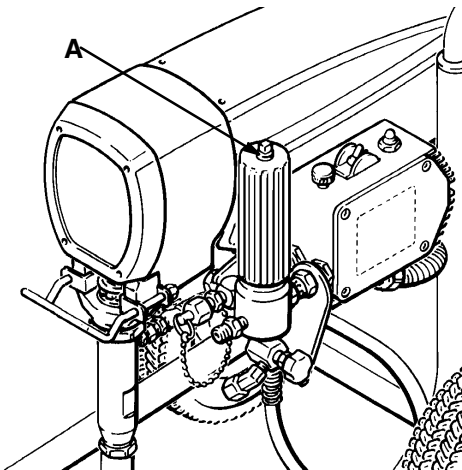


Fig 30–1

3. Remove the pressure control cover.

4. Place the pump suction tube in a pail of clean water.
5. Be sure the gun safety latch is engaged.

NOTE: For Steps 5 through 18, refer to Fig 31–1.

6. Plug in the sprayer.
7. Turn the pressure control knob (B) to the *minimum* setting (fully counterclockwise), and turn the sprayer **ON**. **THE DISPLACEMENT PUMP SHOULD NOT CYCLE**

If it does cycle, remove the plug (17) from the bottom of the pressure control. Insert a 3/8 in. nut driver through the opening, and unscrew the pressure adjustment nut (T) just until the sprayer stops running.

Adjust the Overpressurization Switch

8. With the spray gun triggered, **slowly** turn the pressure control knob clockwise just until the sprayer starts. Prime the pump and hose.
9. Slowly turn the pressure control knob to the maximum setting. While watching the red light on the circuit board and the pressure gauge, turn the nut (T) **slowly** to increase pressure until the red light goes out **and** the gauge reads between 3400 – 3800 psi (238 – 266 bar).

If the red light does not go out by 3800 psi (266 bar), loosen the nut (P) and adjust the stud (Q) until the light goes out.

If the red light goes out before 3400 psi (238 bar), loosen the nut (P) and adjust the stud (Q) until the light goes out between 3400 – 3800 psi (238 – 266 bar).

10. Tighten the nut (P) if it was loosened in Step 9.
11. Trigger the gun to relieve pressure. Release the trigger and engage the safety latch. Repeat Step 9 to verify your results.
12. Install the pressure control cover.

PRESSURE CONTROL ADJUSTMENT

Maximum Working Pressure Adjustment

- Turn the sprayer OFF. Disengage the gun safety latch. Trigger the gun into a grounded waste container until pressure is relieved. Engage the gun safety latch.
- Use the 3/8 in. nut driver to turn the pressure adjustment nut (T) counterclockwise one full turn.
- With the pressure control knob at the *minimum* setting, turn the sprayer ON.
- Slowly** turn the pressure control knob (B) clockwise to the maximum setting and hold it there. Use a 3/8 in. nut driver or socket wrench to slowly turn the pressure adjustment nut (T) clockwise until the gauge reads EXACTLY 3000 psi (210 bar).
- Turn the pressure control knob to the minimum setting. Release the gun safety latch and trigger the gun into a grounded waste container until pressure is relieved. Engage the gun safety latch. Slowly increase the pressure to verify that the maximum working pressure is set at 3000 psi (210 bar).

CAUTION

To prevent pump corrosion, flush the water out of the pump, hose and gun with mineral spirits. Be sure to close the drain valve, first. Use the lowest pressure necessary to flush. Follow the **Pressure Relief Procedure Warning** on page 24. Leave the mineral spirits in the pump to protect it until you are ready to spray again.

- Install the plug (17) in the bottom of the pressure control. Remove the gauge assembly and reinstall the plug. Flush out the water with mineral spirits.

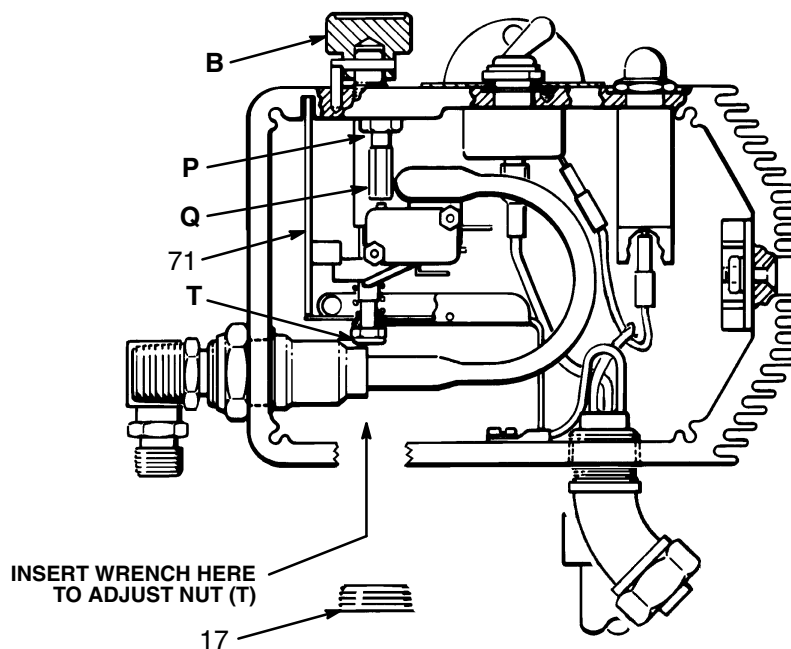


Fig 33-1

BEARING HOUSING & CONNECTING ROD REPLACEMENT

WARNING

Before doing this procedure, follow the **Pressure Relief Procedure Warning** on page 24 to reduce the risk of a fluid injection injury, splashing in the eyes or in the skin, injury from moving parts or electric shock. *Unplug the sprayer!*

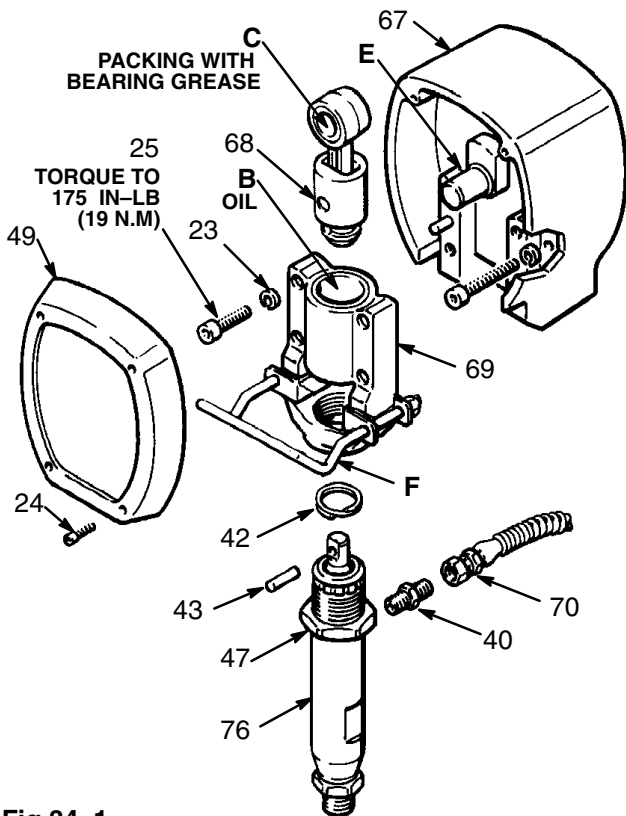


Fig 34-1

NOTE: Stop the sprayer at the bottom of its stroke to get the crank (E) in its lowest position. To lower the crank manually, carefully rotate the blades of the fan with a screwdriver.

1. Remove the front cover (49). Hold a wrench on the pump intake valve and unscrew the pump suction tube. Disconnect the short hose (70) from the pump.
2. Push up the retaining spring (42). Push the pin (43) out the rear.
3. Loosen the pump jam nut (47). Unscrew the displacement pump (76).
4. Remove the four screws (25) and lockwashers (23) from the bearing housing (69).
5. Lightly tap the lower rear of the bearing housing (69) with a plastic mallet to loosen it from the drive housing (67). Pull the bearing housing and the connecting rod assembly (68) straight off the drive housing.
6. Remove the pail bracket assembly (F) and reinstall it on the new bearing housing.
7. Inspect the crank (E) for excessive wear and replace parts as needed. Evenly lubricate the inside of the bronze bearing (B) with high quality motor oil. Liberally pack the roller bearing (C) with bearing grease.

8. Assemble the connecting rod (68) and bearing housing (69).
9. Clean the mating surfaces of the bearing and drive housings.
10. Align the connecting rod with the crank (E) and carefully align the locating pins in the drive housing with the holes in the bearing housing (69). Push the bearing housing onto the drive housing or tap it into place with a plastic mallet.

CAUTION

DO NOT use the bearing housing screws (25) to try to align or seat the bearing housing; the bearing and drive housing will not align properly and will result in premature bearing wear.

11. Install the screws (25) and lockwashers (23) in the bearing housing. Tighten the screws evenly to 175 in-lb (19 N.m).

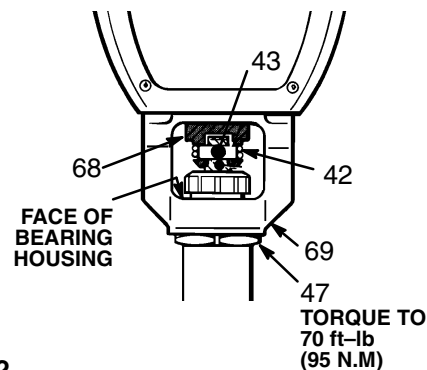


Fig 34-2

12. Screw the displacement pump 3/4 of the way into the bearing housing (69). Hold the pin (43) up to the pin hole in the connecting rod (68). Screw in the pump until the pin slides easily into the hole. Back off the pump until the top threads of the pump cylinder are flush with the face of the bearing housing and the outlet adapter (A) is facing back. Push the retaining spring (42) into the groove all the way around the connecting rod. Tighten the locknut (47) very tight – about 70 ft-lb (95 N.m) – with a 2 in. open end wrench and a light hammer. See Fig 34-2.

WARNING

Be sure the retaining spring (42) is firmly in the groove all the way around, to prevent the pin (43) from working loose due to vibration. See Fig 34-2.

If the pin works loose, it or other parts could break off due to the force of the pump action. These parts could be projected through the air and result in serious bodily injury or property damage, including damage to the pump connecting rod or bearing housing.

13. Install the front cover (49). Connect the suction tube (86) and short hose (70) to the pump. See Fig 34-1.

DRIVE HOUSING REPLACEMENT

WARNING

Before doing this procedure, follow the **Pressure Relief Procedure Warning** on page 24 to reduce the risk of a fluid injection injury, splashing in the eyes or in the skin, injury from moving parts or electric shock. *Unplug the sprayer!*

CAUTION

DO NOT allow the gear cluster (51) to fall when removing the drive housing (67). It is easily damaged if dropped. The gear may stay engaged in either the front end bell or the drive housing.

DO NOT lose the thrust balls (9) located at each end of the gear cluster (51) or allow them to fall between gears. The ball, which is heavily covered with grease, usually stays in the shaft recesses, but could be dislodged. If caught between gears and not removed, the balls will seriously damage the drive housing. If the balls are not in place, the bearings will wear prematurely.

Refer to Fig 33-1.

1. Remove the front cover (49). Remove the motor shield (56).
2. Remove the four screws (25) and lockwashers (23) from the bearing housing.
3. Lightly tap the lower rear of the bearing housing (69) with a plastic mallet to loosen it from the drive housing (67). Then pull the bearing housing and connecting rod assembly straight off the drive housing.
4. Remove the two screws (26) and lockwashers (20) from the recess of the drive housing.
5. Remove the two screws (13) and lockwashers (20) from the rear of the motor front end bell (R).
6. Remove the two screws (16) and lockwashers (20) from the upper rear of the motor front end bell (R).
7. Tap the drive housing (67) with a plastic mallet to loosen it from the front end bell (R), then pull it straight off.
8. Liberally apply bearing grease to the gear cluster (51). Use approximately 6 oz. of the grease supplied with the drive housing replacement kit. Check to be sure the thrust balls (9) are in place.
9. Place the bronze-colored washer (67b) THEN the silver-colored washer (67a) on the shaft protruding from the big gear in the drive housing (67). Align the gears and push the new drive housing straight onto the front end bell and locating pins.
10. Starting at Step 7 and working backwards, continue to reassemble the sprayer.

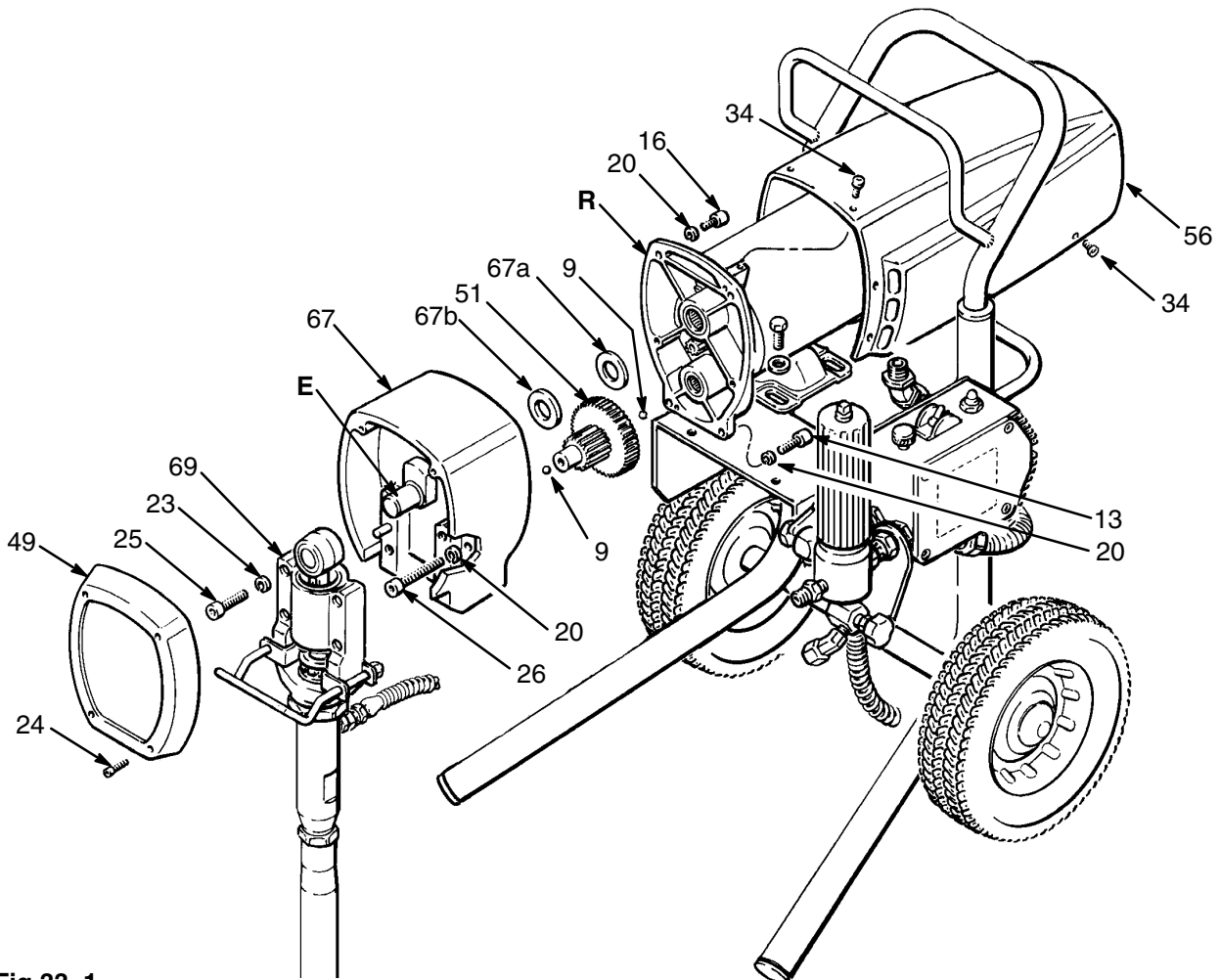


Fig 33-1

MOTOR REPLACEMENT

WARNING

Before doing this procedure, follow the **Pressure Relief Procedure Warning** on page 24 to reduce the risk of a fluid injection injury, splashing in the eyes or in the skin, injury from moving parts or electric shock. *Unplug the sprayer!*

Refer to Flg 35–1 unless otherwise instructed.

1. Remove the motor shield (56).
2. Remove the pressure control cover (63). Disconnect the four motor leads.
3. Loosen the conduit connector nut (345) at the pressure control (75).
4. Swing the conduit (1) away from the pressure control elbow (31).
5. Remove the conduit seal (29) from around the conduit elbow coming into the control box. Pull the motor leads through the elbow, one at a time.

CAUTION

Always pull the motor leads one at a time to avoid loosening the terminals, which could result in a bad connection and poor sprayer performance.

6. Loosen the connector nut (31) at the motor and pull the conduit (1) away from the motor. Pull the leads through the conduit, one at a time.
7. Unscrew the connector elbow from the motor.
8. Pull the wires through the elbow, one at a time.
9. Remove the front cover and screws (49, 24).
10. Remove the two screws (26) and washers (20) from the recess of the drive housing,
11. Remove the two screws (13) and washers (20) from the lower rear of the motor front end bell (73b),
12. Remove the two screws (16) and washers (20) from the upper rear of the motor front end bell (R).
13. Use a plastic mallet to gently tap the displacement pump (76) from the rear to loosen the drive housing (67) from the front end bell (R). Pull the drive housing away from the end bell.

CAUTION

DO NOT allow the gear cluster (51) to fall when removing the drive housing (67). It is easily damaged if dropped. The cluster may stay engaged in either the front end bell or the drive housing.

DO NOT lose the thrust balls (9) located at each end of the gear cluster (51) or allow them to fall between gears. The ball, which is heavily covered with grease, usually stays in the gear recesses, but could be dislodged. If caught between gears and not removed, the balls will seriously damage the drive housing. If the balls are not in place, the bearings will wear prematurely.

14. While supporting the motor to keep the sprayer from tipping, remove the four screws (8), washers (87), lockwashers (11) and nuts (10) holding the motor to the frame. Lift off the motor.
 15. Place the new motor on the frame and align the frame mounting holes. Install the screws (8), washers (87), lockwashers (11) and nuts (10), tightly.
 16. Liberally grease the gear cluster (51) and pinion gear (B) and pack all bearings in the motor front end bell. Check to be sure the thrust balls (9) are in place.
 17. Place the bronze-colored washer (67b) and THEN the silver-colored washer (67a) on the shaft protruding from the big gear in the drive housing (67).
 18. Align the gears and push the drive housing (67) straight onto the front end bell (R) and locating pins.
 19. Starting at Step 12 and working backwards, continue to reassemble the sprayer.
- NOTE:** Use a turning motion on the conduit (1) when feeding wires through it.
20. Install the conduit seal (29) around the wires in the conduit elbow (345) at the pressure control to keep contaminants from entering the motor conduit. See the Detail in Flg 35–1.
 21. Install the motor shield and pressure control cover.

WIRING DIAGRAM

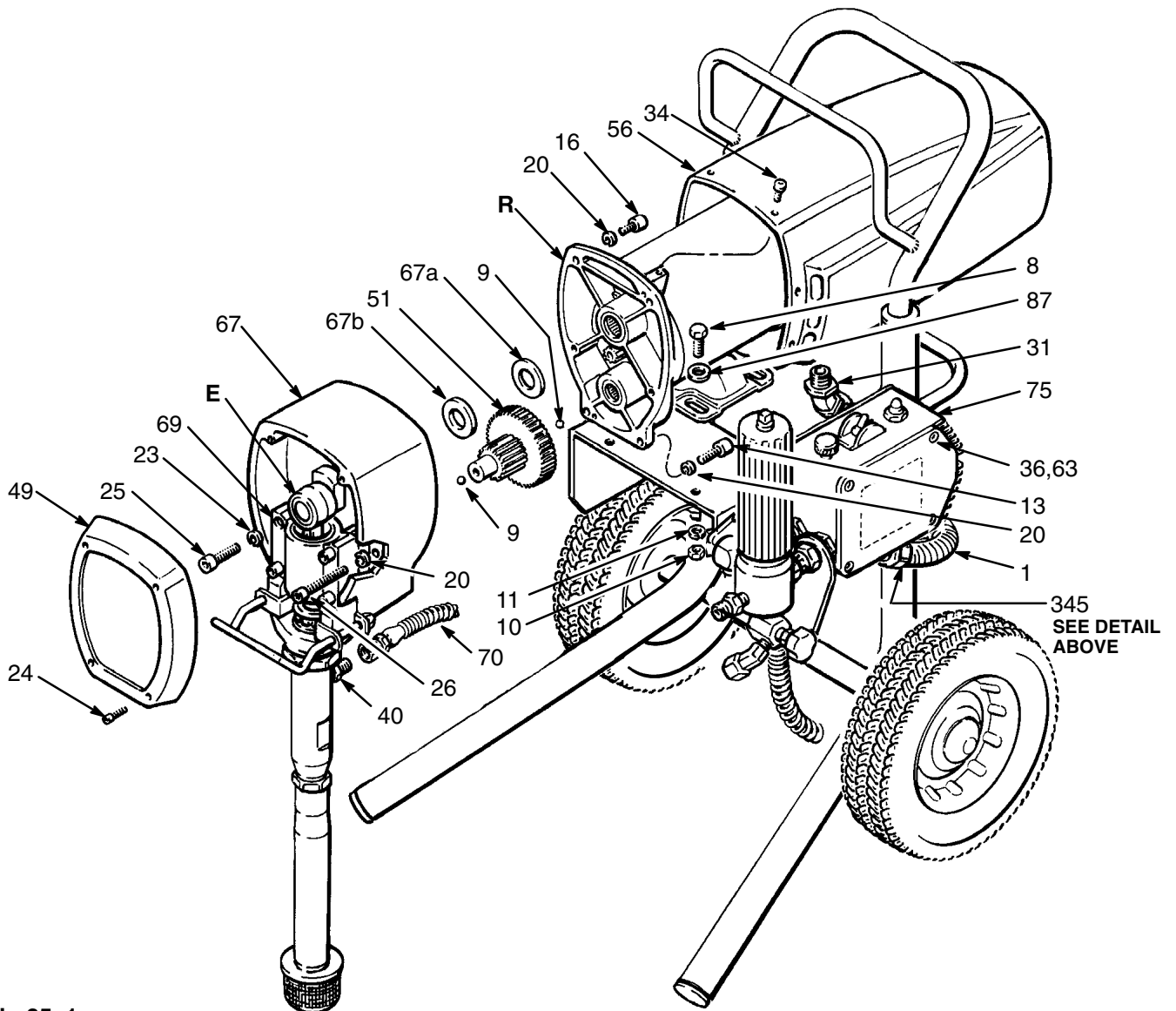
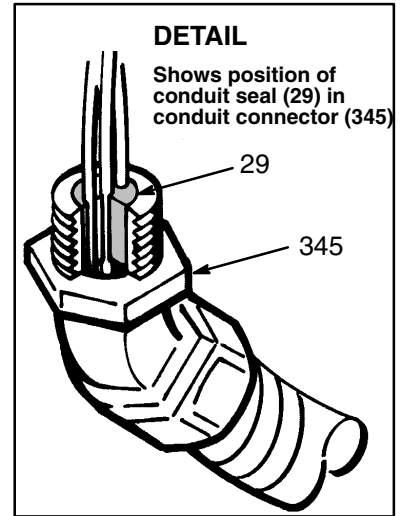
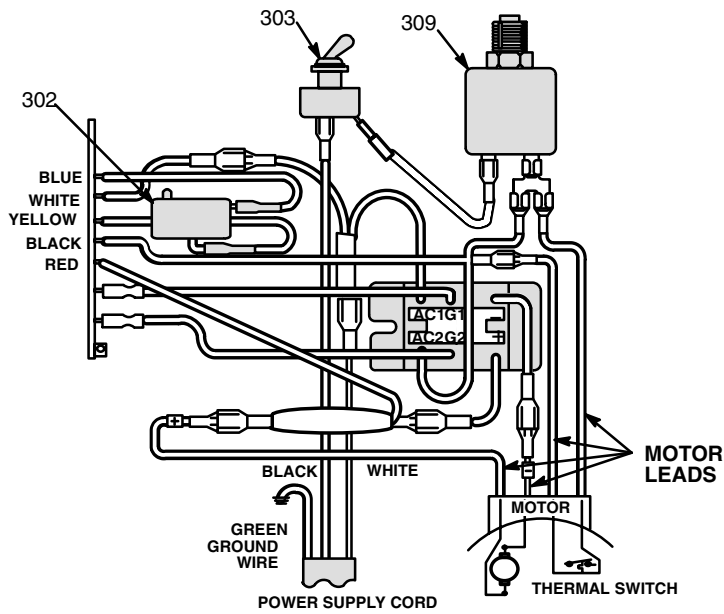


Fig 35-1

DISPLACEMENT PUMP REPAIR

WARNING

Before doing this procedure, follow the **Pressure Relief Procedure Warning** on page 24 to reduce the risk of a fluid injection injury, splashing in the eyes or on the skin, injury from moving parts or electric shock.

NOTE: Packing Repair Kit 222-588 is available. In the text and drawings, reference numbers with an asterisk, i.e., (210*), indicate the parts included in the repair kit. For the best results, use all the new parts in the kit, even if the old ones still look good.

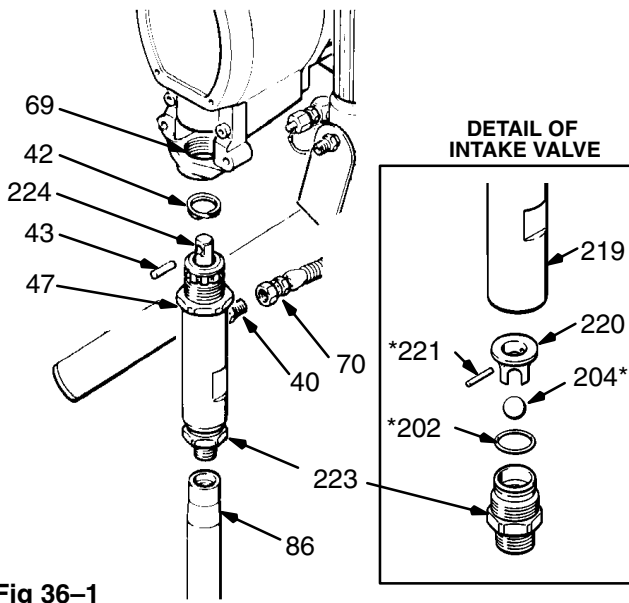


Fig 36-1

Removing the Pump Refer to Fig 36-1.

1. Flush the pump, if possible, and relieve pressure again. Stop the pump with the piston rod (224) in its lowest position, if possible.
2. Hold the wrench on the pump intake valve (223) to keep the pump from loosening and remove the suction tube (86).

NOTE: If repairing only the intake valve assembly, go to **Disassembling the Pump**, Steps 1 and 2.

3. Remove the hose (70) from the nipple (40).
4. Push the retaining spring (42) up. Push out the pin (43).
5. Loosen the locknut (47) and unscrew the pump from the bearing housing (69).

Disassembling the Pump

1. Unscrew the intake valve (223) from the cylinder (219). Remove the o-ring (202), ball guide (220), stop pin (221) and ball (204) from the valve. Refer to Fig 36-1.

2. Clean and inspect the parts for wear or damage, replacing parts as needed. Always use the new o-ring included in the Repair Kit. If no further service is needed, reassemble the intake valve.
3. Remove the packing nut (216) and plug (205). Refer to Fig 37-3.
4. Use a plastic mallet to tap the piston rod (224) down, then pull the rod out through the bottom of the cylinder.
5. Remove the throat packings (207, 213) and glands (208, 209). Refer to Fig 37-3.

NOTE: Whenever you disassemble the pump for cleaning or repair, remove the sleeve. A special sleeve removal tool is available. Order Graco Part No. 222-586. Do not use any other type of tool.

WARNING

Always use the special sleeve removal tool to remove the sleeve. Other removal methods could cause the pump to rupture, resulting in serious bodily injury. If the sleeve cannot be removed easily using the tool, return the sleeve and cylinder to your Graco distributor for removal.

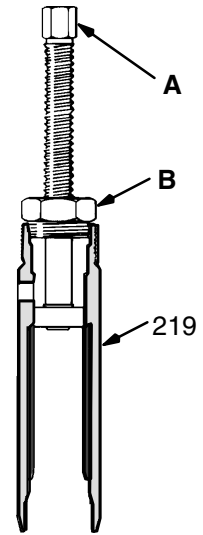


Fig 36-2

6. Screw the large nut (B) of the tool into the top of the cylinder (19). Screw down the rod (A) to push the sleeve out. Remove the tool. Refer to Fig 36-2.
7. Clamp the flats of the piston rod in a vise. Loosen the retaining nut (211). Unscrew the piston valve (222) from the rod. Remove all parts from the piston valve (222). Refer to Fig 37-1.

Reassembling the Pump

NOTE: Alternate leather and plastic packings as shown in Fig 37-1. The lips of the throat "V" packings must face down, against pressure. The lips of the piston "V" packings must face up, against pressure. The lips of the U-cup seal (3) face down. Incorrect installation damages the packings and results in pump leaking.

NOTE: Soak leather packings in oil before using them.

1. Check the outside of the piston rod (224) and the inside of the sleeve (218) for scoring or scratches. If these parts are damaged, new packings will not seal properly. Replace these parts if needed.
2. Stack the backup washer (214), seal (203*), female gland (215*), alternate the packings (212*, 206*), and then male gland (210*) onto the piston valve (222). Refer to Fig 37-1.

DISPLACEMENT PUMP REPAIR

- Tighten the packing retaining nut (211) onto the piston valve (222) to 19 ft-lb (27 N.m).

Note the alignment of the piston (222) to the packing retainer nut (211). Maintain this alignment through Steps 5, 6 and 7.

- Place the ball (225) on the piston valve (222). Refer to Fig 37-1.

CAUTION

Step 5 is critical. Follow the procedure carefully to avoid damaging the packings by overtightening.

- Apply one drop of adhesive, supplied, to the threads of the piston valve. Then hand tighten the valve assembly into the piston rod just until the nut (211) contacts the rod. Refer to Fig 37-1.

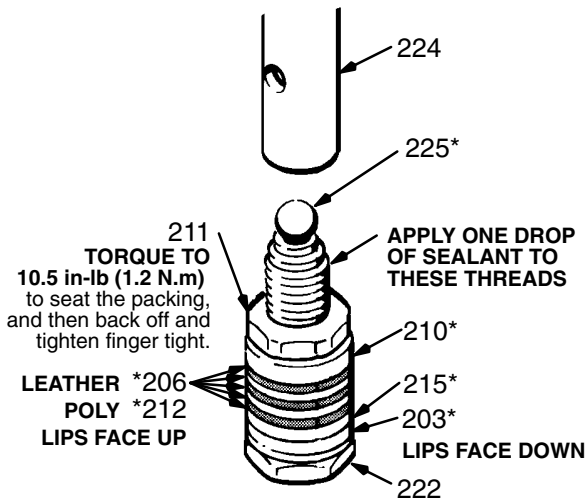


Fig 37-1

- Place the flats at the top of the rod in a vise.
- Use a wrench to **CAREFULLY** tighten the nut (211) onto the piston rod to 19 ft-lbs (25 N.m). Refer to Fig 37-2.

Use two wrenches to maintain the alignment mentioned in Step 7, above.

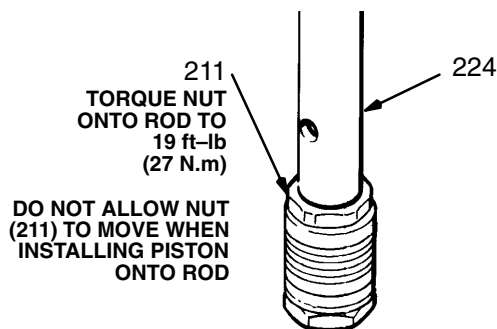


Fig 37-2

- One at a time stack the male gland (208*), alternate the packings (213*, 207*), and then install the female gland (9), into the top of the cylinder (219). Refer to Fig 37-3.
- Install the packing nut (216) and plug (205), but leave loose for now. Refer to Fig 37-3.

- Coat the piston rod and packings with oil. Carefully slide the assembly INTO THE TOP OF THE SLEEVE.

NOTE: The tapered end of the sleeve is the bottom of it. Refer to Fig 38-1.

- Place a new o-ring (202*) firmly in the cylinder groove. Refer to Fig 37-3.

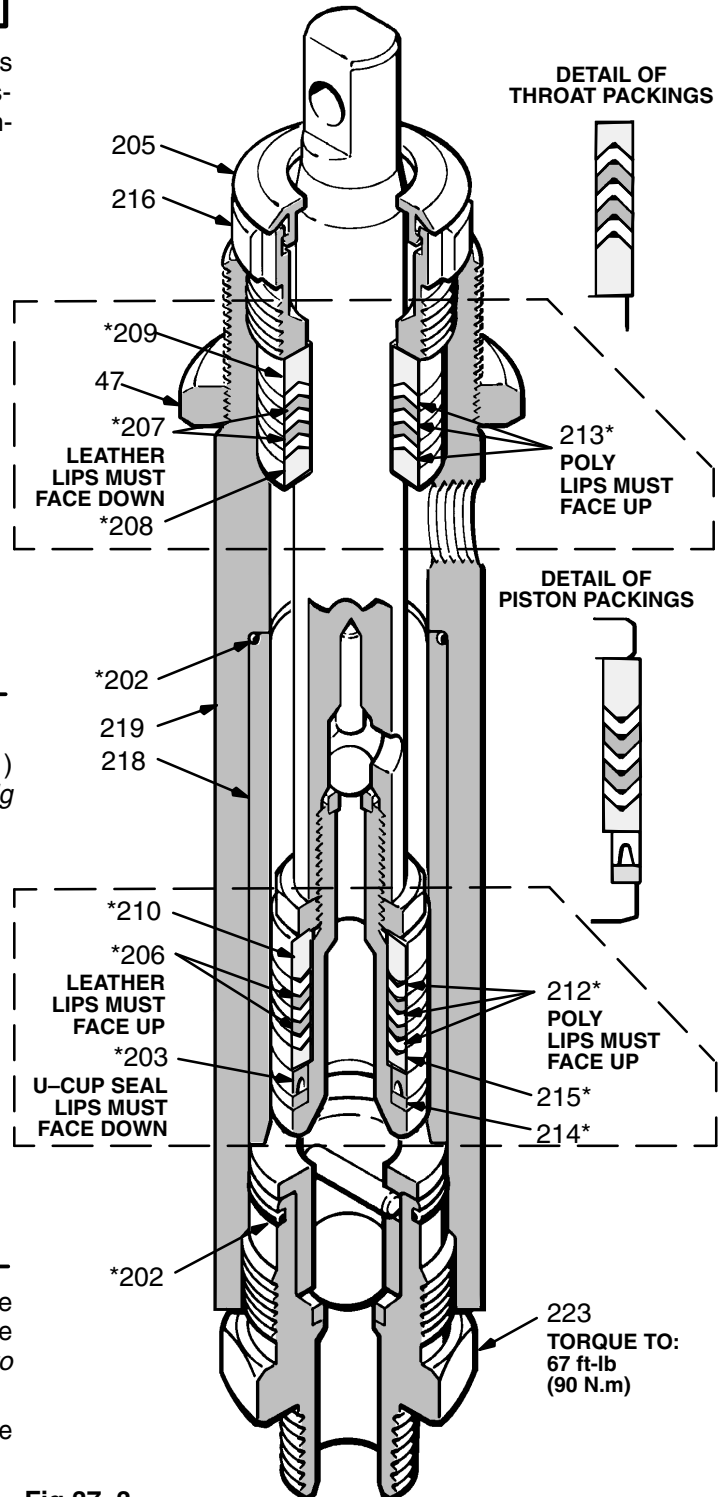


Fig 37-3

DISPLACEMENT PUMP REPAIR

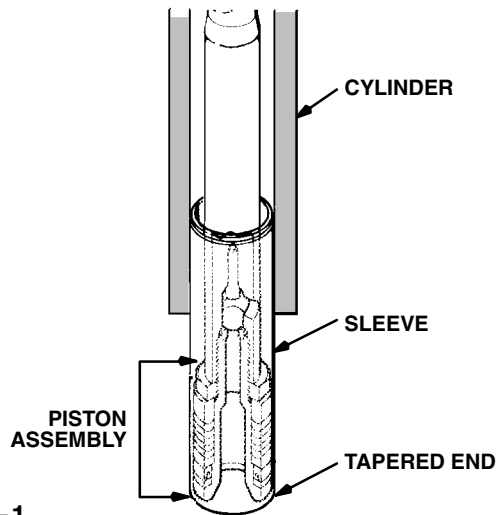


Fig 38-1

12. Slide the sleeve/piston rod assembly **INT O THE BOTTOM OF THE CYLINDER** . This is to prevent packing damage during reassembly . *Refer to Fig 38-1.*
13. Screw down the cylinder locknut (47) until it is finger tight at the bottom of the external cylinder threads.
14. Place flats of the intake valve (223) in a vise. Install a new o-ring (202*). Screw the pump cylinder into the valve. Torque to 67 ft-lb (90 N.m). *Refer to Fig 37-3.*
15. Screw the displacement pump about 3/4 of the way into the bearing housing (69). Hold the pin (43) up to the pin hole in the connecting rod assembly (68) and continue screwing in the pump until the pin slides easily into the hole. Back off the pump until the top threads of the pump cylinder are flush with the face of the bearing housing and the outlet nipple (40) is straight back. Push the retaining spring (42) into the groove all the way around the connecting rod. Tighten the locknut (47) very tight—about 70 ft-lb (97 N.m)—with a 2 in. open-end wrench and a light hammer. *Refer to Fig 38-2.*

WARNING

Be sure the retaining spring (42) is firmly in the groove of the connecting rod, all the way around, to prevent it from working loose due to vibration. Refer to Fig 38-2.

If the pin works loose, it or other parts could break off due to the force of the pumping action. These parts could be projected through the air and result in serious bodily injury or property damage, including damage to the pump, connecting rod or bearing housing.

CAUTION

If the locknut (47) loosens during operation, the threads of the bearing housing (69) will be damaged. Be sure to tighten the locknut firmly.

16. Tighten the packing nut (216) just enough to stop leakage, but no tighter. Fill the wet-cup/packing nut 1/3 full with Graco TSL.

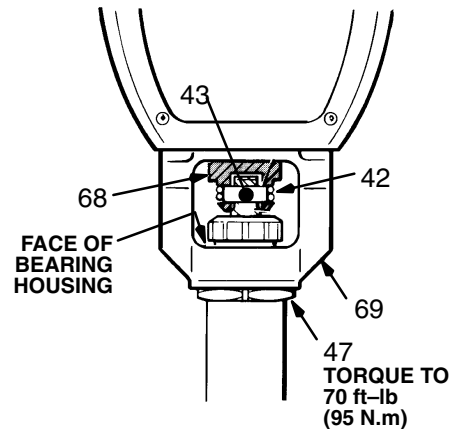


Fig 38-2

PARTS DRAWING & LIST – DISPLACEMENT PUMP

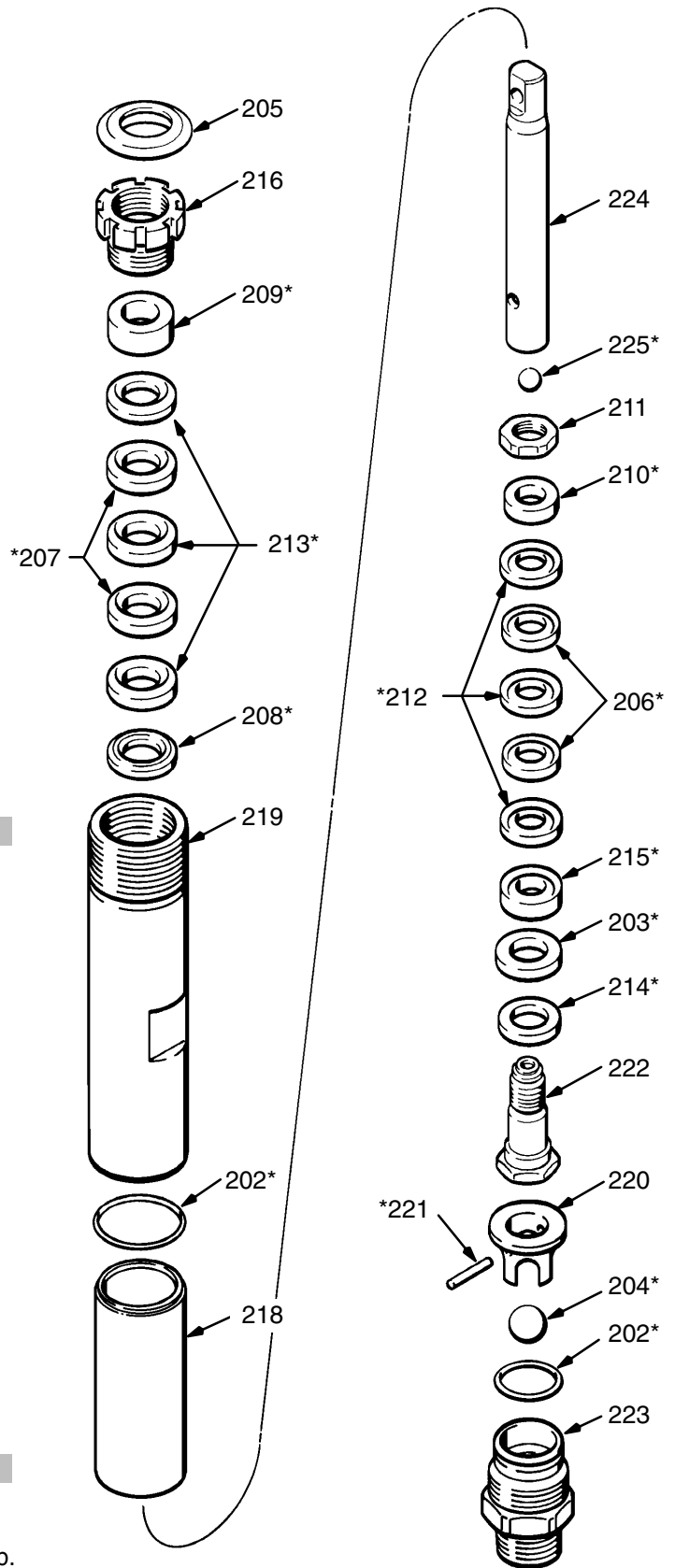
Model 222–580, Series A

Sleeved Displacement Pump

Includes items 202 to 225

| REF NO. | PART NO. | DESCRIPTION | QTY |
|---------|----------|---------------------------|-----|
| 202 | 110–165* | PACKING, o–ring, PTFE ® | 2 |
| 203 | 107–093* | SEAL, u–cup, polyurethane | 1 |
| 204 | 105–445* | BALL; sst | 1 |
| 205 | 179–810 | PLUG 1 | |
| 206 | 178–939* | V–PACKING, leather | 2 |
| 207 | 178–940* | V–PACKING, leather | 2 |
| 208 | 178–942* | GLAND, male | 1 |
| 209 | 178–943* | GLAND, female | 1 |
| 210 | 178–944* | GLAND, male | 1 |
| 211 | 178–945 | NUT, hex, retaining | 1 |
| 212 | 178–964* | V–PACKING, plastic | 3 |
| 213 | 178–965* | V–PACKING, plastic | 3 |
| 214 | 181–338* | WASHER, backup | 1 |
| 215 | 178–969* | GLAND, female | 1 |
| 216 | 179–809 | NUT, packing | 1 |
| 218 | 185–213 | SLEEVE, cylinder | 1 |
| 219 | 185–211 | CYLINDER | 1 |
| 220 | 185–214 | GUIDE, ball | 1 |
| 221 | 178–938* | PIN, ball stop | 1 |
| 222 | 218–036 | VALVE, piston | 1 |
| 223 | 222–437 | VALVE, intake | 1 |
| 224 | 222–438 | ROD, piston | 1 |
| 225 | 105–444* | BALL | 1 |

*Supplied in repair kit 222–588.



REPAIR KIT 222–588

Must be purchased separately.

Includes:

| REF NO. | DESCRIPTION | QTY |
|---------|---------------------------|-----|
| 202 | PACKING, o–ring, PTFE ® | 1 |
| 203 | SEAL, u–cup, polyurethane | 1 |
| 204 | BALL; sst | 1 |
| 206 | V–PACKING, leather | 2 |
| 207 | V–PACKING, leather | 2 |
| 208 | GLAND, male | 1 |
| 209 | GLAND, female | 1 |
| 210 | GLAND, male | 1 |
| 212 | V–PACKING, plastic | 3 |
| 213 | V–PACKING, plastic | 3 |
| 214 | WASHER, backup | 1 |
| 215 | GLAND, female | 1 |
| 221 | PIN, ball stop | 1 |
| 225 | BALL | 1 |

SLEEVE REMOVAL TOOL

Must be purchased separately.

NOTE: Be sure you order the correct tool for your pump.

222–586 Sleeve Removal Tool, for pump 222–580.

PARTS DRAWING – UPRIGHT SPRAYER

Ultra 750 Sprayers with Upright Cart

Model 231-033, Series C

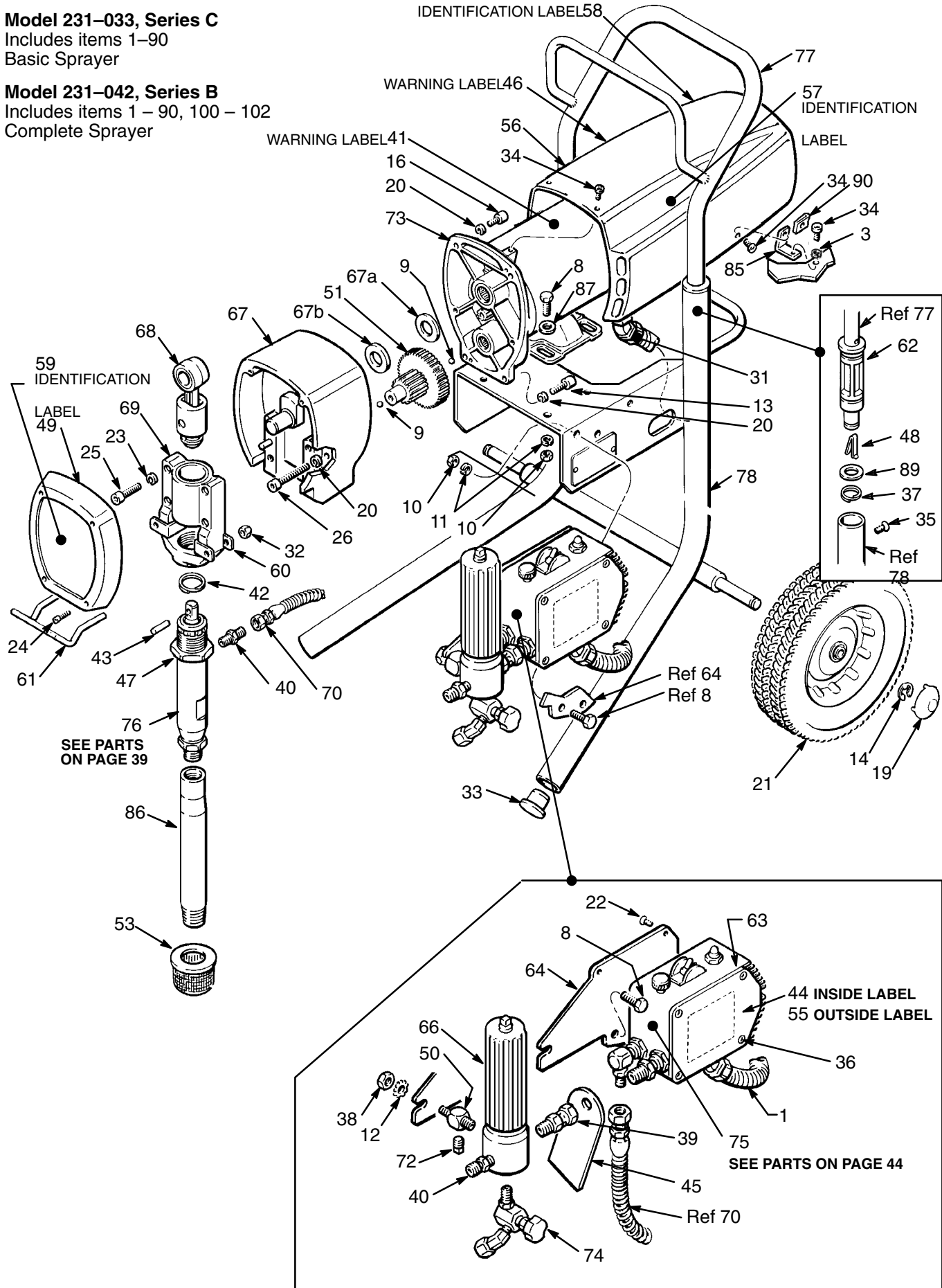
Includes items 1-90

Basic Sprayer

Model 231-042, Series B

Includes items 1 - 90, 100 - 102

Complete Sprayer



PARTS LIST – UPRIGHT SPRAYER

Ultra 750 Sprayers with Upright Cart

Model 231–033, Series C

Includes items 1–90
Basic Sprayer

| REF NO. | PART NO. | DESCRIPTION | QTY |
|---------|----------|--|-----|
| 1 | 065–099 | CONDUIT, electrical <i>specify length when ordering 0.8</i> | ft |
| 3 | 100–020 | LOCKWASHER, 3/8" | 2 |
| 8 | 100–057 | SCREW, hex head no. 5/16–18 x .25" | 7 |
| 9 | 100–069 | BALL, steel; 1/4" dia. | 2 |
| 10 | 100–188 | NUT, heavy hex; 5/16–18 unc–2a | 7 |
| 11 | 100–214 | LOCKWASHER, spring; 5/16" | 7 |
| 12 | 100–322 | LOCKWASHER, external shakeproof; 7/16" | 1 |
| 13 | 100–643 | SCREW, socket head no. 1/4–20 x 1.00" | 2 |
| 14 | 101–242 | RING, retaining | 2 |
| 16 | 100–644 | SCREW, socket head, no. 1/4–20 x 0.75" | 2 |
| 17 | 101–754 | PLUG, pipe, <i>see page 44</i> | 1 |
| 19 | 104–811 | HUBCAP | 2 |
| 20 | 105–510 | LOCKWASHER, spring, 1/4" | 6 |
| 21 | 106–062 | WHEEL, semi–pneumatic | 2 |
| 22 | 106–078 | SCREW, mach, ovhd, thd frm;g; no. 6–24 x 1/2", type "c" | 4 |
| 23 | 106–115 | LOCKWASHER, spring, 3/8" | 4 |
| 24 | 107–209 | SCREW, mach, filh; no. 8–32 x 1" | 4 |
| 25 | 107–210 | CAPSCREW, sch; 3/8–16 unc–3a x 1–1/2" | 4 |
| 26 | 107–218 | CAPSCREW, sch; 1/4–20 x 2.75" | 2 |
| 27 | 107–258 | TIP, grip, <i>see page 44</i> | 1 |
| 29 | 107–447 | SEAL, conduit, <i>see page 44</i> | 2 |
| 31 | 108–460 | CONNECTOR, conduit, 45° | 1 |
| 32 | 108–662 | NUT, retainer | 2 |
| 33 | 108–691 | PLUG, tubing | 2 |
| 34 | 108–865 | SCREW, mach; pan head; no. 8 x 3/8" | 10 |
| 35 | 109–032 | SCREW, mach, pnh | 4 |
| 36 | 110–037 | SCREW, mach, pnhd | 4 |
| 37 | 110–243 | RING, retaining | 2 |
| 38 | 150–513 | NUT, jam; 7/16" | 1 |
| 39 | 155–665 | UNION, adapter; 3/8" npsm swivel x 3/8 npt(m) | 1 |
| 40 | 162–453 | NIPPLE, 1/4 npt(m) x 1/4 npsm | 2 |
| 41 | 176–250* | LABEL, WARNING | 1 |
| 42 | 176–817 | SPRING, retaining | 1 |
| 43 | 176–818 | PIN, straight, hdls; 0.3125" dia x 1.023" | 1 |
| 44 | 177–762* | LABEL, WARNING | 1 |
| 45 | 178–034* | TAG, WARNING | 1 |
| 46 | 178–934* | LABEL, WARNING | 1 |
| 47 | 178–941 | NUT, hex | 1 |
| 48 | 179–777 | BUTTON, snap | 2 |
| 49 | 179–899 | COVER, housing | 1 |
| 50 | 179–945 | ADAPTER, elbow, special; 1/4–18 npt (m x f) | 1 |
| 51 | 179–961 | GEAR REDUCER | 1 |
| 52 | 180–041 | PIN, straight, <i>see page 44</i> | 1 |
| 53 | 181–072 | STRAINER | 1 |
| 55 | 181–608 | LABEL, identification | 1 |
| 56 | 222–693 | SHIELD, motor <i>includes 8 of item 34, and one each of items 41, 57, and 58</i> | 1 |
| 57 | 181–636 | LABEL, ID, motor cover, left | 1 |
| 58 | 181–637 | LABEL, ID, motor cover, right | 1 |
| 59 | 181–638 | LABEL, ID, front cover | 1 |
| 60 | 183–035 | BRACKET | 2 |
| 61 | 183–037 | HANGER, pail | 1 |

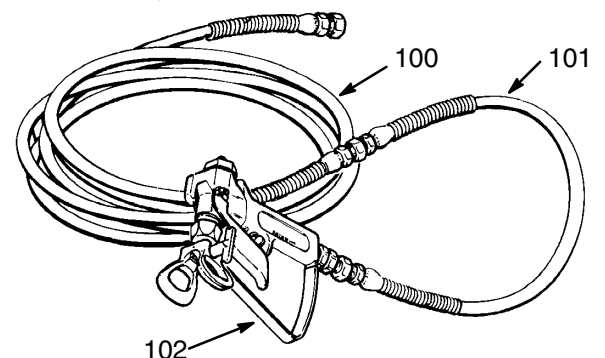
Model 231–042, Series B

Includes items 1 – 90, 100 – 102
Complete Sprayer

| REF NO. | PART NO. | DESCRIPTION | QTY |
|---------|-----------|--|-----|
| 62 | 183–194 | SLEEVE | 2 |
| 63 | 183–995 | COVER, pressure control | 1 |
| 64 | 183–365 | BRACKET, mounting | 1 |
| 65 | 206–994 | THROAT SEAL LIQUID, 8 OZ | 1 |
| 66 | 214–570 | FLUID FILTER <i>Includes one of item 40 see manual 307–273 for parts</i> | 1 |
| 67 | 220–369 | DRIVE HOUSING <i>includes replaceable items 67a and 67b and one of item 9</i> | 1 |
| 67a | 178–967 | .WASHER, silver-colored | 1 |
| 67b | 107–089 | .WASHER, bronze-colored | 1 |
| 68 | 218–034 | ROD, CONNECTING | 1 |
| 69 | 218–035 | HOUSING, BEARING | 1 |
| 70 | 218–083 | HOSE, grounded, nylon; 1/4" ID cpld 1/4 npsm (f); 29" (715 mm); spring guards both ends | 1 |
| 71 | 218–405 | BOARD, CIRCUIT; 115V | 1 |
| 72 | 100–509 | PLUG, pipe 1/4 npt | 1 |
| 73 | 222–376** | MOTOR, ELECTRIC <i>includes replaceable items 73a to 73c (shown on page 45) and one each of items 9 and 41</i> | 1 |
| 73a | 107–267 | .TERMINAL, female | 2 |
| 73b | 107–504 | .TERMINAL, female | 1 |
| 73c | 596–421 | .TERMINAL, wire, female, snap-on | 1 |
| 74 | 222–198 | VALVE, PRESSURE DRAIN | 1 |
| 75 | 220–455 | PRESSURE CONTROL ASSY <i>see parts on page 44</i> | 1 |
| 76 | 222–580 | DISPLACEMENT PUMP <i>see page 39 for parts</i> | 1 |
| 77 | 222–554 | HANDLE, cart | 1 |
| 78 | 222–555 | FRAME, sprayer | 1 |
| 85 | 185–384 | BRACKET | 2 |
| 86 | 185–386 | TUBE, suction | 1 |
| 87 | 107–194 | WASHER | 4 |
| 89 | 183–350 | WASHER | 2 |
| 90 | 110–240 | CLIP | 2 |
| 100 | 210–541 | HOSE, grounded, nylon; 1/4" ID; cpld 1/4 npsm(f); 50 ft (15 m) spring guards both ends | 1 |
| 101 | 214–701 | HOSE, grounded, nylon; 3/16" ID; cpld 1/4 npsm(f); 3 ft (.9 m); spring guards both ends | 1 |
| 102 | 220–955 | SPRAY GUN <i>see manual 307–614 for parts</i> | 1 |

*Extra warning tags and labels available free.

**Motor Brush Repair Kit 220–853 is available.
Order separately.

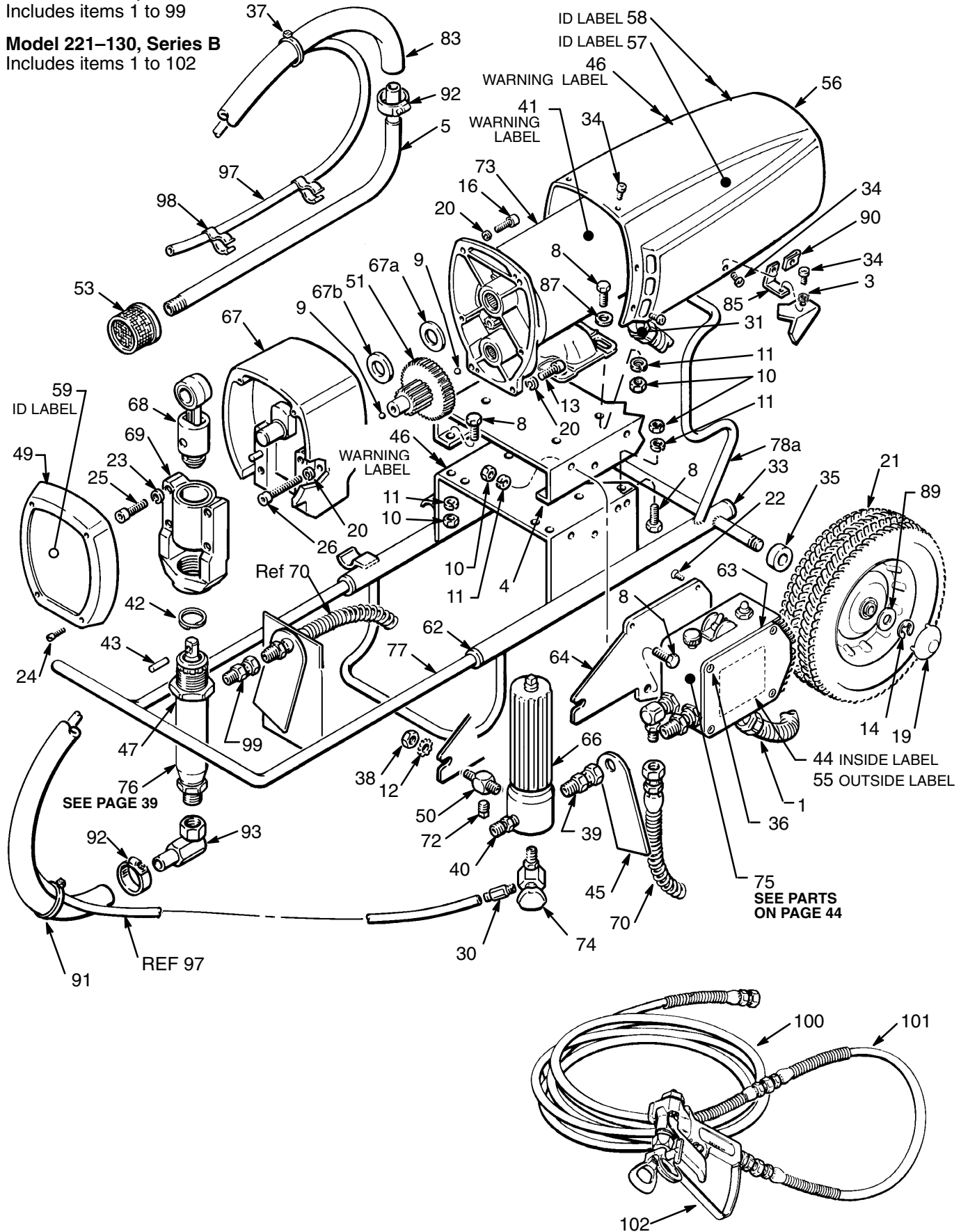


PARTS DRAWING – LO-BOY SPRAYER

**Ultra 750 Sprayer
with Lo-Boy Cart**

Model 221–120, Series C
Includes items 1 to 99

Model 221–130, Series B
Includes items 1 to 102



PARTS LIST – LO-BOY SPRAYER

Ultra 750 Sprayers with Lo-Boy Cart

Model 221–120, Series C

Includes items 1–99

Basic Sprayer with Lo-Boy Cart

| REF NO. | PART NO. | DESCRIPTION | QTY |
|---------|-----------|---|-----|
| 1 | 065–099 | CONDUIT, electrical <i>Specify length when ordering 0.8</i> | ft |
| 3 | 100–020 | LOCKWASHER, 3/8" | 2 |
| 4 | 185–407 | SPACER | 1 |
| 5 | 183–769 | TUBE, suction | 1 |
| 8 | 100–057 | SCREW, hex head no. 5/16–18 x .25" | 11 |
| 9 | 100–069 | BALL, steel; 1/4" dia. | 2 |
| 10 | 100–188 | NUT, heavy hex; 5/16–18 unc–2a | 11 |
| 11 | 100–214 | LOCKWASHER, spring; 5/16" | 11 |
| 12 | 100–322 | LOCKWASHER, external shakeproof; 7/16" | 1 |
| 13 | 100–643 | SCREW, socket head no. 1/4–20 x 1.00" | 2 |
| 14 | 101–242 | RING, retaining | 2 |
| 16 | 100–644 | SCREW, socket head, no. 1/4–20 x 0.75" | 2 |
| 17 | 101–754 | PLUG, pipe, <i>see page 44</i> | 1 |
| 19 | 104–811 | HUBCAP | 2 |
| 20 | 105–510 | LOCKWASHER, spring, 1/4" | 6 |
| 21 | 106–062 | WHEEL, semi–pneumatic | 2 |
| 22 | 106–078 | SCREW, mach, ovhd, thd frmg; no. 6–24 x 1/2", type "c" | 4 |
| 23 | 106–115 | LOCKWASHER, spring, 3/8" | 4 |
| 24 | 107–209 | SCREW, mach, filh; no. 8–32 x 1" | 4 |
| 25 | 107–210 | CAPSCREW, sch; 3/8–16 unc–3a x 1–1/2" | 4 |
| 26 | 107–218 | CAPSCREW, sch; 1/4–20 x 2.75" | 2 |
| 27 | 107–258 | TIP, grip, <i>see page 44</i> | 1 |
| 29 | 107–447 | SEAL, conduit, <i>see page 44</i> | 2 |
| 30 | 108–982 | CONNECTOR, tube | 1 |
| 31 | 108–460 | CONNECTOR, conduit, 45° | 1 |
| 33 | 105–521 | PLUG, tubing | 2 |
| 34 | 108–865 | SCREW, mach; pan head; no. 8 x 3/8" | 10 |
| 35 | 183–275 | SPACER, wheel | 2 |
| 36 | 110–037 | SCREW, mach, pnhd | 4 |
| 37 | 103–117 | RING, retaining | 2 |
| 38 | 150–513 | NUT, jam; 7/16" | 1 |
| 39 | 155–665 | UNION, adapter; 3/8" npsm swivel x 3/8 npt(m) | 1 |
| 40 | 162–453 | NIPPLE, 1/4 npt(m) x 1/4 npsm | 1 |
| 41 | 176–250* | LABEL, WARNING | 1 |
| 42 | 176–817 | SPRING, retaining | 1 |
| 43 | 176–818 | PIN, straight, hdls; 0.3125" dia x 1.023" | 1 |
| 44 | 177–762* | LABEL, WARNING | 1 |
| 45 | 178–034* | TAG, WARNING | 1 |
| 46 | 178–934* | LABEL, WARNING | 1 |
| 47 | 178–941 | NUT, hex | 1 |
| 49 | 179–899 | COVER, housing | 1 |
| 50 | 179–945 | ADAPTER, elbow, special; 1/4–18 npt (m x f) | 1 |
| 51 | 179–961 | GEAR REDUCER | 1 |
| 52 | 180–041 | PIN, straight <i>see page 44</i> | 1 |
| 53 | 183–770 | STRAINER | 1 |
| 55 | 181–608 | LABEL, identification | 1 |
| 56 | 222–693** | MOTOR SHIELD KIT <i>includes 8 of item 34, and one each of items 41, 57, and 58</i> | 1 |
| 57 | 181–636 | LABEL, ID, motor cover, left | 1 |

Model 221–130, Series B

Includes items 1 – 102

Complete Sprayer with Lo-Boy Cart

| REF NO. | PART NO. | DESCRIPTION | QTY |
|---------|----------------|---|-----|
| 58 | 181–637 | LABEL, ID, motor cover, right | 1 |
| 59 | 181–638 | LABEL, ID, front cover | 1 |
| 62 | 178–566 | SLEEVE | 2 |
| 63 | 183–995 | COVER, pressure control | 1 |
| 64 | 183–365 | BRACKET, mounting | 1 |
| 65 | 206–994 | THROAT SEAL LIQUID, 8 OZ | 1 |
| 66 | 214–570 | FLUID FILTER <i>Includes one of item 40 see manual 307–273 for parts</i> | 1 |
| 67 | 220–369 | DRIVE HOUSING KIT <i>includes replaceable items 67a and 67b and one of item 9</i> | 1 |
| 67a | 178–967 | .WASHER, silver–colored | 1 |
| 67b | 107–089 | .WASHER, bronze–colored | 1 |
| 68 | 218–034 | CONNECTING ROD KIT | 1 |
| 69 | 218–035 | BEARING HOUSING KIT | 1 |
| 70 | 220–680 | HOSE, grounded, nylon; 1/4" ID cpld 1/4 npsm (f); 29" (715 mm) | 1 |
| 71 | 218–405 | BOARD, circuit; 115V | 1 |
| 72 | 100–509 | PLUG, pipe, 1/4 npt | 1 |
| 73 | 222–376 | ELECTRIC MOTOR KIT <i>includes replaceable items 73a to 73c (shown on page 45)</i> | 1 |
| 73a | 107–267 | .TERMINAL, female | 2 |
| 73b | 107–504 | .TERMINAL, female | 1 |
| 73c | 596–421 | .TERMINAL, wire, female, snap–on | 1 |
| 74 | 221–077 | VALVE, PRESSURE DRAIN | 1 |
| 75 | 220–455 | PRESSURE CONTROL ASSY <i>see parts on page 44</i> | 1 |
| 76 | 222–580** | DISPLACEMENT PUMP <i>see page 39 for parts</i> | 1 |
| 77 | 183–288 | HANDLE, cart | 1 |
| 78 | 220–678 | FRAME KIT <i>Includes items 78a and items 14, 33, 35, 37, 62, 77, 89</i> | 1 |
| 78a | 221–119 | FRAME, cart | 1 |
| 83 | 176–920 | HOSE, suction, 30" (762 mm) | 1 |
| 85 | 185–384 | BRACKET | 2 |
| 87 | 107–194 | WASHER | 4 |
| 89 | 154–636 | WASHER | 2 |
| 90 | 110–240 | CLIP | 2 |
| 91 | 103–473 | STRAP, wire tie | 2 |
| 92 | 103–927 | CLAMP, hose, 1.25" ID | 2 |
| 93 | 110–229 | UNION, adapter | 1 |
| 97 | 183–281 | HOSE, drain | 1 |
| 98 | 178–342 | CLIP, spring | 2 |
| 99 | 156–823 | UNION, swivel, 1/4 npt(m) x 1/4 npt(f) | 1 |
| 100 | 210–541 | HOSE , grounded, nylon; 1/4" ID; cpld 1/4 npsm(f); 50 ft (15 m) spring guards both ends | 1 |
| 101 | 214–701 | HOSE , grounded, nylon; 3/16" ID; cpld 1/4 npsm(f); 3 ft (.9 m); spring guards both ends | 1 |
| 102 | 220–955 | SPRAY GUN <i>see manual 307–614 for parts</i> | 1 |

*Extra warning tags and labels available free.

**Repair Kits Available. Motor Brushes: 220–853
Pump Packings: 222–588

PARTS DRAWING & LIST – PRESSURE CONTROL

PRESSURE CONTROL ASSEMBLY 220–455

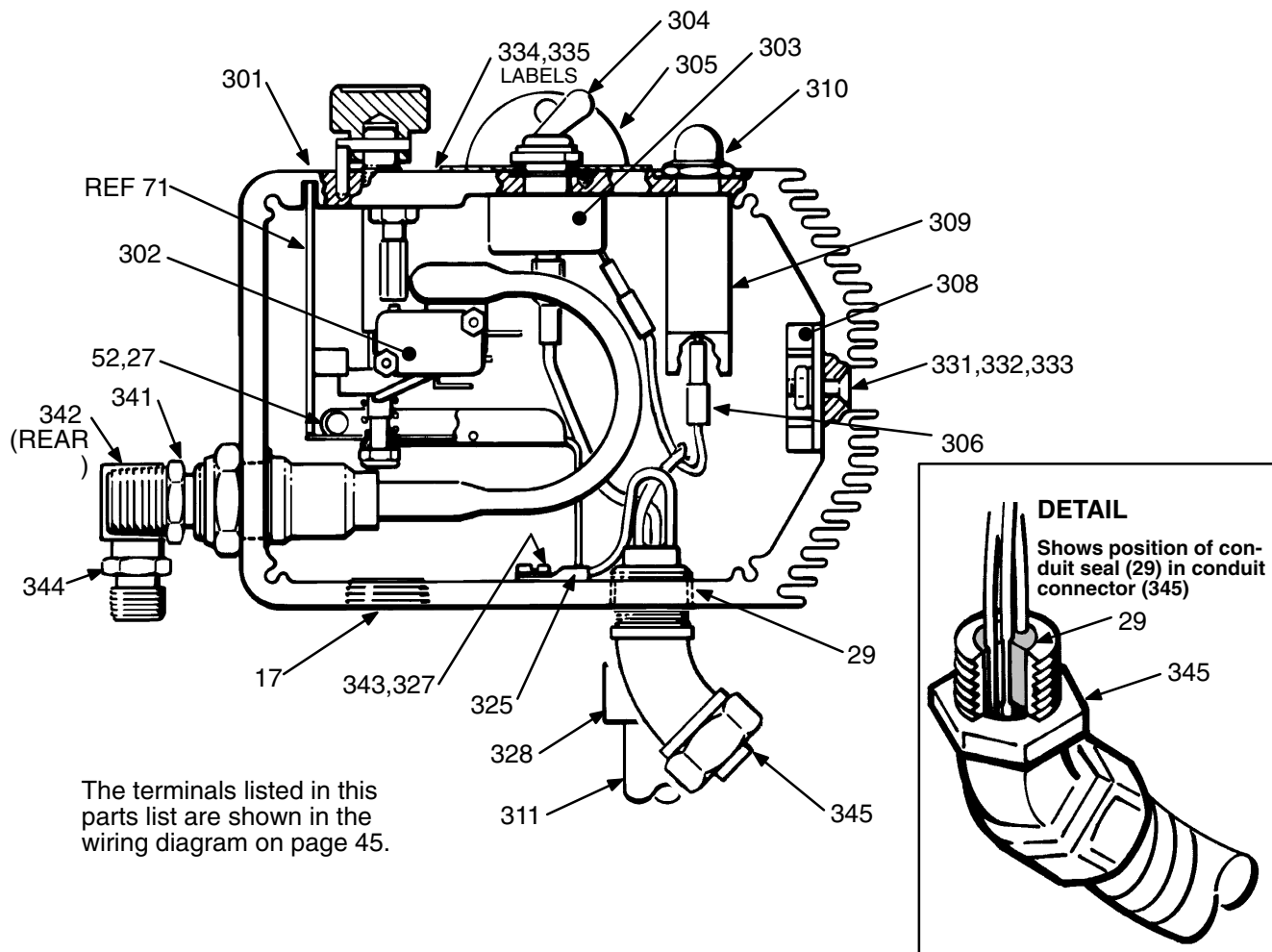
Includes all items listed below, except the terminals.

The terminals are included with the circuit board (item 71). The terminals listed in this parts list are shown on the wiring diagram on page 45.

Part numbers for items 17, 27, 29, 52, 71, 73a, 73b and 73c are shown in the drawings below and on page 45 are given on page 41 and 43.

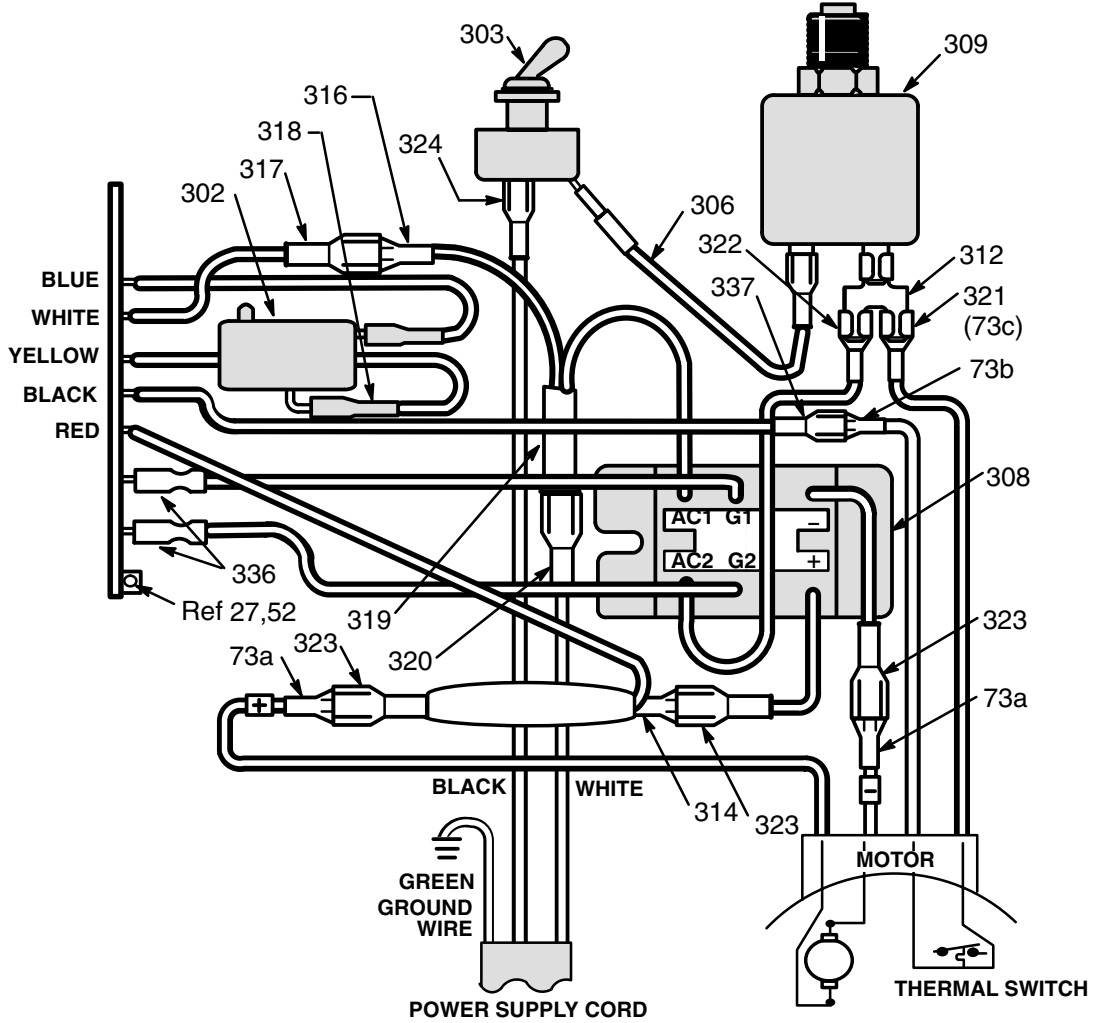
| REF NO. | PART NO. | DESCRIPTION | QTY | REF NO. | PART NO. | DESCRIPTION | QTY |
|---------|----------|-----------------------|-----|---------|-----------|--|-----|
| 302 | 180-043 | .MICROSWITCH | 1 | 325 | 102-799 | TERMINAL, ring | 1 |
| 303 | 105-679 | .ON/OFF switch | 1 | 327 | 157-021 | LOCKWASHER, no. 8, internal | 1 |
| 304 | 105-659 | .BOOT, switch | 1 | 328 | 108-295 | BUSHING, strain relief | 1 |
| 305 | 107-255 | .GUARD, locking | 1 | 331 | 101-273 | SCREW, mach; flat hd; no. 10-24 x 5/8" | 2 |
| 306 | 218-168 | JUMPER WIRE | 1 | 332 | 100-179 | NUT, hex, mscr, no. 10-24 thd | 2 |
| 308 | 218-170 | RECTIFIER, bridge | 1 | 333 | 100-718 | LOCKWASHER, internal, shakeproof, no. 10 | 2 |
| 309 | 107-256 | CIRCUIT BREAKER | 1 | 334 | 178-797** | LABEL, WARNING | 1 |
| 310 | 107-254 | BOOT, circuit breaker | 1 | 335 | 178-035** | LABEL, WARNING | 1 |
| 311 | 218-169 | CORD, power supply | 1 | 336 | 107-261 | TERMINAL, male | 2 |
| 312 | 107-268 | ADAPTER, terminal | 1 | 337 | 107-503 | TERMINAL, female | 1 |
| 314 | 107-267 | TERMINAL, female | 1 | 338 | 107-504 | TERMINAL, male | 1 |
| 315 | 107-293 | TERMINAL, female | 2 | 341 | 157-350 | ADAPTER, 3/8 npt(m) x 1/2 npt (m) | 1 |
| 316 | 107-264 | TERMINAL, male | 1 | 342 | 100-840 | ELBOW, street; 1/4 npt(m x f) | 1 |
| 317 | 107-396 | TERMINAL, male | 1 | 343 | 100-035 | SCREW, mach; slotted pan hd; no. 8 x 5/16" | 1 |
| 318 | 107-262 | TERMINAL, female | 1 | 344 | 162-453 | NIPPLE, 1/4 npt(m) x 1/4 npsm | 1 |
| 319 | 107-260 | TERMINAL, female | 1 | 345 | 108-460 | CONNECTOR, conduit | 1 |
| 320 | 107-266 | TERMINAL, female | 1 | | | | |
| 321 | 103-885 | TERMINAL, male | 1 | | | | |
| 322 | 103-886 | TERMINAL, female | 3 | | | | |
| 323 | 107-265 | TERMINAL, female | 1 | | | | |
| 324 | 107-263 | TERMINAL, female | 1 | | | | |

*Extra warning labels available free.



WIRING DIAGRAM

CIRCUIT BOARD 218-405



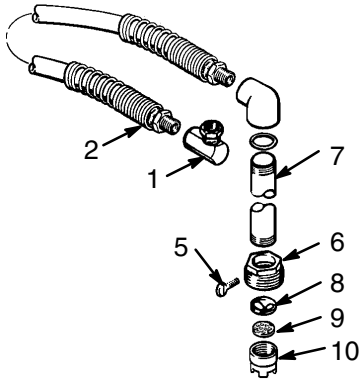
ACCESSORIES

SUCTION TUBE KIT 208-259

55 gallon (200 liter) size

Includes:

| REF NO. | PART NO. | DESCRIPTION | QTY |
|---------|----------|---------------------------|-----|
| 1 | 156-589 | UNION | 1 |
| 2 | 214-961 | HOSE, 3/4 ID; nylon; 6 ft | 1 |
| 3 | 156-591 | ELBOW | 1 |
| 4 | 156-593 | PACKING | 1 |
| 5 | 100-220 | THUMBSCREW | 1 |
| 6 | 176-684 | ADAPTER | 1 |
| 7 | 156-592 | TUBE | 1 |
| 8 | 159-100 | RETAINER | 1 |
| 9 | 161-377 | SCREEN | 1 |
| 10 | 159-101 | NUT | 1 |

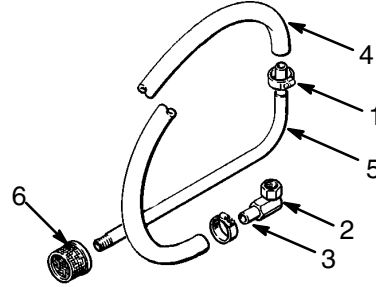


SUCTION TUBE KIT 208-920

5 gallon (19 liter) size

Includes:

| REF NO. | PART NO. | DESCRIPTION | QTY |
|---------|----------|-------------|-----|
| 1 | 101-818 | CLAMP, 90° | 1 |
| 2 | 160-327 | UNION, 90° | 1 |
| 3 | 170-705 | ADAPTER | 1 |
| 4 | 170-706 | HOSE, 48" | 1 |
| 5 | 170-957 | TUBE, 1 | 1 |
| 6 | 181-072 | STRAINER | 1 |



TECHNICAL DATA

| | |
|--------------------------|---|
| Power Requirements | 120 VAC, 60Hz, 1 phase, 15 amp minimum |
| Working Pressure Range | 0–3000 psi (0 – 210 bar) |
| Cycles/Gallon (liter) | 260 (70) |
| Maximum Delivery | 0.85 GPM (3.2 liter/min) |
| Power Cord | No. 14 AWG, 3 wire, 8'6" (2.6 m) |
| Inlet Paint Strainer | 16 mesh (1190 micron) Stainless Steel Screen, reusable |
| Outlet Paint Filter | 60 mesh (250 micron) Stainless Steel Screen, reusable |
| Pump Inlet Size | 3/4 npt(m) with 20° ID chamfer |
| Fluid Outlet Size | 1/4 npsm from fluid filter |
| Wetted Parts: | |
| <i>Displacement Pump</i> | Carbon steel, Polyurethane, Polyethylene, Delrin®, Leather |
| <i>Filter</i> | Aluminum, Carbon steel, Stainless Steel, |

NOTE: Delrin®

DIMENSIONS

| | |
|----------------------------|-------------------|
| Weight (dry w/o packaging) | 95 lb (43 Kg) |
| Height | 28 in. (711 mm) |
| Length | 26.0 in. (660 mm) |
| Width | 22.5 in. (572 mm) |

GRACO PHONE NUMBERS

TO PLACE AN ORDER, contact your Graco distributor, or call Graco, 7:00 a.m. to 6:00 p.m. Central Time:

1-800-423-8594 Toll Free
1-612-623-6921 in Minnesota

FOR TECHNICAL ASSISTANCE, service repair information or answers about the application of Graco equipment, call the following number, 7:00 a.m. to 6:00 p.m. Central Time:

1-800-543-0339 Toll Free
1-612-623-6922 in Minnesota

THE GRACO WARRANTY AND DISCLAIMERS

WARRANTY

Graco warrants all equipment manufactured by it and bearing its name to be free from defects in material and workmanship on the date of sale by an authorized Graco distributor to the original purchaser for use. As purchaser's sole remedy for breach of this warranty, Graco will, for a period of twelve months from the date of sale, repair or replace any part of the equipment proven defective, with the exception of defects in parts on the drive train/gear box on EM and GM sprayers or power train on EH & GH sprayers, which will be repaired or replaced for twenty-four months from the date of sale for Gas-Hydraulic (GH) and Gas Mechanical (GM) sprayers and for thirty-six months from the date of sale for Electric-Mechanical (EM) and Electric-Hydraulic (EH) Sprayers. This warranty applies only when the equipment is installed, operated and maintained in accordance with Graco's written recommendations.

This warranty does not cover, and Graco shall not be liable for, any malfunction, damage or wear caused by faulty installation, misapplication, abrasion, corrosion, inadequate or improper maintenance, negligence, accident, tampering, or substitution of non-Graco component parts. Nor shall Graco be liable for malfunction, damage or wear caused by the incompatibility with Graco equipment of structures, accessories, equipment or materials not supplied by Graco, or the improper design, manufacture, installation, operation or maintenance of structures, accessories, equipment or materials not supplied by Graco.

This warranty is conditioned upon the prepaid return of the equipment claimed to be defective to an authorized Graco distributor for verification of the claim. If the claimed defect is verified, Graco will repair or replace free of charge any defective parts. The equipment will be returned to the original purchaser transportation prepaid. If inspection of the equipment does not disclose any defect in material or workmanship, repairs will be made at a reasonable charge, which charges may include the costs of parts, labor and transportation.

DISCLAIMERS AND LIMITATIONS

THE TERMS OF THIS WARRANTY CONSTITUTE PURCHASER'S SOLE AND EXCLUSIVE REMEDY AND ARE IN LIEU OF ANY OTHER WARRANTIES (EXPRESS OR IMPLIED), INCLUDING WARRANTY OF MERCHANTABILITY OR WARRANTY OF FITNESS FOR A PARTICULAR PURPOSE, AND OF ANY NON-CONTRACTUAL LIABILITIES, INCLUDING PRODUCT LIABILITIES, BASED ON NEGLIGENCE OR STRICT LIABILITY. EVERY FORM OF LIABILITY FOR DIRECT, SPECIAL OR CONSEQUENTIAL DAMAGES OR LOSS IS EXPRESSLY EXCLUDED AND DENIED. IN NO CASE SHALL GRACO'S LIABILITY EXCEED THE AMOUNT OF THE PURCHASE PRICE. ANY ACTION FOR BREACH OF WARRANTY MUST BE BROUGHT WITHIN TWO (2) YEARS OF THE DATE OF SALE.

EQUIPMENT NOT COVERED BY GRACO WARRANTY

GRACO MAKES NO WARRANTY, AND DISCLAIMS ALL IMPLIED WARRANTIES OF MERCHANTABILITY AND FITNESS FOR A PARTICULAR PURPOSE, WITH RESPECT TO ACCESSORIES, EQUIPMENT, MATERIALS, OR COMPONENTS SOLD BUT NOT MANUFACTURED BY GRACO. These items sold, but not manufactured by Graco (such as electric motor, switches, hose, etc.) are subject to the warranty, if any, of their manufacturer. Graco will provide purchaser with reasonable assistance in making any claim for breach of these warranties.

Factory Branches: Atlanta, Dallas, Detroit, Los Angeles, West Caldwell (N.J.)

Subsidiary and Affiliate Companies: Canada; England; Switzerland; France; Germany; Hong Kong; Japan

GRACO INC. P.O. BOX 1441 MINNEAPOLIS, MN 55440-1444

PRINTED IN U.S.A. 307-786 7-86 Revised 5-89