

LineLazer IV 250_{DC} Self-Propelled Line Striper

334054E
EN

**For the application of line striping materials.
For professional use only. For outdoor use only.
Not for use in hazardous locations or explosive atmospheres.**

*Maximum Operating Speed: 10 mph (16 kph)
Maximum Operating Pressure: 3300 psi (22.8 MPa, 228 bar)*



IMPORTANT SAFETY INSTRUCTIONS

Read all warnings and instructions in this manual and the engine manual.
Be familiar with the controls and the proper usage of the equipment.
Save these instructions.

Model	Guns	Series	Pressurized Bead System	Description
24U242	2	B	No	LLIV 250DC
24U243	2	B	Yes	LLIV 250DC
24U810	3	B	No	LLIV 250DC
24U820	3	B	Yes	LLIV 250DC

Related Manuals:	
334053	Repair
333388	Operation
311254	Gun
309277	Pump
312307	Auto-Layout Applications Methods
332230	Pressurized Bead System (PBS)

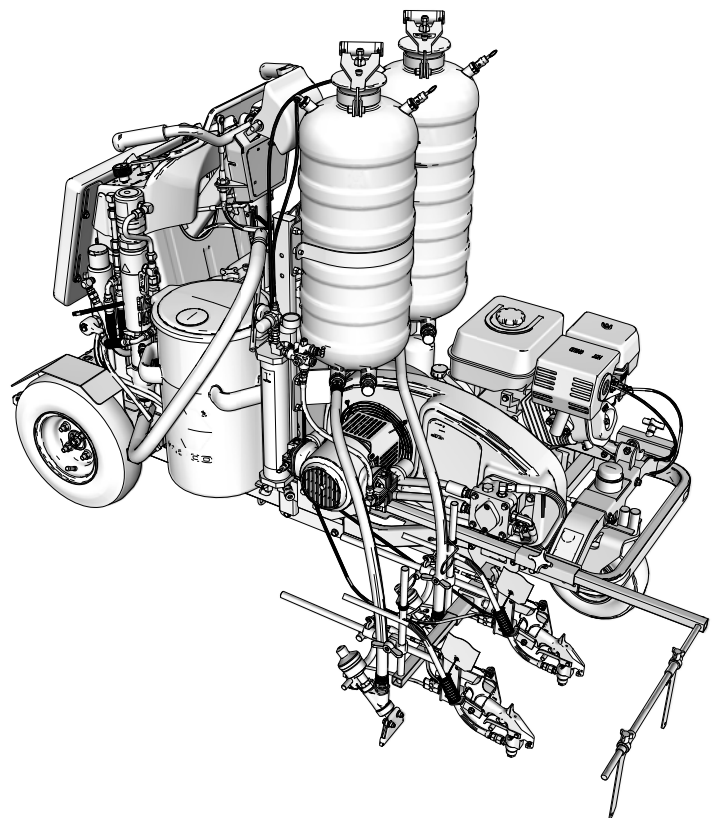
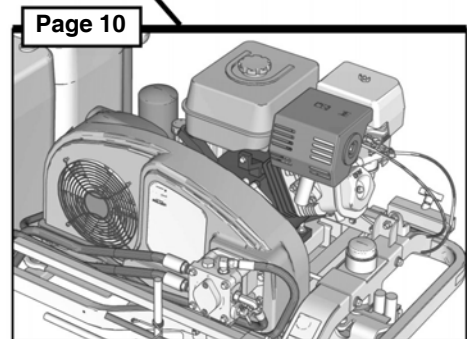
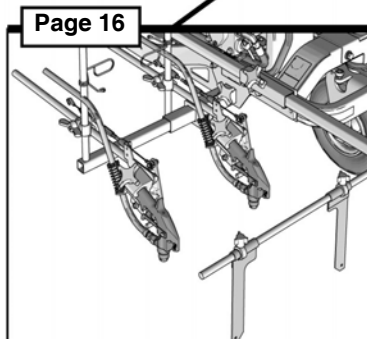
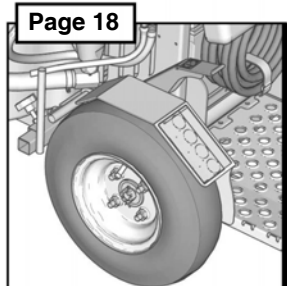
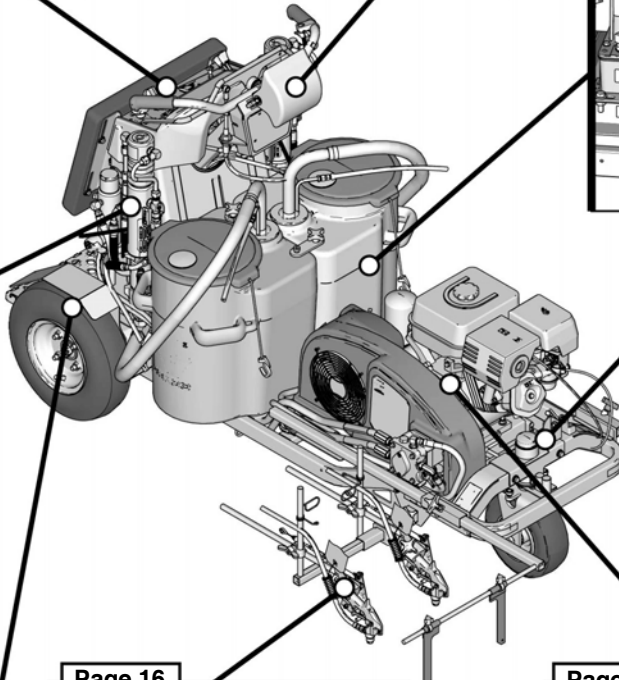
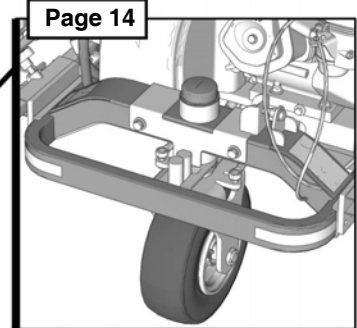
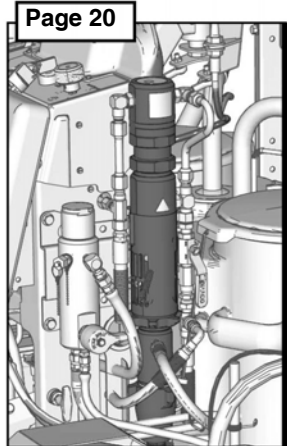
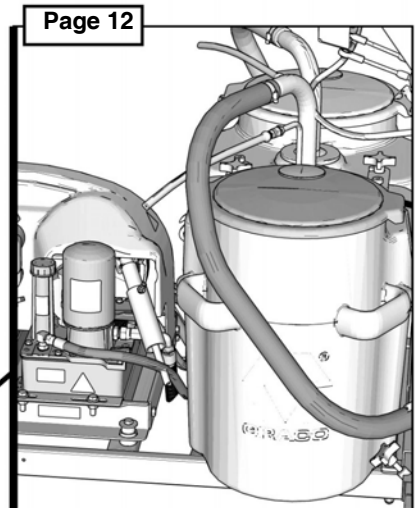
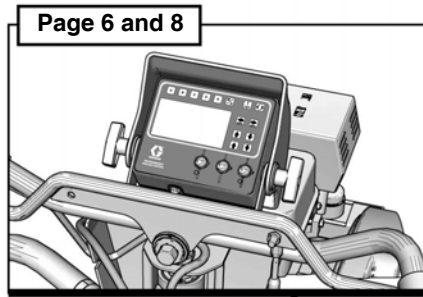
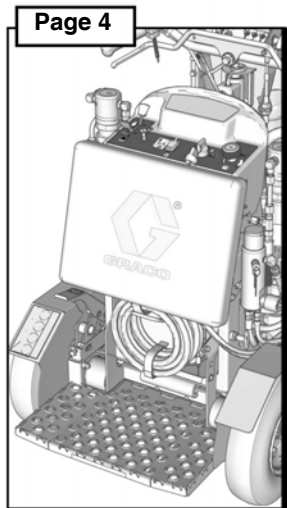
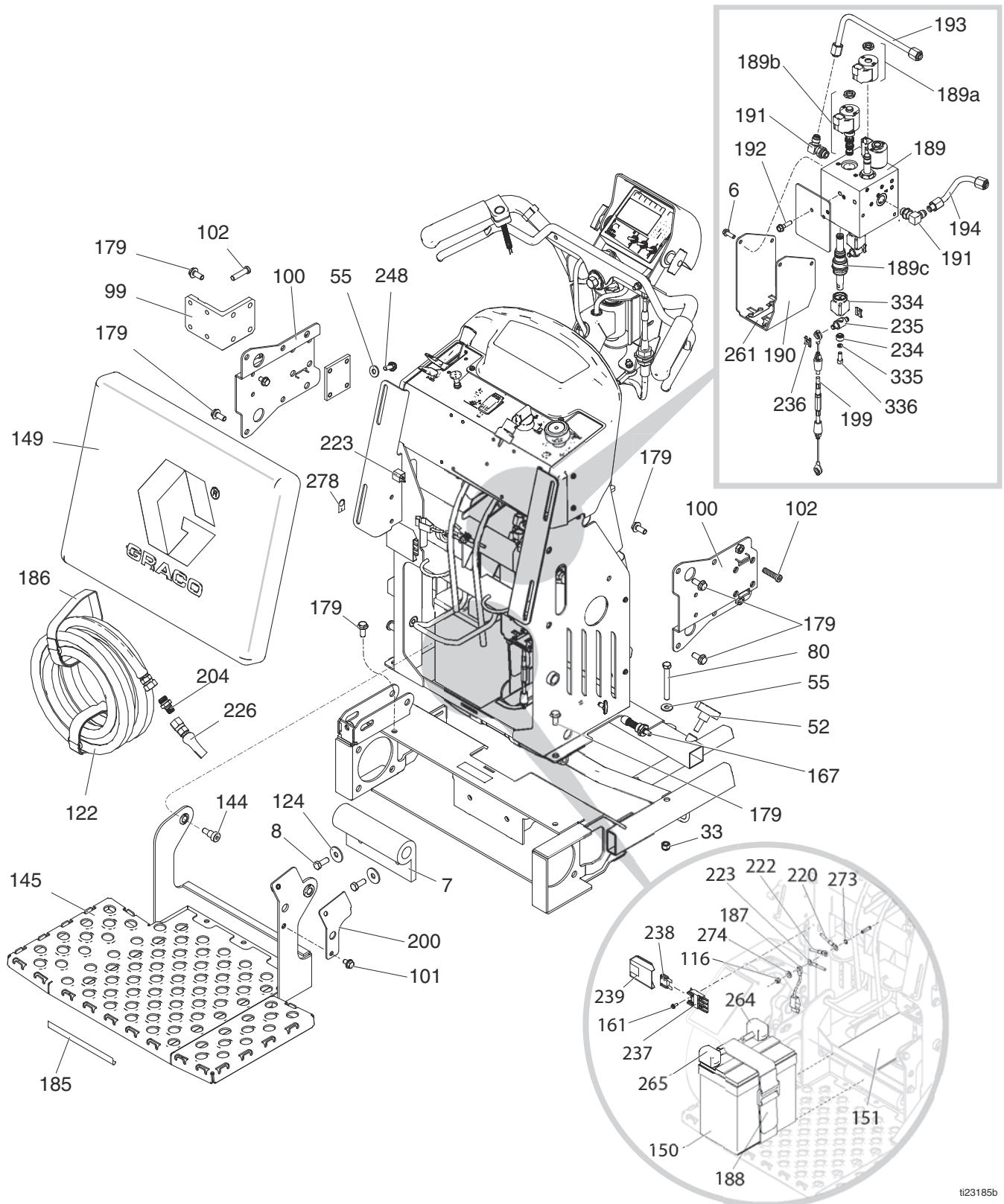


Table of Contents



t124019a

Parts

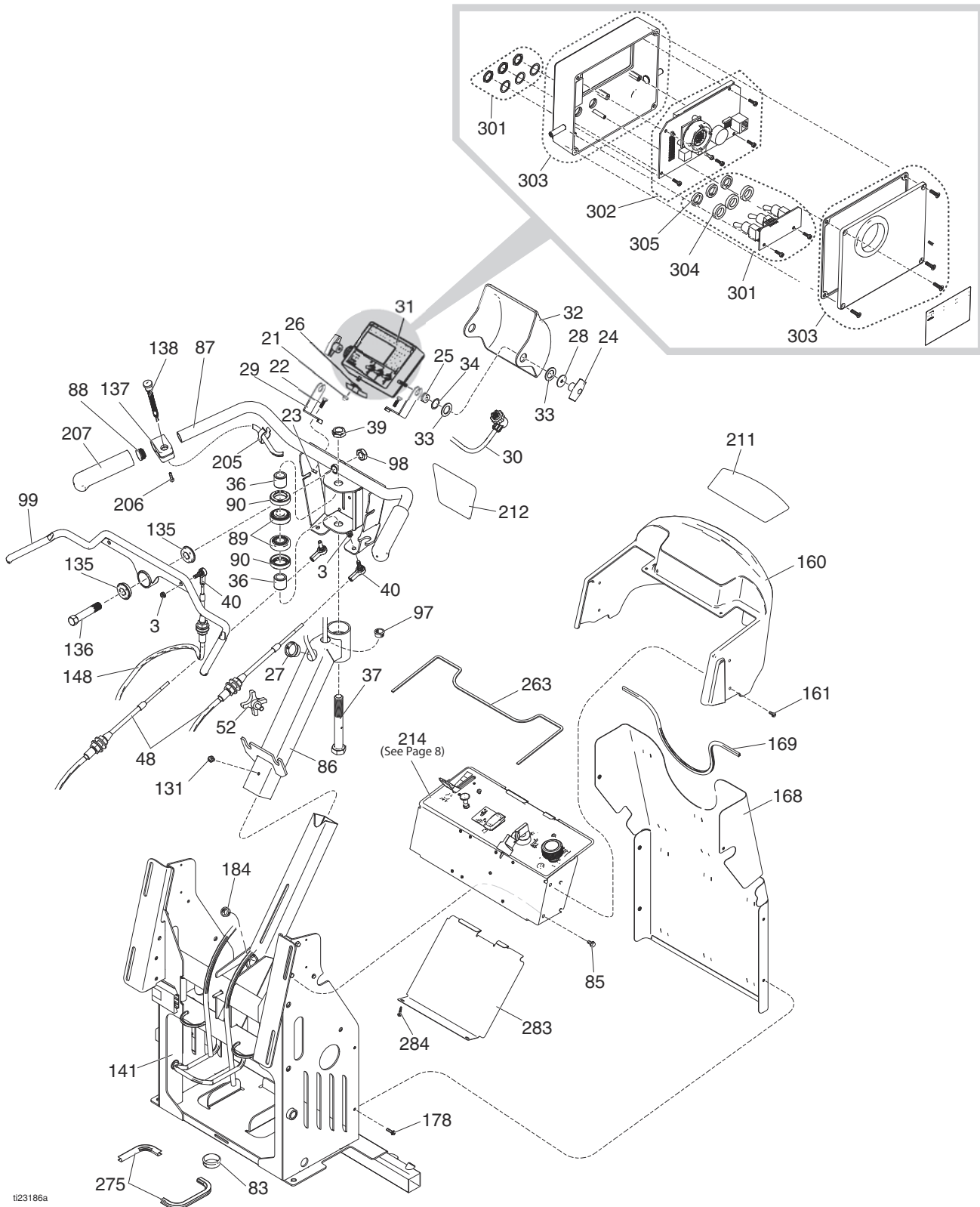


#23185b

Parts List

Ref.	Part	Description	Qty.	Ref.	Part	Description	Qty.
6	260212	SCREW, hex washer hd, thd form	4	189c	24V560	KIT, repair, actuator, piston (includes 234, 235, 236, 334, 335, 336)	1
7	16M279	BUMPER, platform	1				
8	100101	SCREW, cap, hex hd	2	190	16W373	BRACKET, manifold, hydraulic, gun	1
33	101566	NUT, lock	2	191	116829	FITTING, 90 degree	2
52	111145	KNOB, pronged	2	192	15C753	SCREW, mach, hex wash hd	2
55	100023	WASHER, flat	6	193	24M625	TUBE, supply, hydraulic	1
80	120721	SCREW, cap, 3/8-16, hexhd	2	194	24M626	TUBE, supply, hydraulic	1
99	16W544	BRACKET, mount, second pump, LL250, paint	1	199	24N492	KIT, repair, gun cable (includes 236)	1
100	16M717	BRACKET, mount, pump, LL250, paint	2	200	16N380	BRACKET, pin ramp	1
101	111801	SCREW, cap, hex hd	1	204	196177	ADAPTER, nipple	2
102	107210	SCREW	8	220	16X078	HARNESS, wire	1
116	102040	NUT, lock, hex	1	222	16N541	WIRE, negative battery	1
122	191239	HOSE, coupled, 3/8 in. x 11 ft	2	223	16N540	HARNESS, light connection	1
124	108851	WASHER, flat	2	226	245798	KIT, repair, hose	3
144	126108	SCREW, shoulder, skt hd	2	234	16W656	BUSHING, manifold, cable, gun	3
145	24L909	FRAME, platform, painted, LL250	1	235	16W655	ADAPTER, manifold, cable, gun	3
149	278421	PAD, foam	1	236	126111	RETAINER, circlip, external, 8mm	6
150	115753	BATTERY, 33 AH, sealed	1	237	126095	HOLDER, fuse	1
151	801972	PAD, battery	1	238	126096	FUSE, 30A	1
161	118444	SCREW, mach, slot hex wash hd	1	239	126097	COVER, fuse holder	1
167	24D618	PIN, handle, Grindlazer	1	248	110963	SCREW, cap, flange head	4
179	111192	SCREW, cap flang hd	12	261	16Y454	LABEL, gun indicator	1
185	290159	LABEL, reflective	1	264	801958	PROTECTOR, terminal, red	1
186	114271	STRAP, retaining	2	265	801959	TERMINAL, protector, black	1
187	237686	WIRE, ground assembly w/ clamp	1	273	558685	WASHER, 1/4 external tooth lock	1
188	126071	STRAP, battery	1	274	110755	WASHER, plain	1
189	16W372	MANIFOLD, hydraulic, three pis- ton	1	278	16P138	LABEL, energy source	2
189a	24N577	KIT, repair, coil, hydraulic manifold	1	334	16P450	BELLOWS, constant volume	3
189b	24N490	KIT, repair, solenoid (includes 189a)	1	335	105510	WASHER, lock, spring, (hi collar)	3
				336	126242	SCREW, cap, sch	3

Parts



ti23186a

Parts List

Ref.	Part	Description	Qty.	Ref.	Part	Description	Qty.
3	102393	NUT, lock	3	99	24M196	HANDLE, control, forward/reverse	1
21	116424	NUT	1	131	112798	SCREW, thread forming, hex hd	1
22	100022	SCREW, cap, hex hd	2	135	119532	BEARING, flanged	2
23	102040	NUT, lock	2	136	15E780	PIN, fork	1
24	115480	KNOB, T-handle	2	137	15K162	BLOCK	1
25	118886	GROMMET, isolator	2	138	16N401	SWITCH, push button	1
26	108868	CLAMP	1	141	16M702	FRAME, upright, LL250, paint	1
27	127372	BUSHING	1	148	16M274	CABLE, forward/reverse, push/pull	1
28	159346	WASHER	2	160	16X069	COVER, display, LL250, painted	1
29	16X072	BRACKET, control, mount	2	161	118444	SCREW, mach, slot hex wash hd	6
30	24U233	CABLE, 18 conductor	1	168	24N496	KIT, repair, shield, paint (includes 169)	1
31	24U234	BOX, control	1	169	114225	TRIM, edge protection	1
32	17B211	COVER, control box, LL250, painted	1	178	107439	SCREW, mach, hex hd	6
33	116477	WASHER, flat, nylon	4	184	127372	BUSHING, strain relief	1
34	116038	WASHER, wave, spring	2	205	178342	CLIP, spring	1
36	193658	SPACER, seal	2	206	C20004	SCREW, cap	1
37	113471	SCREW, cap, hex hd	1	207	114659	GRIP, handle	2
39	112405	NUT, lock	1	211	16X127	LABEL, brand, LineLazer, dash	1
40	125792	BALL, joint, rod end	3	212	16X125	LABEL, brand, LineLazer, top	1
48	16M273	CABLE, steering push/pull, LL250	2	214	24U235	PLATE, control complete, see page 8	1
52	111145	KNOB, pronged	1	263	16N548	GASKET, control	1
83	113677	BUSHING, nylon	3	275	126215	TRIM, edge, protection	1
85	107257	SCREW, thd forming	6	283	16P554	PLATE, cover, control board	1
86	24N494	KIT, repair, support, steering (includes 89, 90)	1	284	16M007	SCREW, drill, hex washer head	2
87	24L900	BAR, handle, LL250	1	301	24V564	KIT, board, toggle switch	1
88	120151	RETAINER, caplug	2	302	24V565	KIT, display, repair	1
89	113485	BEARING, cup/cone	2	303	24V566	KIT, switch, membrane	1
90	115503	SEAL, grease	2	304	16Y924	SPACER, toggle switch	3
97	119569	BUSHING, strain relief	1	305	127543	SEAL, toggle switch	3
98	119554	NUT, lock, nylon, thin pattern	1				

Parts List

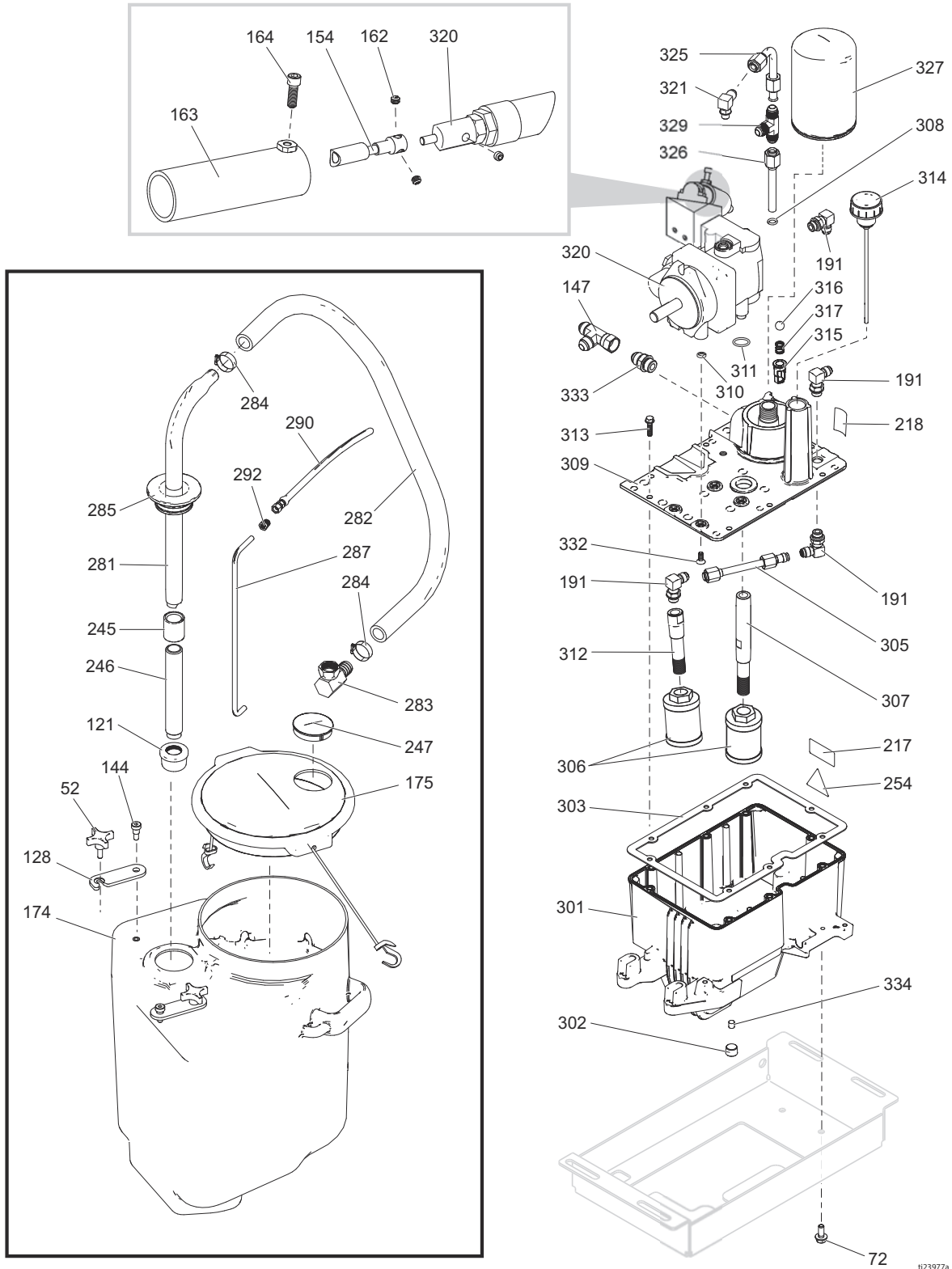
Ref.	Part	Description	Qty.	Ref.	Part	Description	Qty.
1	16X077	PLATE, control, LL250	1	11	17C064	WIRE, positive	1
2	24V561	KIT, repair, control board (includes 9)	1	152	16Y411	BUSHING, pressure control mount	1
3	16X074	LABEL	1	153	119775	NUT, panel	1
4	17C063	SWITCH, rocker, SPST	1	154	24V563	SHAFT, flexible	1
5	16M508	CABLE, choke	1	156	115999	RING, retaining	1
6	16M509	CONTROL, throttle	1	157	16Y408	KNOB, pressure control	1
7	16N549	GASKET, throttle	1	158	101962	SCREW, set, sch, 1/4-20	1
8	109466	NUT, lock, hex	2	159	15A464	LABEL, control	1
9	111839	SCREW, mach, pnh, sems	8		24U235	PLATE, control (includes 1, 2, 3, 4, 5, 6, 7, 8, 9, 10, 11)	1
10	16X075	SWITCH, ignition	1				

Parts List

Ref.	Part	Description	Qty.	Ref.	Part	Description	Qty.
1	24L896	FRAME, painted, LL250	1	79	112406	SCREW, cap, hex hd	2
3	102393	NUT, lock	1	80	120721	SCREW, cap, 3/8-16, hexhd	7
5	108868	CLAMP, wire	1	81	108481	SCREW, cap, hex hd	5
6	260212	SCREW, hex washer hd, thd form	8	82	100004	SCREW, cap, hex hd	6
9	111040	NUT, lock, insert, nylock, 5/16	2	83	113677	BUSHING, nylon	1
22	16M271	HOSE, coupled, assembly, LL250	2	84	16M715	BRACKET, mount, belt guard, LL250	1
33	101566	NUT, lock	3				
40	125792	BALL, joint, rod end	1	85	107257	SCREW, thd forming	1
51	114982	SCREW, cap, flng hd	4	124	108851	WASHER, plain	4
53	16M072	FRAME, mount, engine, paint	1	125	119695	DAMPENER, engine mount	4
54	24V562	KIT, repair, engine, GX390 (includes 54a, 60, 202, 241)	1	126	24N498	KIT, repair, guard, belt (includes 6, 127, 242, 282, 300)	1
54a	24N502	KIT, repair, rectifier, voltage	1	127	117284	GRILL, fan guard	1
55	100023	WASHER, flat	11	139	15R309	ROD, standoff, 1/4 in. od x 2.75 in. LG	1
56	16M075	SPACER, clutch, 1.00 id x .5 thk	1	140	111006	SCREW, cap	2
57	125877	CLUTCH, electric, LL250	1	158	101962	SCREW, set, 1/4-20	2
58	16M076	WASHER, 7/16 id x .25 thk	1	166	16M276	HOSE, coupled, feed line, LL250	2
59	116596	SCREW, cap, hex head	1	190	124941	FITTING, long elbow, hydraulic	1
60	125919	KEY, parallel, square, 1/4	1	191	116829	FITTING, 90 degree	1
61	16M077	PULLEY, double	1	202	126072	KIT, Honda remote choke (not shown)	1
62	24N499	KIT, repair, bracket, hydro pump (includes 75, 76, 77, 242)	1	213	16X126	LABEL, brand, LineLazer, DC, side	1
63	247930	KIT, repair, hydraulic pump	1				
64	16M078	PULLEY, 5 o.d. x 15mm	1	219	189892	LABEL, Graco logo	1
65	125793	BELT, vee, tri-power, AX44	1	241▲	194126	LABEL, warning	1
66	125876	BELT, vee, tri-power, AX26	1	242▲	16M768	LABEL, pinch hazard iso	2
67	117222	KEY, square	1	275	126215	TRIM, edge, protection	1
68	16M084	TRAY, hyd reservoir, LL250, paint	1	282	16P547	PLATE, backer, belt guard, paint	2
70	16U205	PULLEY, fan	1	300	260387	SCREW, pan hd, x recess	4
71	120087	SCREW, set, 1/4 in. x 1/2 in.	2	301	116876	WASHER, flat	4
75	100678	SCREW, cap hex hd	1	302	116969	NUT, lock	4
76	100521	SCREW, cap hex hd	1				
77	110996	NUT, hex, flange head	2				
78	16M082	BRACKET, clutch, anti-rotation	1				

▲ Replacement warning labels may be ordered free of charge.

Parts



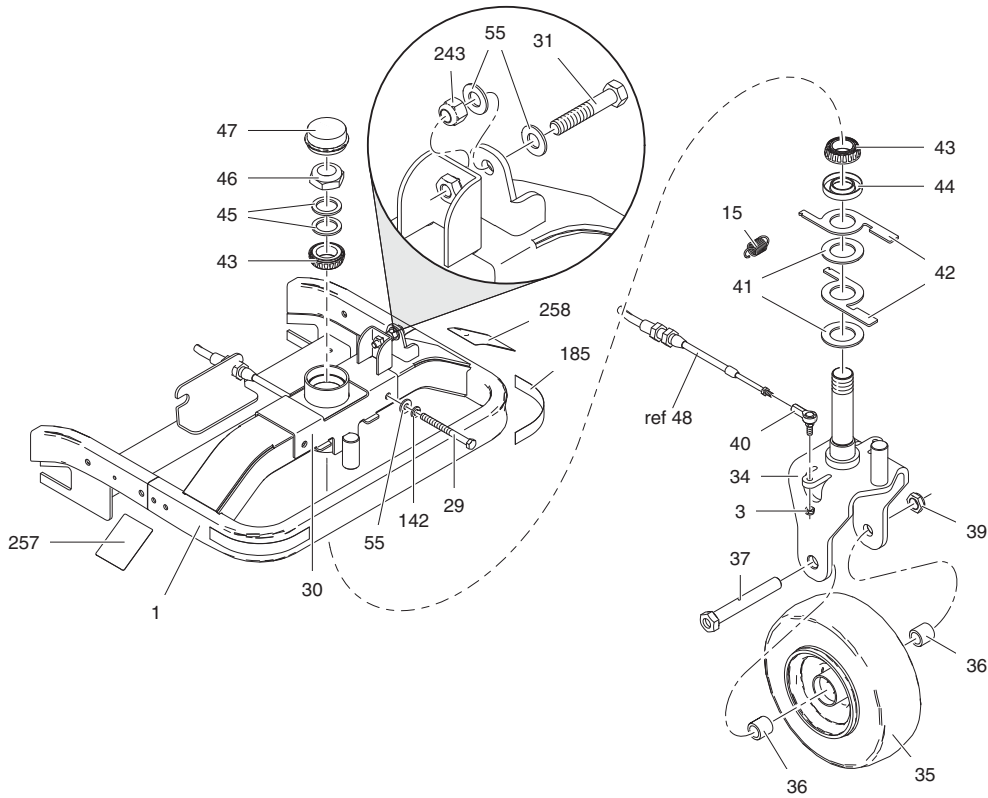
Parts List

Ref.	Part	Description	Qty.	Ref.	Part	Description	Qty.
52	111145	KNOB, pronged	2	302	101754	PLUG, pipe	1
72	125794	SCREW, taptite, hex washer hd	2	303	120604	GASKET, reservoir	1
121	181072	KIT, repair, strainer	2	305	24K967	TUBE, supply, hydraulic	1
128	16X081	BRACKET, dual tank retaining	2	306	116919	FILTER	2
144	126108	SCREW, shoulder, socket head	2	307	15E587	TUBE, suction	1
147	124770	FITTING, #8 jic tee, swivel	1	308	154594	PACKING, o-ring	1
154	24V563	KIT, repair, shaft, flexible (includes 162)	1	309	16M160	COVER, reservoir, LL250, painted	1
162	112303	SCREW, set, sch	2	310	107188	PACKING, o-ring	4
163	15C958	GUARD, control, pressure	1	311	156401	PACKING, o-ring	1
164	112166	SCREW, cap, sch	1	312	16M112	TUBE, suction, hydraulic, LL250	1
174	278720	RESERVOIR, 15 gallon	2	313	119426	SCREW, mach, hex washer hd	8
175	24V687	KIT, pail, lid assembly	2	314	120726	CAP, breather, filler	1
191	116829	FITTING, 90 degree	4	315	198841	RETAINER, ball, pressure bypass	1
217	15K440	LABEL, brand, GH/EH cooling	1	316	100084	BALL, metallic	1
218	16P142	LABEL, hydraulic only icon	1	317	116967	SPRING, compression	1
245	114967	COUPLING, pipe, 1 in.	2	320	16X083	KIT, repair, pump, 250SPS (includes 310, 311, 332)	1
246	189674	TUBE, intake	2	321	110792	FITTING, elbow, male, 90 deg	1
247	127375	PLUG, 3"	2	325	17A581	KIT, repair, case drain (includes 308)	1
254▲	189285	LABEL, caution	1	326	17A582	TUBE, hydraulic case, drain	1
281	15F149	TUBE, suction	2	327	246173	KIT, repair, oil filter (includes 315, 316, 317)	1
282	194306	HOSE, fluid	2	329	127686	FITTING, tee	1
283	198119	FITTING, elbow, barbed	2	332	117471	SCREW, mach, hex flat head	4
284	101818	CLAMP, hose	4	333	120184	FITTING, hydraulic	1
285	278722	GASKET, pail	2	334	116618	MAGNET	1
287	16X071	TUBE, drainline	2				
290	248008	HOSE, cpld, 1/4 in. x 44 in.	2				
292	196180	BUSHING	2				
301	15J513	TANK, reservoir, blue	1				

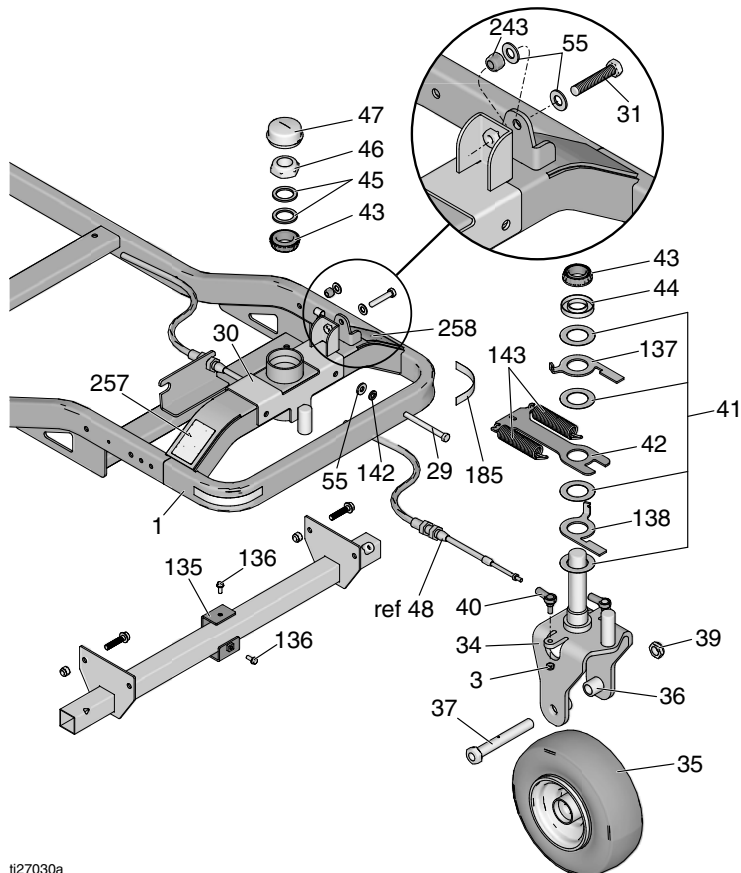
▲ Replacement warning labels may be ordered free of charge.

Parts (Front Wheel)

Series A



Series B



Parts List - Series A

Ref.	Part	Description	Qty.
1	24L896	FRAME, painted, LL250	1
3	102393	NUT, lock	2
15*	15V264	SPRING, extension	1
29	113743	SCREW, cap, hex hd	2
30	24L902	ADJUSTER, caster, weldment, LL250	1
31	126204	SCREW, cap, hex hd	1
34	24L897	CASTER, painted, LL250	1
35	16W284	WHEEL, foam filled (LL250 SPS, DC)	1
36	193658	SPACER, seal	2
37	113471	SCREW, cap, hex hd	1
39	112405	NUT, lock	1
40	125792	BALL, joint, rod end	2
41*	125893	WASHER, thrust, 1-1/2 in. id	2
42*	16M267	LEVER, self centering, LL250	2
43	126112	BEARING, tapered 1 1/4, cone	2
44	125892	SEAL, bearing, 1-1/4 shaft	1
45	126064	SHIM, caster	2
46	125890	NUT, 1 1/4-12 unf	1
47	126063	CAP, dust	1
55	100023	WASHER, flat	4
142	100133	WASHER, lock, 3/8	2
185	290159	LABEL, reflective	2
243	101714	NUT, lock	1
257	16P143	LABEL, release hydraulic drive	1
258	16P144	LABEL, caster wheel adjustment	1

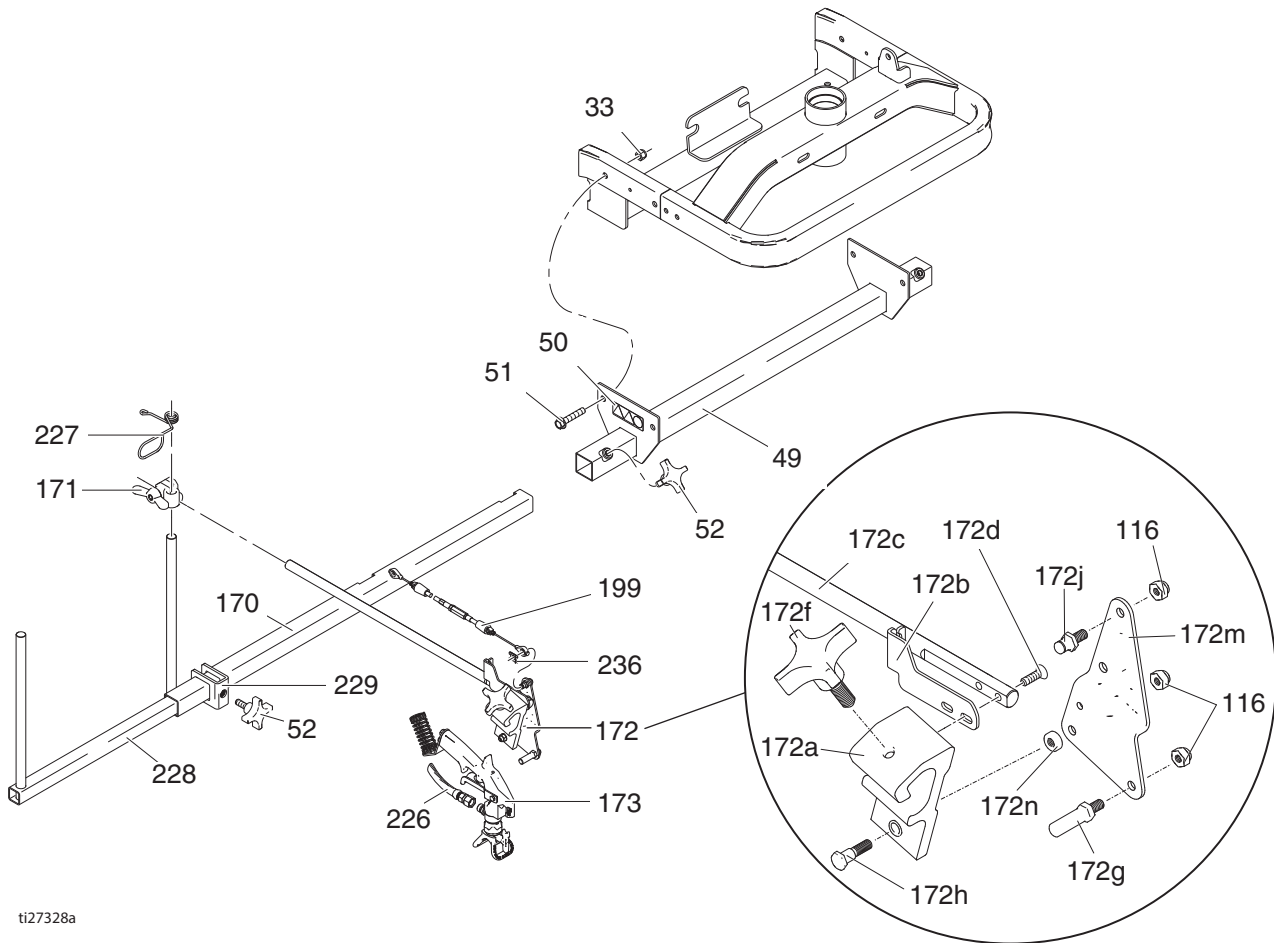
* Replace with upgrade Kit 24Y509

Parts List - Series B

Ref.	Part	Description	Qty.
1	24L896	FRAME, painted, LL250	1
3	102393	NUT, lock	2
29	113743	SCREW, cap, hex hd	2
30	24L902	ADJUSTER, caster, weldment, LL250	1
31	126204	SCREW, cap, hex hd	1
34	24L897	CASTER, painted, LL250	1
35	16W284	WHEEL, foam filled (LL250 SPS, DC)	1
36	193658	SPACER, seal	2
37	113471	SCREW, cap, hex hd	1
39	112405	NUT, lock	1
40	125792	BALL, joint, rod end	2
41*	17H372	WASHER, thrust, 1-1/2 in. id	4
42*	17H377	BRACKET, steering, self centering	1
43	126112	BEARING, tapered 1 1/4, cone	2
44	125892	SEAL, bearing, 1-1/4 shaft	1
45	126064	SHIM, caster	2
46	125890	NUT, 1 1/4-12 unf	1
47	126063	CAP, dust	1
55	100023	WASHER, flat	4
135*	17H386	BRACKET	1
136*	260213	SCREW	2
137*	17H387	LEVER, upper	1
138*	17H388	LEVER, lower	1
143*	17H374	SPRING	2
142	100133	WASHER, lock, 3/8	2
185	290159	LABEL, reflective	2
243	101714	NUT, lock	1
257	16P143	LABEL, release hydraulic drive	1
258	16P144	LABEL, caster wheel adjustment	1

* Included in Kit 24Y509

Parts (Gun Mount)

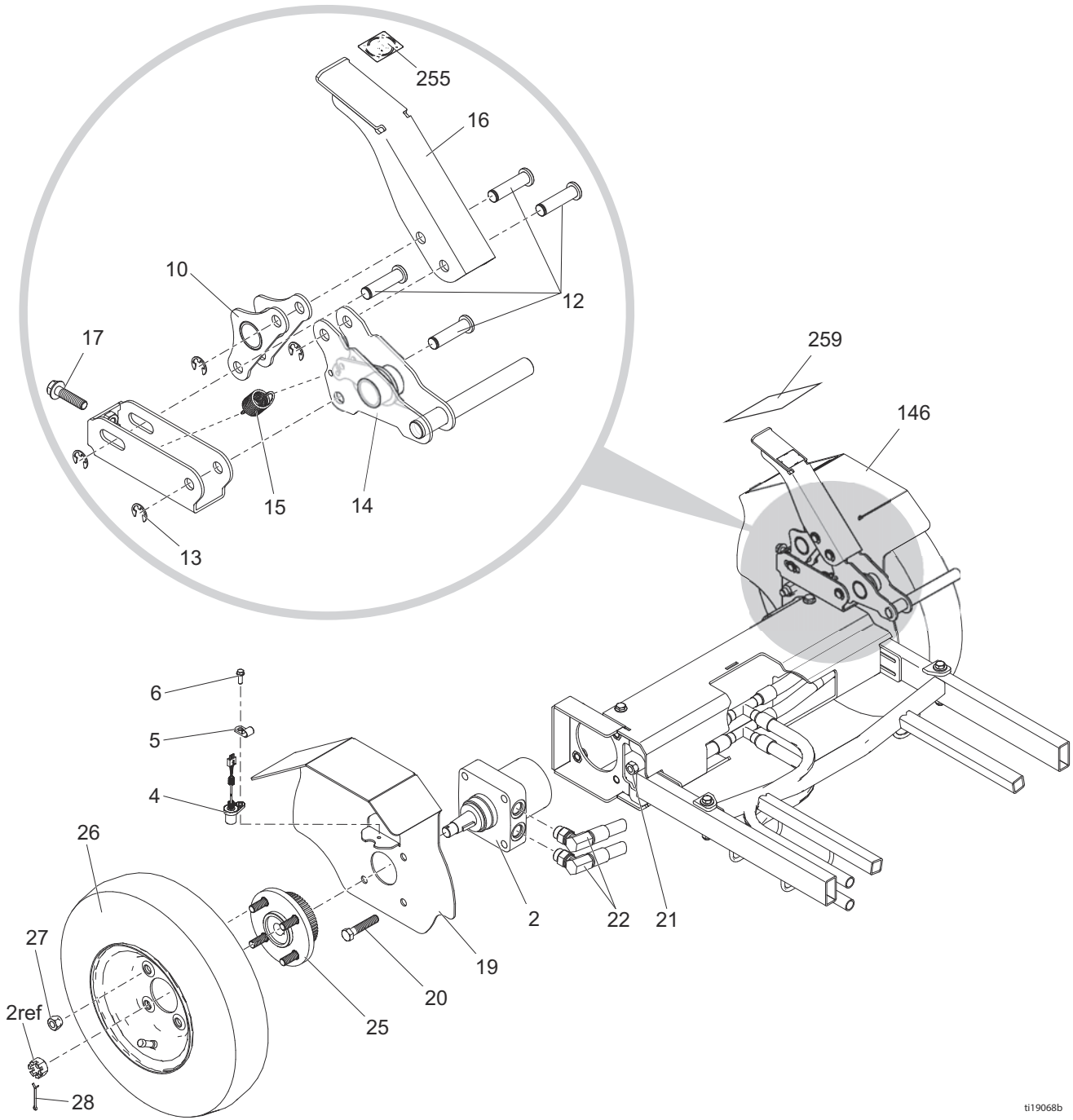


Parts List

Ref.	Part	Description	Qty.	Ref.	Part	Description	Qty.
9	111040	NUT, lock, insert, nylock, 5/16	4	172d	119647	SCREW, cap, socket, flthd	2
11	24N170	BRACKET, mount, pointer complete	2	172f	15F750	KNOB, holder, gun	1
18	24N171	ARM, pointer, complete	1	172g	15F209	STUD, pull, trigger	1
32	16C943	INDICATOR, pointer	2	172h	24Y991	KIT, pivot	1
33	101566	NUT, lock	4	172j	16N788	STUD, cable, gun, circlip	1
49	24N350	BRACKET, gun arm	1	172k	119664	BEARING, sleeve	1
50▲	16P136	LABEL, injection read manual iso	2	172m	15F214	LEVER, actuator	1
51	114982	SCREW, cap, flng hd	4	172n	24Y991	KIT, pivot	1
52	111145	KNOB, pronged	2	173	248157	KIT, accessory, gun, flex	2
86	114653	SCREW, cap, flange hd	4	199	16M671	CABLE, gun, solenoid	2
87	114965	WASHER, spring, wave	2	226	245798	KIT, repair, hose	2
88	114685	COLLAR, screw, set	2	227	188135	GUIDE, cable	2
89	114966	KNOB, pronged	2	228	224096	BRACKET, support, extension	1
90	100527	WASHER, plain	4	229	224071	CLAMP, extension	1
116	102040	NUT, lock, hex	3	236	126111	RETAINER, circlip, external, 8mm	2
170	224052	BRACKET, support gun	1	310	16Y445	CHAIN, indicator	2
171	287566	KIT, clamp	2	311	116252	SCREW, #10 tapping, Phillips	2
172	24M638	BAR, gun holder, LLIV 250 SPS	2	312	120317	NUT, wing	2
172a	287569	KIT, repair, gun holder (includes 172f, 172k)	1				
172b	16M850	BRACKET, cable, gun,	1				
172c	16P047	ARM, holder, gun	1				

▲ Replacement warning labels may be ordered free of charge.

Parts



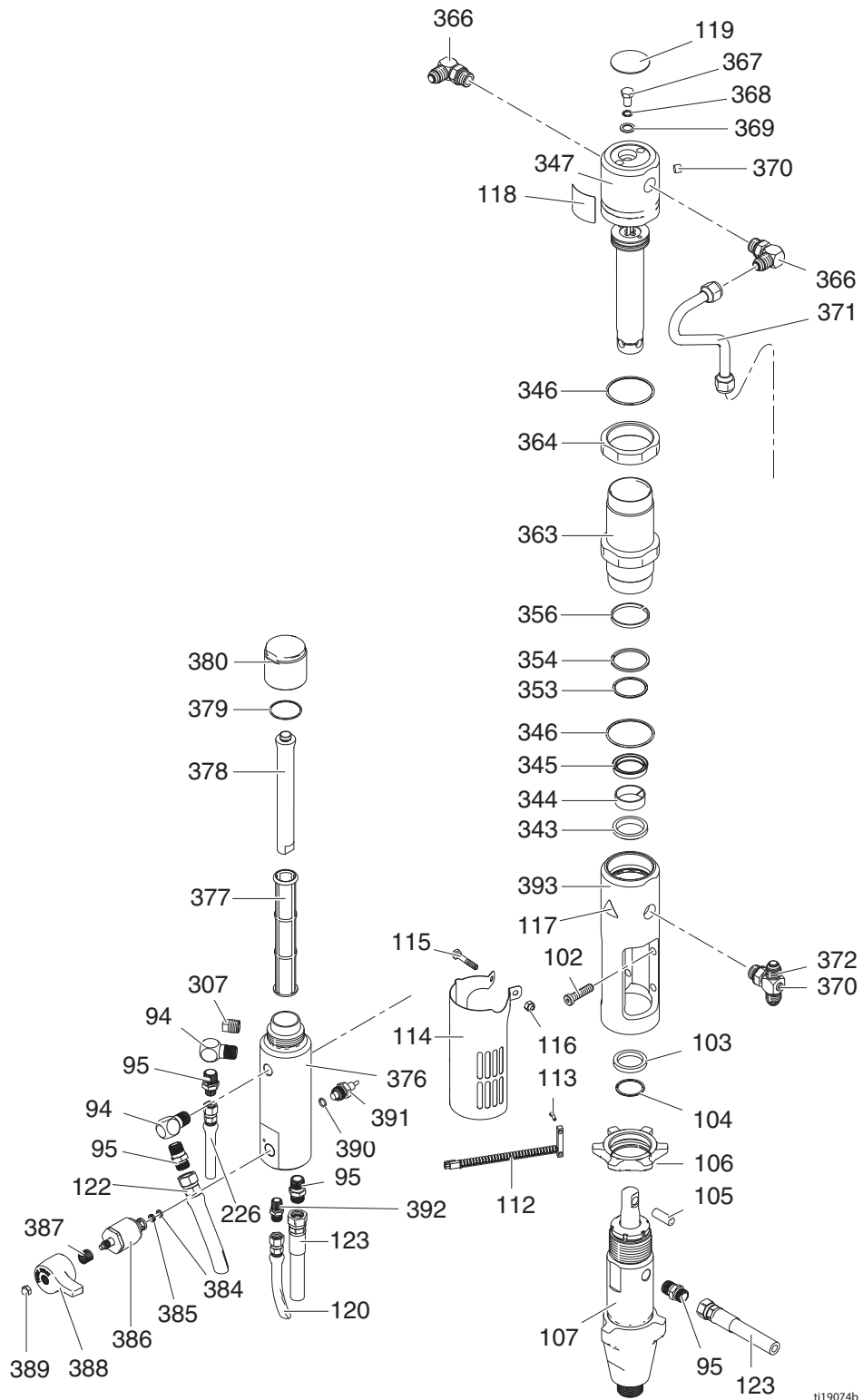
t119068b

Parts List

Ref.	Part	Description	Qty.	Ref.	Part	Description	Qty.
2	125929	MOTOR, wheel	2	20	114766	BOLT, cap hex head	8
4	15K357	SENSOR, distance	1	21	801020	NUT, lock, hex	8
5	108868	CLAMP, wire	1	22	16M271	HOSE, coupled, assembly, LL250	2
6	260212	SCREW, hex washer hd, thd form	1	25	24N508	KIT, repair, hub and gear assy	2
10	24M214	BRACKET, plate, pivot, brake, LL250	1	26	245340	KIT, repair, tire	2
12	16M656	PIN, brake	4	27	125481	NUT, wheel, 1/2-20	8
13	126073	RING, retaining, e ring, 1/2 dia	4	28	100104	PIN, cotter	2
14	24M215	BRACKET, lock, brake, LL250	1	146	16N394	FENDER, wheel, left, LL250, paint	1
15	15V264	SPRING, extension	1	255▲	16P141	LABEL, parking brake icon	1
16	16M743	PEDAL, brake, LL250	1	259▲	16P139	LABEL, multiple hazard iso	1
17	112785	SCREW, hex hd, flanged	1				
19	16M753	FENDER, wheel, right, LL250, paint	1				

▲ Replacement warning labels may be ordered free of charge.

Parts (Pump)



ti19074b

Parts List (Pump)

Ref.	Part	Description	Qty.	Ref.	Part	Description	Qty.
94*	196179	ELBOW, street	2	363	246176	SLEEVE, hydraulic, cylinder (includes 346)	1
95*	196178	ADAPTER, nipple	4	364	15A726	NUT, jam	1
102	107210	SCREW	4	366	117607	FITTING, elbow std thd	2
103	287186	KIT, repair, magnet	1	367	106276	SCREW, cap, hex head	1
104	116551	RING, retaining	1	368	155685	PACKING, o-ring	1
105	197443	PIN, pump	1	369	178179	WASHER, sealing	1
106	193394	NUT, retaining	1	370	100139	PLUG, pipe	2
107	277068	KIT, repair, pump 200HS (includes 95, 103, 104, 105)	1	371	15F519	TUBE, hydraulic, supply	1
112	119720	SWITCH, reed w/connector	1	372	119841	FITTING, tee, branch	1
113	114528	SCREW, mach, phillips, pnhd	2	376*	15H561	MANIFOLD	1
114	15F911	GUARD, pump rod	1	377*	24V455	FILTER, 50 mesh, ultra	1
115	100058	SCREW, cap, hex hd	1	378*	15C766	TUBE, diffusion	1
116	102040	NUT, lock, hex	1	379*	117285	PACKING, o-ring	1
117▲	15H108	LABEL, pinch point	1	380*	287285	KIT, repair, filter cap (includes 378, 379)	1
118	15B804	LABEL, Graco logo	1	384*	193710	SEAL, seat, valve	1
119▲	15B063	LABEL	1	385*	193709	SEAT, valve	1
120	24V064	KIT, repair, suction hose	1	386*	245103	KIT, repair, drain valve (includes 384, 385, 387, 388, 389)	1
122	191239	HOSE, coupled, 3/8 in. x 11 ft	1	387*	114708	SPRING, compression	1
123	245797	KIT, repair, hose	1	388*	15G563	HANDLE, valve	1
226	245798	HOSE, coupled, 1/4 in. x 7 ft	1	389*	116424	NUT, cap	1
307*	15G331	PLUG, pipe	1	390*	111457	PACKING, o-ring	1
343	117739	WIPER, rod	1	391*	24N516	KIT, repair, transducer (includes 390)	1
344	112342	NUT, jam	1	392*	196181	FITTING, nipple	1
345	112561	PACKING, block	1	393	15A728	MANIFOLD, adapter	1
346	117283	PACKING, o-ring	2				
347	288754	KIT, repair, trip rod/piston (includes 118, 119)	1				
353	108014	PACKING, o-ring	1				
354	178226	SEAL, piston	1				
356	178207	BEARING, piston	1				

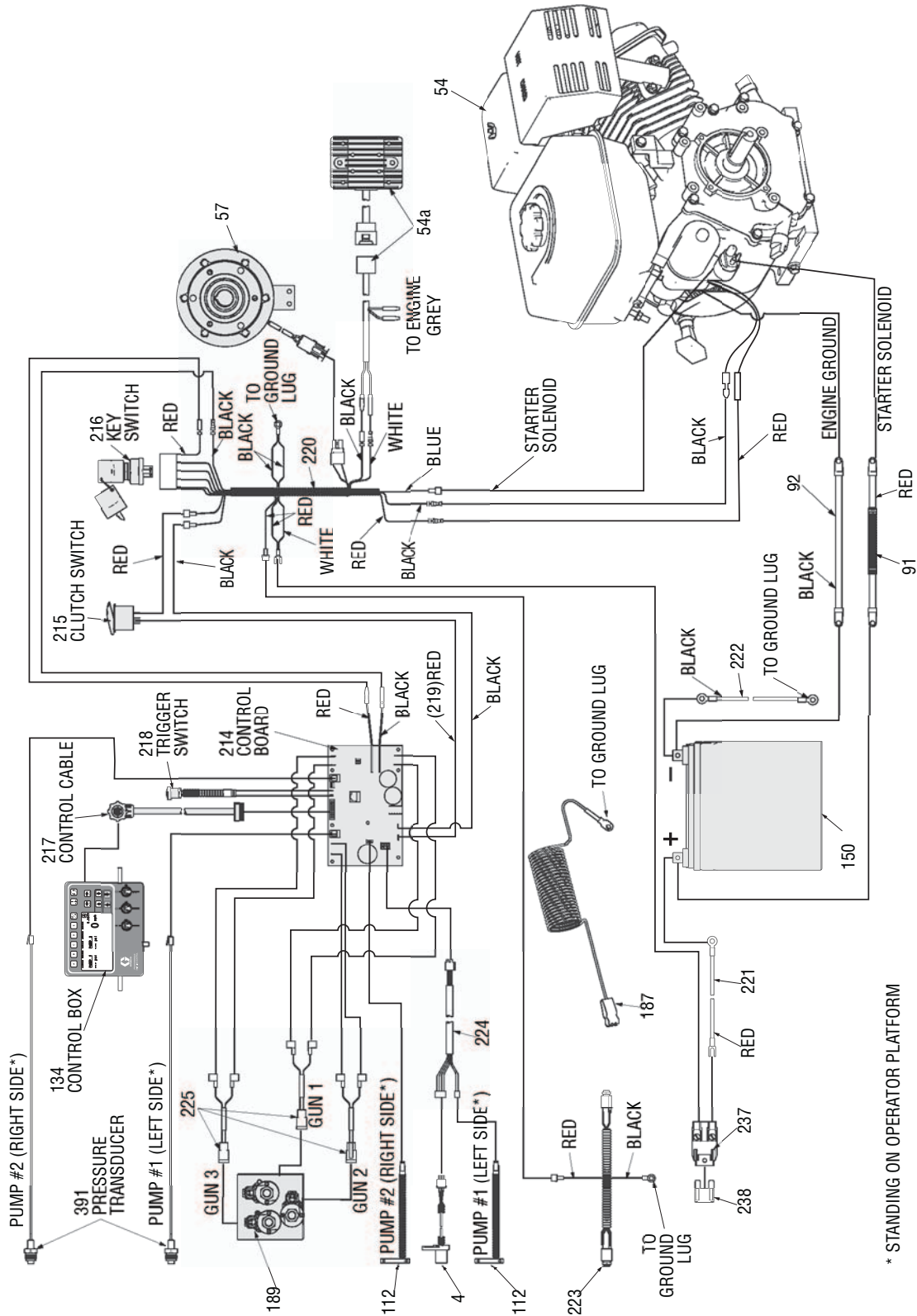
* Included in Filter Repair Kit 24N517

▲ Replacement warning labels may be ordered free of charge.

Hydraulic Parts List

Ref.	Part	Description	Qty.	Ref.	Part	Description	Qty.
2	125929	MOTOR, wheel	2	190	124941	FITTING, long elbow, hydraulic	1
22	16M271	HOSE, coupled, assembly, LL250	2	191	116829	FITTING, 90 degree, w/adjustable	1
63	247930	KIT, repair, hydraulic pump	1	193	24M625	TUBE, supply, hydraulic	1
73	16X838	HOSE, hydraulic, supply 2nd pump	1	194	24M626	TUBE, supply, hydraulic	1
74	16X839	HOSE, hydraulic, return 2nd pump	1	196	126082	FITTING, tee, #8 x #8 x #6 JIC	1
98	16P776	TUBE, supply, hydraulic	1	197	126080	FITTING, tee, street	2
108	117328	FITTING, nipple, straight	2	198	126081	FITTING, nipple, 3/8-18 x #6 JIC	2
109	117441	VALVE, ball	2	304	155665	UNION, adapter	1
110	287175	KIT, repair, hose, hydraulic supply	1	309	16M160	COVER, reservoir, LL250, painted	1
111	287176	KIT, repair, hose, hydraulic return	1	320	16X083	KIT, repair, pump, 250SPS	1
147	124770	FITTING, tee, 1/2 JIC, swivel	1	327	246173	KIT, repair, oil filter	1
166	16M276	HOSE, coupled, feed line, LL250	2	333	120184	FITTING, hydraulic	1
189	24U862	MANIFOLD, hydraulic, three piston (includes three 189a, 189b and 189c)	1	350	116829	FITTING, 90 degree, w/adjustable o-ring	2
189a	24N577	COIL, solenoid, hydraulic, manifold	1	366	117607	FITTING, elbow std thd	4
189b	24N490	KIT, repair, solenoid (includes 189a)	1	370	100139	PLUG, pipe	2
189c	24V560	KIT, repair, actuator piston	1	371	15F519	TUBE, hydraulic, supply	2
				372	119841	FITTING, tee, branch	2

Wiring Diagram



* STANDING ON OPERATOR PLATFORM

h23961a

Wiring Parts List

Ref.	Part	Description	Qty.	Ref.	Part	Description	Qty.
4	15K357	SENSOR, distance	1	214b	24V561	KIT, repair, control board	1
54	24V562	KIT, repair, engine, GX390 (includes 54a)	1	215	17C063	SWITCH, rocker, SPST	1
54a	24N502	VOTLAGE REGULATOR	1	216	16X075	SWITCH, ignition	1
57	125877	CLUTCH, electric, LL250	1	217	24U233	CABLE, 18 conductor	1
91	16X079	CABLE, battery, positive		218	16N401	SWITCH, pushbutton	1
92	16X080	CABLE, battery, negative		219	17C064	WIRE, positive	1
112	119720	SWITCH, reed w/connector	2	220	16X078	HARNESS, wire, LL250DC	1
134	24U234	CONTROL, box, handlebar (includes 134a, 134b, 134c)	1	221	16N542	WIRE, positive battery	1
134a	24V565	KIT, display, repair	1	222	16N541	WIRE negative battery	1
134b	24V564	KIT, board, toggle switch	1	223	16N540	HARNESS, light connection	1
134c	24V566	KIT, switch, membrane	1	224	16N539	HARNESS, sensor adapter	1
150	115753	BATTERY, 33 AH, sealed	1	225	16N543	HARNESS, wire, hydraulic actuator	3
187	237686	WIRE, ground assembly w/ clamp	1	237	126095	HOLDER, fuse	1
189	24U862	MANIFOLD, hydraulic, three piston	1	238	126096	FUSE, 30A	1
189a	24N577	COIL, solenoid, hydraulic, manifold (included in 189)	2	319	24N516	KIT, repair, transducer	1

Graco Standard Warranty

Graco warrants all equipment referenced in this document which is manufactured by Graco and bearing its name to be free from defects in material and workmanship on the date of sale to the original purchaser for use. With the exception of any special, extended, or limited warranty published by Graco, Graco will, for a period of twelve months from the date of sale, repair or replace any part of the equipment determined by Graco to be defective. This warranty applies only when the equipment is installed, operated and maintained in accordance with Graco's written recommendations.

This warranty does not cover, and Graco shall not be liable for general wear and tear, or any malfunction, damage or wear caused by faulty installation, misapplication, abrasion, corrosion, inadequate or improper maintenance, negligence, accident, tampering, or substitution of non-Graco component parts. Nor shall Graco be liable for malfunction, damage or wear caused by the incompatibility of Graco equipment with structures, accessories, equipment or materials not supplied by Graco, or the improper design, manufacture, installation, operation or maintenance of structures, accessories, equipment or materials not supplied by Graco.

This warranty is conditioned upon the prepaid return of the equipment claimed to be defective to an authorized Graco distributor for verification of the claimed defect. If the claimed defect is verified, Graco will repair or replace free of charge any defective parts. The equipment will be returned to the original purchaser transportation prepaid. If inspection of the equipment does not disclose any defect in material or workmanship, repairs will be made at a reasonable charge, which charges may include the costs of parts, labor, and transportation.

THIS WARRANTY IS EXCLUSIVE, AND IS IN LIEU OF ANY OTHER WARRANTIES, EXPRESS OR IMPLIED, INCLUDING BUT NOT LIMITED TO WARRANTY OF MERCHANTABILITY OR WARRANTY OF FITNESS FOR A PARTICULAR PURPOSE.

Graco's sole obligation and buyer's sole remedy for any breach of warranty shall be as set forth above. The buyer agrees that no other remedy (including, but not limited to, incidental or consequential damages for lost profits, lost sales, injury to person or property, or any other incidental or consequential loss) shall be available. Any action for breach of warranty must be brought within two (2) years of the date of sale.

GRACO MAKES NO WARRANTY, AND DISCLAIMS ALL IMPLIED WARRANTIES OF MERCHANTABILITY AND FITNESS FOR A PARTICULAR PURPOSE, IN CONNECTION WITH ACCESSORIES, EQUIPMENT, MATERIALS OR COMPONENTS SOLD BUT NOT MANUFACTURED BY GRACO. These items sold, but not manufactured by Graco (such as electric motors, switches, hose, etc.), are subject to the warranty, if any, of their manufacturer. Graco will provide purchaser with reasonable assistance in making any claim for breach of these warranties.

In no event will Graco be liable for indirect, incidental, special or consequential damages resulting from Graco supplying equipment hereunder, or the furnishing, performance, or use of any products or other goods sold hereto, whether due to a breach of contract, breach of warranty, the negligence of Graco, or otherwise.

Graco Information

For the latest information about Graco products, visit www.graco.com.

For patent information, see www.graco.com/patents.

TO PLACE AN ORDER, contact your Graco distributor or call 1-800-690-2894 to identify the nearest distributor.

*All written and visual data contained in this document reflects the latest product information available at the time of publication.
Graco reserves the right to make changes at any time without notice.*

Original instructions. This manual contains English. MM 334054

Graco Headquarters: Minneapolis

International Offices: Belgium, China, Japan, Korea

GRACO INC. AND SUBSIDIARIES • P.O. BOX 1441 • MINNEAPOLIS MN 55440-1441 • USA

Copyright 2014, Graco Inc. All Graco manufacturing locations are registered to ISO 9001.

www.graco.com

Revision E, May 2018