




# Ultra<sup>®</sup> Platinum Sprayers

313565F

EN

**For Portable Airless Spraying of Architectural Coatings and Paints. For professional use only. Not approved for use in European explosive atmosphere locations.**

## Models

Vac	Model	Hi-Boy
<b>240 Europe</b> 	695	24M373
	795	24M376
	1095	24M379
<b>240 Europe Multi-Cord</b> 	695	24M374
	795	24M377
	1095	24M380
<b>110 UK</b> 	695	24M375
	795	24M378
	1095	24M381

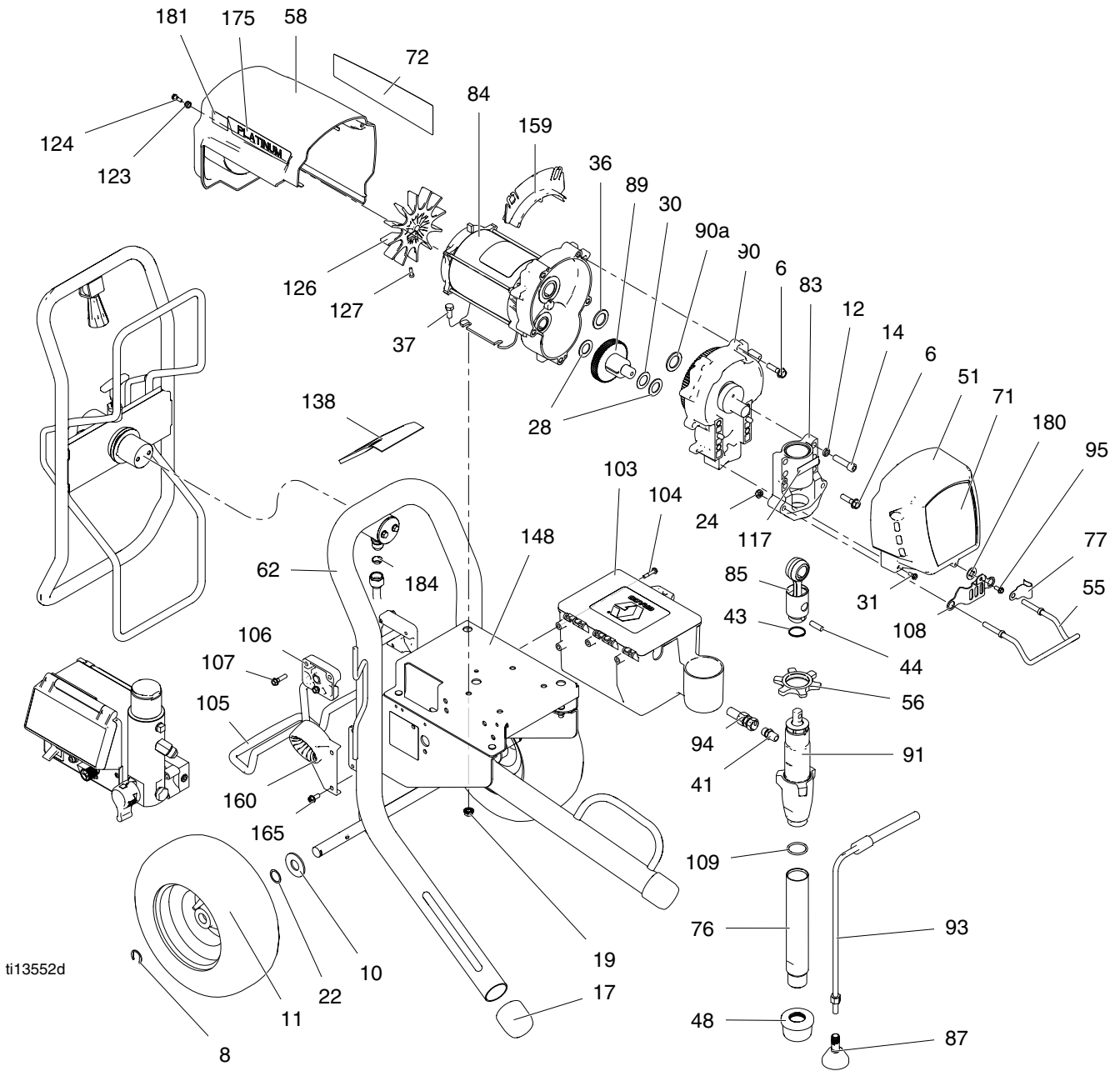


### Important Safety Instructions

Read all warnings and instructions in the operations manual.



# Parts - 695 / 795

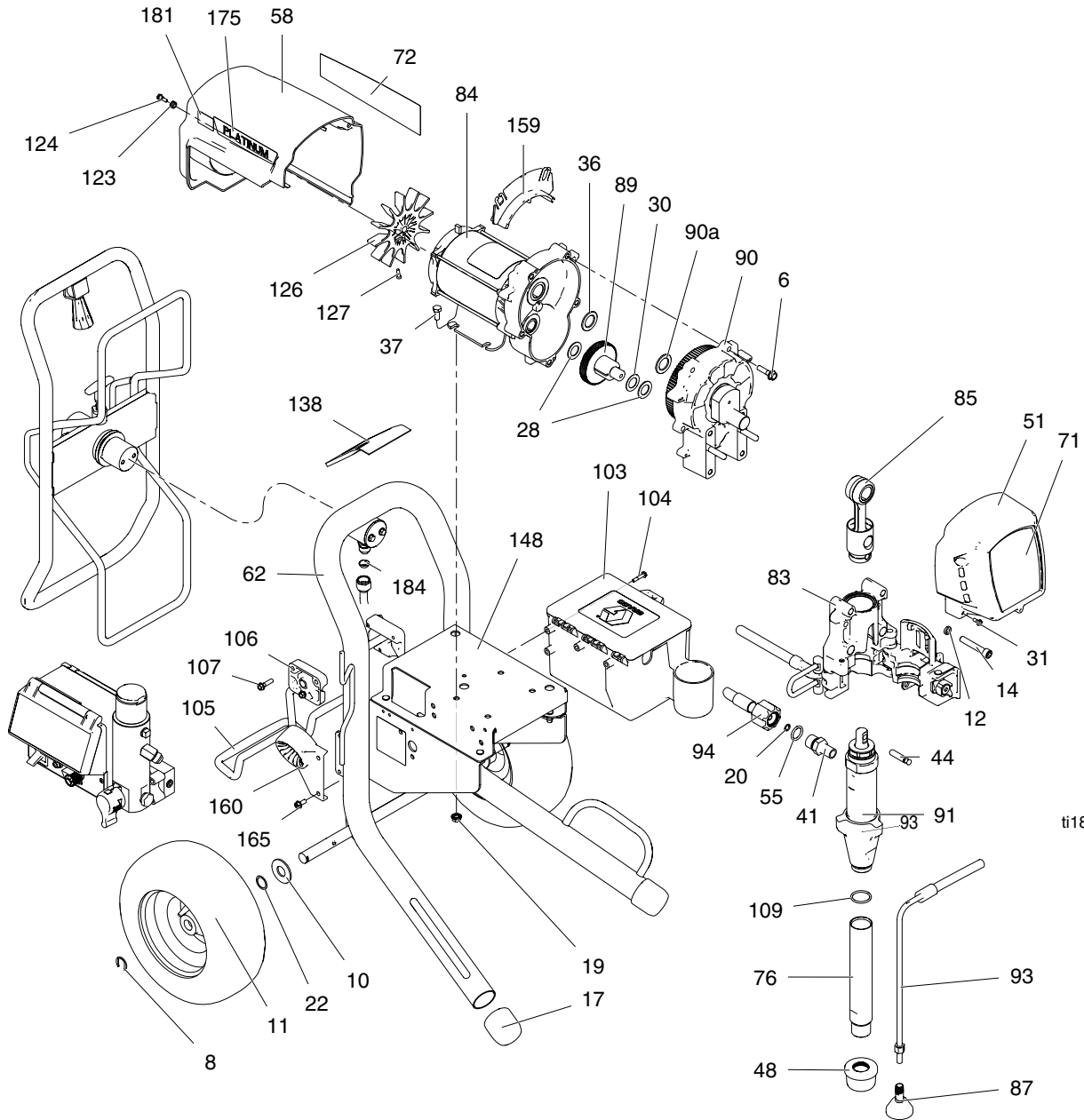


## Parts List - 695 / 795

Ref.	Part	Description	Qty.	Ref.	Part	Description	Qty.
6	15C753	SCREW, mach, hex wash hd	5	89	287289	GEAR, combination	1
8	15E891	CLIP, retaining	2	90		HOUSING, drive	1
10	156306	WASHER, flat	2		287283	695 Models	
11	119420	WHEEL, pneumatic	2		287284	795 Models	
12	106115	WASHER, lock (hi-collar)	4	90a	107089	WASHER, thrust	1
14	110141	SCREW, cap, sch	4	91	248204	PUMP, displacement	1
17	276974	CAP, leg	2	93	248217	HOSE, drain, hi-boy	1
19	110838	NUT, lock	8	94	15D049	HOSE, coupled, 1/4 x 15.75	1
22	116038	WASHER, wave spring	2	95	114000	SCREW, mach, hex wash hd	1
24	112746	NUT, lock, nylon, thin pattern	2	103	287253	TOOLBOX (includes 104)	1
28	114672	WASHER, thrust	2	104	118852	SCREW, thd forming, hex washer	3
30	114699	WASHER, thrust	1	105	15Y454	BAR, kick stand	1
31	118444	SCREW, mach, slot hex wash hd	4	106	15C982	CAM, cart	2
36	116191	WASHER, thrust	1	107	114531	SCREW, mach, hex washer hd	4
37	100057	SCREW, cap, hex hd	4	108	15C859	SHIELD, pump rod	1
41	162453	FITTING, (1/4 npsm x 1/4 npt)	1	109	118494	PACKING, o-ring	1
43	176817	SPRING, retaining	1	117	187437	LABEL, torque	1
44	176818	PIN, str, hdls	1	123	276980	GROMMET, cover	2
48	189920	STRAINER, (1-11 1/2 npsm)	1	124	119250	SCREW, shoulder	2
51	287291	COVER, drive (includes 31, 95)	1	126	15D088	FAN, motor	1
55	16C457	HANGER, pail	1	127	115477	SCREW, mach, torx pan hd	1
56	192723	NUT, retaining	1	128▲	222385	TAG, warning	
58		SHIELD, motor, chrome	1	136	195767	LABEL, warning, st	1
	287281	695 Models (includes 123, 124)		138	243301	LABEL, set, stpro, int'l (Models	1
	287282	795 Models (includes 123, 124)				24M373, 24M374, 24M376,	
62	24J082	FRAME, platinum, 695/795	1			24M377)	
71		LABEL, brand, front	1	148	288899	SHELF, pem assembly	1
	16N566	695 Models		159	278075	BRACKET, wire	1
	16N571	795 Models		160	278083	GUIDE, hose, ultra platinum	1
72		LABEL, brand, side	1	165	117633	SCREW, slot hex wash hd	2
	16N567	695 Models		175	16N565	LABEL, platinum shroud	2
	16N568	795 Models		180	124172	WASHER, Retaining Nylon	1
76	248214	TUBE, intake	1	181	15Y118	LABEL, Made in the USA	1
77	278204	CLIP, Drain Line	1	184	123739	SEAL, fitting flared	2
83	240523	HOUSING, bearing	1				
84		MOTOR, electric	1				
	257185	695 Models					
	257186	795 Models					
85	241008	ROD, connecting (includes 43)	1				
87	241920	DEFLECTOR, threaded	1				

▲ Extra Danger and Warning tags and labels are available at no cost.

# Parts - 1095



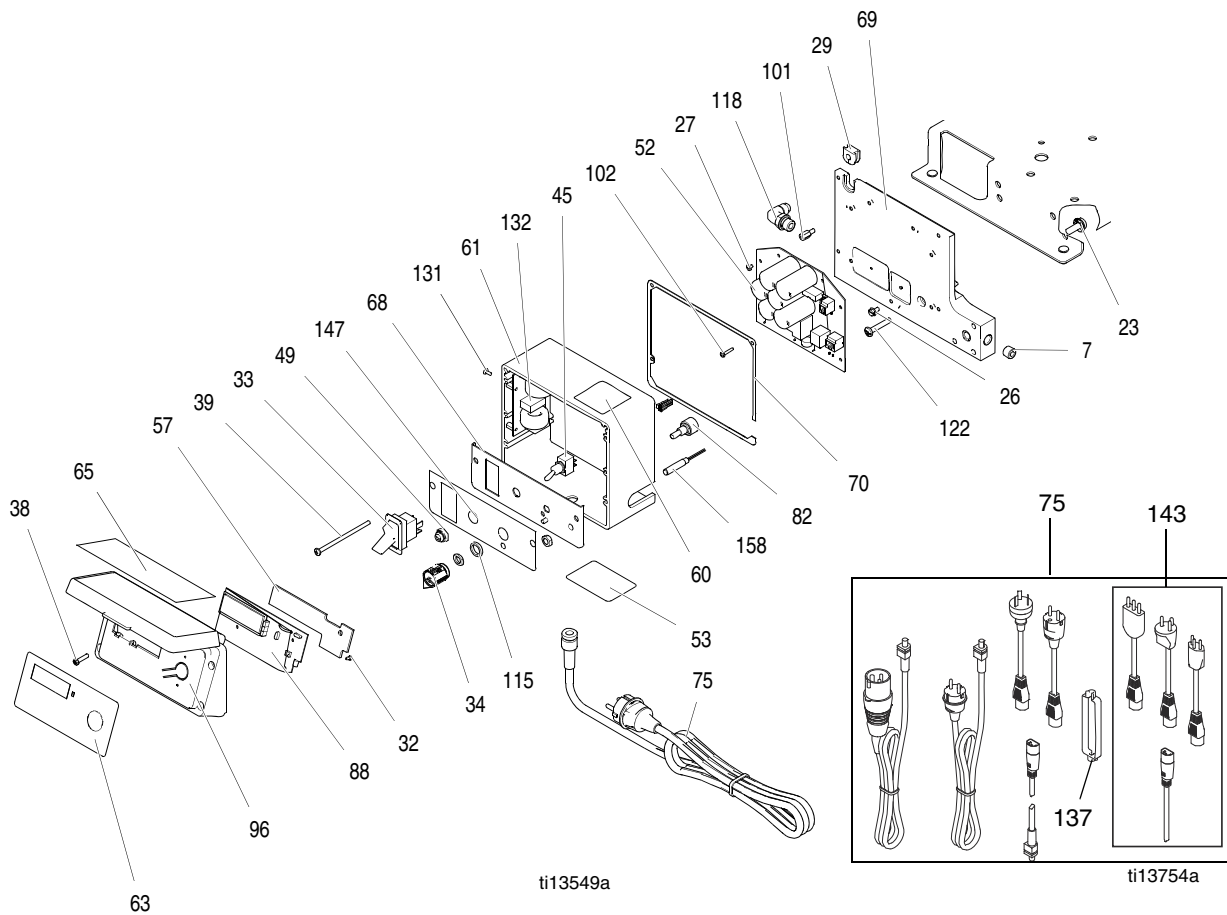
ti18847a

## Parts List - 1095

Ref.	Part	Description	Qty.	Ref.	Part	Description	Qty.
6	15C753	SCREW, mach, hex wash hd	5	93	248217	HOSE, drain, hi-boy	1
8	15E891	CLIP, retaining	2	94	288658	HOSE, coupled, 1/2 in.	1
10	156306	WASHER, flat	2	103	287253	TOOLBOX (includes 104)	1
11	119509	WHEEL, pneumatic	2	104	118852	SCREW, thd forming, hex washer	3
12	106115	WASHER, lock (hi-collar)	4	105	15Y455	BAR, kick stand	1
14	114666	SCREW, cap, socket head	4	106	15C982	CAM, cart	2
17	276974	CAP, leg	2	107	114531	SCREW, mach, hex washer hd	4
19	110838	NUT, lock	8	108	15F503	SCREW, set, socket head	1
22	116038	WASHER, wave spring	2	109	118494	O-RING, packing (1095 Models)	1
24	15F116	LATCH, handle	1	118	120185	FITTING, hydraulic	1
28	114672	WASHER, thrust	2	123	276980	GROMMET, cover	2
30	114699	WASHER, thrust	1	124	119250	SCREW, shoulder	3
31	118444	SCREW, mach, slot hex wash hd	4	126	15D088	FAN, motor	1
36	116192	WASHER, thrust	1	127	115477	SCREW, mach, torx pan hd	1
37	100057	SCREW, cap, hex hd	4	128▲	222385	TAG, warning	1
41	15E802	FITTING, pump, quick disconnect	1	136	195767	LABEL, warning, st	1
43	119778	SPRING, retaining	1	138	243301	LABEL, set, spro, int'l (Models 24M379, 24M380)	1
44	15F110	PIN, pump	1	139	15E625	PIN, housing, bearing	1
48	189920	STRAINER, (1-11 1/2 npsm)	1	140	15G890	LATCH, bearing housing	1
51	287292	COVER, drive (includes 31)	1	141	111040	NUT, lock, insert, nylock, 5/16	2
55	119790	O-RING	1	147	15X903	LABEL, Euro ultra platinum wo wd	1
56	15F498	SCREW, adjustment	1	151	109450	PACKING, o-ring	1
58	287282	SHIELD, motor (includes 123, 124)	1	152	15G584	RECEIVER, clamp	1
62	24J083	FRAME, platinum	1	153	116942	SCREW, shoulder, socket head	1
71	16N570	LABEL, front	1	154	15F584	LABEL, proconnect	1
72	16N569	LABEL, side	1	156	288899	SHELF, ultra, pem assembly	1
76	249122	TUBE, intake	1	159	278075	BRACKET, wire	1
77	278204	CLIP, drain line	1	160	278083	GUIDE, hose, ultra platinum	1
83	287933	HOUSING, bearing	1	165	117633	SCREW, slot hex wash hd	2
84	257187	MOTOR, electric	1	175	16N565	LABEL, platinum shroud	2
85	241279	ROD, connecting includes 43	1	181	15Y118	LABEL, Made in the USA	1
87	241920	DEFLECTOR, threaded	1	184	123739	SEAL, fitting flared	2
89	287290	GEAR, combination	1	186	100985	WASHER,lock ext	1
90		HOUSING, drive (includes 6, 36)	1				
	287295	Model 24M379, 24M380,					
	287294	Model 24M381					
91	287513	PUMP, displacement, hd, Mark V	1				

▲ Extra Danger and Warning tags and labels are available at no cost.

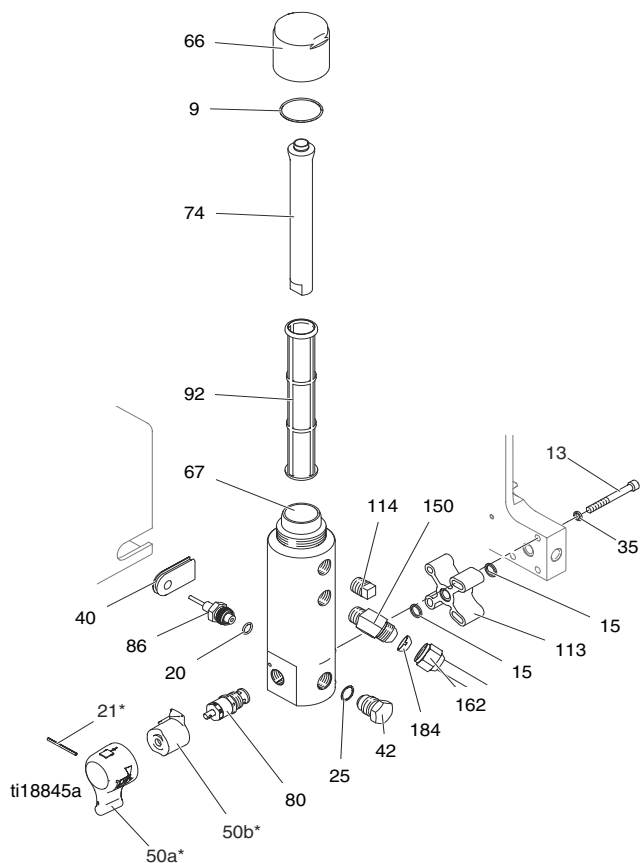
# Parts - Control Box



Ref.	Part	Description	Qty.	Ref.	Part	Description	Qty.
7	100721	PLUG, pipe	1	69	15V937	PLATE, power bar	1
23	110963	SCREW, cap, flange head	2	70	15D036	GASKET, control box	1
26	114391	SCREW, grounding	1	75		CORD, power	1
27	113045	SCREW, sems, mach, phillips	6	15D528		Models 24M373, 24M376, 24M379	
29	15V996	GROMMET, motor lead	1	15D529		Models 24M374, 24M377, 24M380	
32*	115522	SCREW, mach, pnh	3	15D530		Models 24M375, 24M378, 24M381	
33		SWITCH, rocker	1	82	256219	POTENTIOMETER, assembly	1
	15D527	Models 24M373, 24M374, 24M376, 24M377, 24M379, 24M380		88*		CONTROL, board, receiver	1
	15C979	Models 24M375, 24M378, 24M381		96	257444	KIT, Repair (includes 88, 38, 32, 65, 63, 57)	1
34	116167	KNOB, potentiometer	1	101	15V938	STUD, control board	6
38*	116252	SCREW, #10, taptite phil	4	102	114420	SCREW, mach, pnh, sems, phillips	2
39	112381	SCREW, mach, pan head	4	115	122725	GASKET	1
45	119541	SWITCH, toggle	1	118	116793	FITTING	1
49	195428	BOOT, toggle	1	122	115478	SCREW, mach, torx/slt pan hd	1
52		CONTROL, board	1	131	119228	SCREW, mach, flat hd	4
	257449	Models 24M373, 24M374, 24M376, 24M377, 24M379, 24M380		132	257905	FILTER, board	1
	257448	Models 24M375, 24M378, 24M381		137	195551	RETAINER, plug, adapter (Models 24M374, 24M377, 24M380)	
57*		PAD, foam	1	143	287121	CORD SET (Models 24M374, 24M377, 24M380)	1
60	195793	LABEL, warning	1	147	15X553	LABEL, Euro platinum control	1
61	15D431	BOX, control	1	158	258644	SWITCH, reed	1
63*	15X508	LABEL, brand, Smartcontrol LCD	1	184	122725	GASKET, sealing	1
65*	15X507	LABEL, brand, Smartcontrol	1				
68	15X480	PANEL, control	1				

\* Included with 257444 KIT

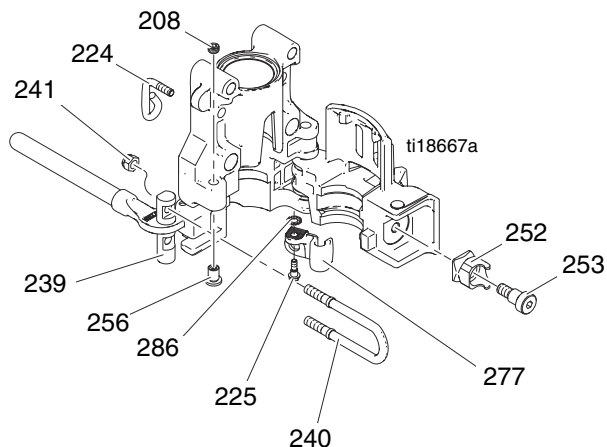
# Parts - Filter



Ref.	Part	Description	Qty.
9	117285	PACKING, o-ring	1
13	C19817	SCREW, cap, socket head	3
15	121513	PACKING, square ring	2
20	111457	PACKING, o-ring	1
21*	15C972	PIN, grooved	1
25	15D541	SEAL, washer	1
35	105510	WASHER, lock, spring (hi-collar)	3
40	15D033	GROMMET, transducer	1
42	248314	KIT, AutoClean plug (includes 25)	1
50a*		HANDLE, valve, prime, FastFlush	1
50b*		CAM, prime valve, FastFlush	1
66	15C765	CAP, filter	1
67	15C838	BASE, filter	1
74	15C766	TUBE, diffusion	1
80	24A381	VALVE, prime, heavy duty	1
86	243222	TRANSDUCER, pressure control	1
92		FILTER, fluid	
	244071	30 mesh	1
	244067	60 mesh, original equipment	1
	244068	100 mesh	1
	244069	200 mesh	1
113	15F844	SPACER, manifold	1
114	104813	PLUG, pipe	1
150	122533	FITTING, 45 deg elbow, #8 jic x 3/8	1
161		TUBE, formed, ultra platinum	1
	24J080	695/795 Models	
	24J081	1095	
184	123739	SEAL, fitting flared	2

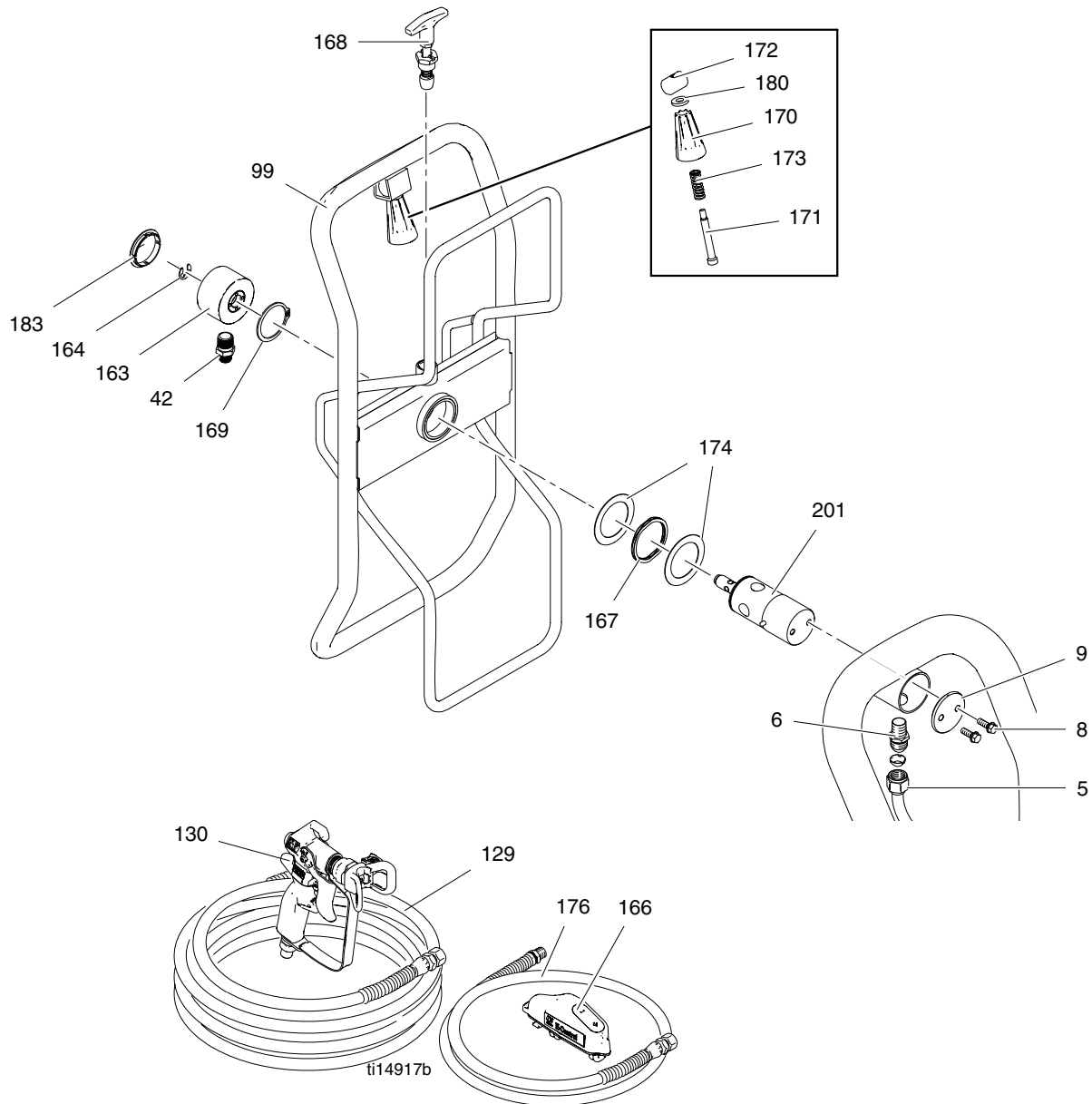
\* 24E233 Kit, handle, FastFlush available (includes 21, 50,)

# Parts - Bearing Housing



Ref.	Part	Description	Qty.
208	15F503	SCREW, set, socket	1
224	15F116	LATCH, handle	1
225	119250	SCREW, shoulder	1
239	15E625	PIN, housing, bearing	1
240	15G890	LATCH, bearing housing	1
241	111040	NUT, lock, insert, nylock, 5/16	2
252	15G584	RECEIVER, clamp	1
253	116942	SCREW, shoulder, skt hd	1
256	15F498	SCREW, adjustment	1
277	278204	CLIP, drain line	1
286	100985	WASHER, lock ext	1

# Parts - Hose Reel



Ref.	Part	Description	Qty.	Ref.	Part	Description	Qty.
5	24J080	TUBE, Formed, Ultra, Platinum	1	167	122534	SPRING, wave	1
	24J081	695/795 Models		168	122517	PIN, pop, lock out	1
	24J081	1095 Models		169	122524	RING, retaining, external	1
6	121311	FITTING, Connector, NPT x JIC	1	170	278085	HANDLE, swivel	1
8	260212	SCREW, Hex Washer HD	2	171	122518	SCREW, shoulder, sch	1
9	16C975	PLATE, Pivot Mount	1	172	15X618	NUT, swivel, handle	1
42	164672	ADAPTER	1	173	122542	SPRING, die	1
99	24B691	REEL, hose, platinum	1	174	122607	WASHER, flat	2
129	240794	HOSE, coupled, 1/4 x 50	1	176	277322	HOSE, cpld, 3/16 in. x 3 ft	1
130	288475	GUN, Contractor E	1	180	122669	WASHER, flat	1
163	24B248	CAP, swivel, complete	1	183	122787	CAP	1
164	122347	RING, retaining, external	1	201	24E016	TUBE, Hose Reel, Pivot	1
166	24B194	TRANSMITTER, pressure, remote	1				





# Graco Standard Warranty

Graco warrants all equipment referenced in this document which is manufactured by Graco and bearing its name to be free from defects in material and workmanship on the date of sale to the original purchaser for use. With the exception of any special, extended, or limited warranty published by Graco, Graco will, for a period of twelve months from the date of sale, repair or replace any part of the equipment determined by Graco to be defective. This warranty applies only when the equipment is installed, operated and maintained in accordance with Graco's written recommendations.

This warranty does not cover, and Graco shall not be liable for general wear and tear, or any malfunction, damage or wear caused by faulty installation, misapplication, abrasion, corrosion, inadequate or improper maintenance, negligence, accident, tampering, or substitution of non-Graco component parts. Nor shall Graco be liable for malfunction, damage or wear caused by the incompatibility of Graco equipment with structures, accessories, equipment or materials not supplied by Graco, or the improper design, manufacture, installation, operation or maintenance of structures, accessories, equipment or materials not supplied by Graco.

This warranty is conditioned upon the prepaid return of the equipment claimed to be defective to an authorized Graco distributor for verification of the claimed defect. If the claimed defect is verified, Graco will repair or replace free of charge any defective parts. The equipment will be returned to the original purchaser transportation prepaid. If inspection of the equipment does not disclose any defect in material or workmanship, repairs will be made at a reasonable charge, which charges may include the costs of parts, labor, and transportation.

**THIS WARRANTY IS EXCLUSIVE, AND IS IN LIEU OF ANY OTHER WARRANTIES, EXPRESS OR IMPLIED, INCLUDING BUT NOT LIMITED TO WARRANTY OF MERCHANTABILITY OR WARRANTY OF FITNESS FOR A PARTICULAR PURPOSE.**

Graco's sole obligation and buyer's sole remedy for any breach of warranty shall be as set forth above. The buyer agrees that no other remedy (including, but not limited to, incidental or consequential damages for lost profits, lost sales, injury to person or property, or any other incidental or consequential loss) shall be available. Any action for breach of warranty must be brought within two (2) years of the date of sale.

**GRACO MAKES NO WARRANTY, AND DISCLAIMS ALL IMPLIED WARRANTIES OF MERCHANTABILITY AND FITNESS FOR A PARTICULAR PURPOSE, IN CONNECTION WITH ACCESSORIES, EQUIPMENT, MATERIALS OR COMPONENTS SOLD BUT NOT MANUFACTURED BY GRACO.** These items sold, but not manufactured by Graco (such as electric motors, switches, hose, etc.), are subject to the warranty, if any, of their manufacturer. Graco will provide purchaser with reasonable assistance in making any claim for breach of these warranties.

In no event will Graco be liable for indirect, incidental, special or consequential damages resulting from Graco supplying equipment hereunder, or the furnishing, performance, or use of any products or other goods sold hereto, whether due to a breach of contract, breach of warranty, the negligence of Graco, or otherwise.

## **FOR GRACO CANADA CUSTOMERS**

The Parties acknowledge that they have required that the present document, as well as all documents, notices and legal proceedings entered into, given or instituted pursuant hereto or relating directly or indirectly hereto, be drawn up in English. Les parties reconnaissent avoir convenu que la rédaction du présente document sera en Anglais, ainsi que tous documents, avis et procédures judiciaires exécutés, donnés ou intentés, à la suite de ou en rapport, directement ou indirectement, avec les procédures concernées.

# Graco Information

For the latest information about Graco products, visit [www.graco.com](http://www.graco.com).

**TO PLACE AN ORDER**, contact your Graco distributor or call 1-800-690-2894 to identify the nearest distributor.

*All written and visual data contained in this document reflects the latest product information available at the time of publication. Graco reserves the right to make changes at any time without notice.*

Original instructions. This manual contains English. MM 313565

**Graco Headquarters:** Minneapolis  
**International Offices:** Belgium, China, Japan, Korea

**GRACO INC. AND SUBSIDIARIES • P.O. BOX 1441 • MINNEAPOLIS MN 55440-1441 • USA**

**Copyright 2009, Graco Inc. All Graco manufacturing locations are registered to ISO 9001.**

[www.graco.com](http://www.graco.com)  
Revised 02/2012