




Ultra[®] Platinum Sprayers

313565D

EN

For Portable Airless Spraying of Architectural Coatings and Paints. For professional use only. Not approved for use in European explosive atmosphere locations.

Models

Vac	Model	Hi-Boy
240 Europe 	695	257034
	795	257037
	1095	257040
	Mark V	257043
240 Europe Multi-Cord 	695	257035
	795	257038
	1095	257041
	Mark V	257044
110 UK 	695	257036
	795	257039
	1095	257042
	Mark V	257045



Important Safety Instructions

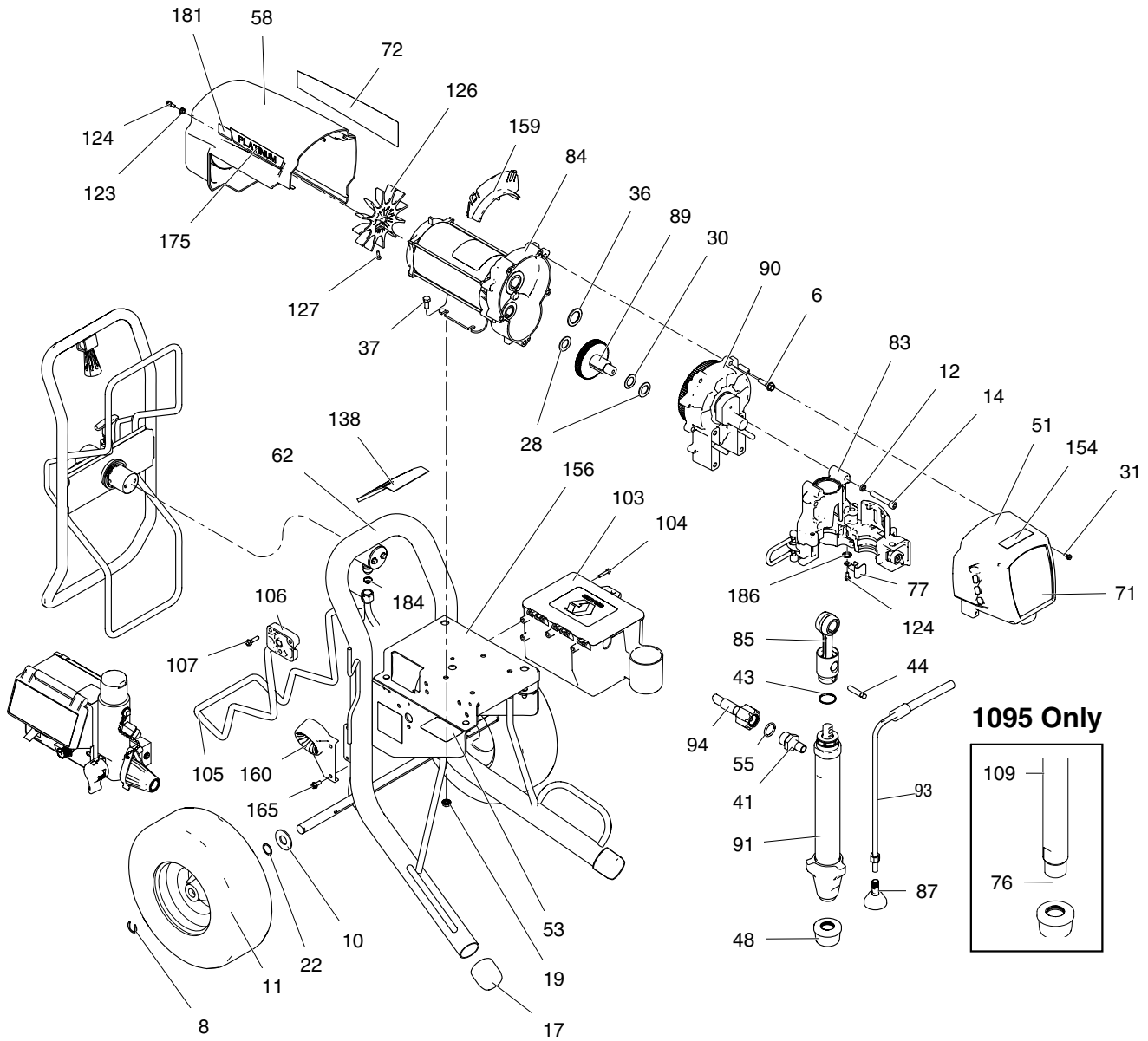
Read all warnings and instructions in the operations manual.

Parts List - 695 / 795

Ref.	Part	Description	Qty.	Ref.	Part	Description	Qty.
6	15C753	SCREW, mach, hex wash hd	5	89	287289	GEAR, combination	1
8	15E891	CLIP, retaining	2	90		HOUSING, drive, m1	1
10	156306	WASHER, flat	2		287283	695 Models	
11	119420	WHEEL, pneumatic	2		287284	795 Models	
12	106115	WASHER, lock (hi-collar)	4	90a	107089	WASHER, thrust	1
14	110141	SCREW, cap, sch	4	91	248204	PUMP, displacement, (695/795)	1
17	276974	CAP, leg	2	93	248217	HOSE, drain, hi-boy	1
19	110838	NUT, lock	8	94	15D049	HOSE, coupled, 1/4 x 15.75	1
22	116038	WASHER, wave spring	2	95	114000	SCREW, mach, hex wash hd	1
24	112746	NUT, lock, nylon, thin pattern	2	103	287253	TOOLBOX (includes 104)	1
28	114672	WASHER, thrust	2	104	118852	SCREW, thd forming, hex washer	3
30	114699	WASHER, thrust	1	105	15Y454	BAR, kick stand	1
31	118444	SCREW, mach, slot hex wash hd	4	106	15C982	CAM, cart	2
36	116191	WASHER, thrust, (1095/795)	1	107	114531	SCREW, mach, hex washer hd	4
37	100057	SCREW, cap, hex hd	4	108	15C859	SHIELD, pump rod	1
41	162453	FITTING, (1/4 npsm x 1/4 npt)	1	109	118494	PACKING, o-ring	1
43	176817	SPRING, retaining	1	117	187437	LABEL, torque	1
44	176818	PIN, str, hdls	1	123	276980	GROMMET, cover	2
48	189920	STRAINER, (1-11 1/2 npsm)	1	124	119250	SCREW, shoulder	2
51	15W630	COVER, drive, chrome	1	126	15D088	FAN, motor	1
55	16C457	HANGER, pail	1	127	115477	SCREW, mach, torx pan hd	1
56	192723	NUT, retaining	1	128▲	222385	TAG, warning	1
58		SHIELD, motor, chrome	1	136	195767	LABEL, warning, st	1
	15W631	695 Models		138	243301	LABEL, set, stpro, int'l (Models	1
	15W632	795 Models				257034, 257035, 257037, 257038)	
62	24J082	FRAME, platinum, 695/795	1	148	288899	SHELF, pem assembly	1
71		LABEL, brand, front	1	159	278075	BRACKET, wire	1
	15K374	695 Models		160	278083	GUIDE, hose, ultra platinum	1
	15D068	795 Models		165	117633	SCREW, slot hex wash hd	2
72		LABEL, brand, side	1	175	15W980	LABEL, platinum shroud	2
	15K381	695 Models		180	124172	WASHER, Retaining Nylon	1
	15D069	795 Models		181	15Y118	LABEL, Made in the USA	1
76	248214	TUBE, intake	1	184	123739	SEAL, fitting flared	2
77	278204	CLIP, Drain Line	1				
83	240523	HOUSING, bearing	1				
84		MOTOR, electric, c104 695	1				
	257185	695 Models					
	257186	795 Models					
85	241008	ROD, connecting (includes 43)	1				
87	241920	DEFLECTOR, threaded	1				

▲ Extra Danger and Warning tags and labels are available at no cost.

Parts - 1095 / Mark V

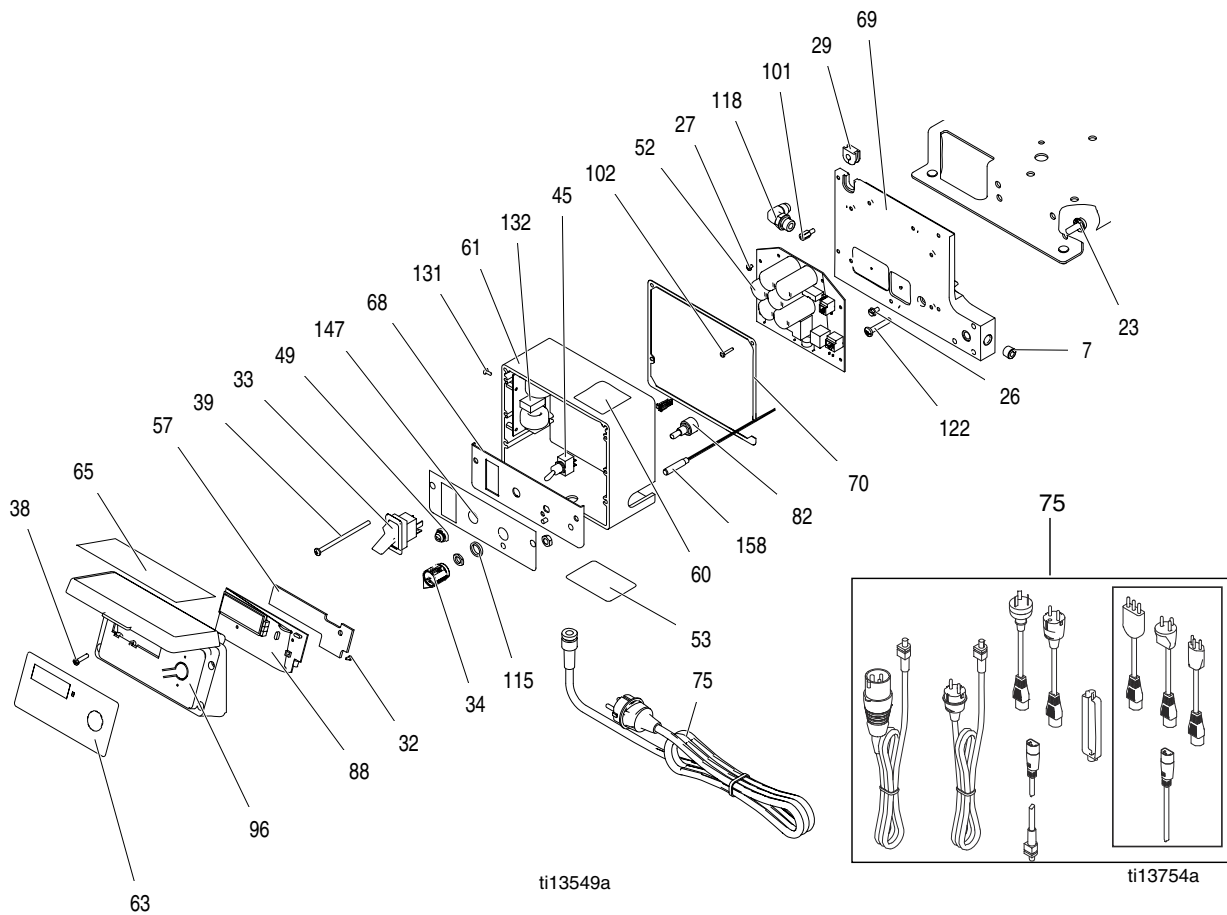


Parts List - 1095 / Mark V

Ref.	Part	Description	Qty.	Ref.	Part	Description	Qty.
6	15C753	SCREW, mach, hex wash hd	5		287294	Model 257042, 257045	
8	15E891	CLIP, retaining	2	91		PUMP, displacement, hd, Mark V	1
10	156306	WASHER, flat	2		287513	1095 Models	
11	119509	WHEEL, pneumatic	2		287928	Models 257043, 257044	
12	106115	WASHER, lock (hi-collar)	4		287929	Model 257045	
14	114666	SCREW, cap, socket head	4	93	248217	HOSE, drain, hi-boy	1
17	276974	CAP, leg	2	94		HOSE, coupled, 1/2 in.	1
19	110838	NUT, lock	8		288658	1095 Models	
22	116038	WASHER, wave spring	2		288659	Mark V Models	
24	15F116	LATCH, handle	1	103	287253	TOOLBOX (includes 104)	1
28	114672	WASHER, thrust	2	104	118852	SCREW, thd forming, hex washer	3
30	114699	WASHER, thrust	1	105	15Y455	BAR, kick stand	1
31	118444	SCREW, mach, slot hex wash hd	4	106	15C982	CAM, cart	2
36	116192	WASHER, thrust, (1595)	1	107	114531	SCREW, mach, hex washer hd	4
37	100057	SCREW, cap, hex hd	4	108	15F503	SCREW, set, socket head	1
41		FITTING, pump, quick disconnect	1	109	118494	O-RING, packing (1095 Models)	1
	15E802	1095 Models		118	120185	FITTING, hydraulic	1
	15G880	Mark V Models		123	276980	GROMMET, cover	2
43	119778	SPRING, retaining	1	124	119250	SCREW, shoulder	3
44	15F110	PIN, pump, 5900	1	126	15D088	FAN, motor	1
48	189920	STRAINER, (1-11 1/2 npsm)	1	127	115477	SCREW, mach, torx pan hd	1
51	15W633	COVER, drive, chrome	1	128▲	222385	TAG, warning	1
55		O-RING	1	136	195767	LABEL, warning, st	1
	119790	1095 Models		138	243301	LABEL, set, stpro, int'l (Models	1
	C20195	Mark V Models				257040, 257041, 257043, 257044)	
56	15F498	SCREW, adjustment	1	139	15E625	PIN, housing, bearing	1
58	15W632	SHIELD, motor, chrome	1	140	15G890	LATCH, bearing housing	1
62	24J083	FRAME, platinum, 1095/Mark V	1	141	111040	NUT, lock, insert, nylock, 5/16	2
71		LABEL, front	1	147	15X903	LABEL, Euro ultra platinum wo wd	1
	15D071	1095 Models		151	109450	PACKING, o-ring	1
	15F117	Mark V Models		152	15G584	RECEIVER, clamp	1
72		LABEL, side	1	153	116942	SCREW, shoulder, socket head	1
	15D072	1095 Models		154	15F584	LABEL, proconnect	1
	15F118	Mark V Models		156	288899	SHELF, ultra, pem assembly	1
76	249122	TUBE, intake (1095 Models)	1	159	278075	BRACKET, wire	1
77	278204	CLIP, drain line	1	160	278083	GUIDE, hose, ultra platinum	1
83	287933	HOUSING, bearing (5900)	1	165	117633	SCREW, slot hex wash hd	2
84	257187	MOTOR, electric, c104 1095	1	175	15W980	LABEL, platinum shroud	2
85	241279	ROD, connecting (5900) includes 43	1	181	15Y118	LABEL, Made in the USA	1
87	241920	DEFLECTOR, threaded	1	184	123739	SEAL, fitting flared	2
89	287290	GEAR, combination, 1595	1	186	100985	WASHER,lock ext	1
90		HOUSING, drive (includes 6, 36)	1				
	287295	Model 257040, 257041, 257043, 257044					

▲ Extra Danger and Warning tags and labels are available at no cost.

Parts - Control Box

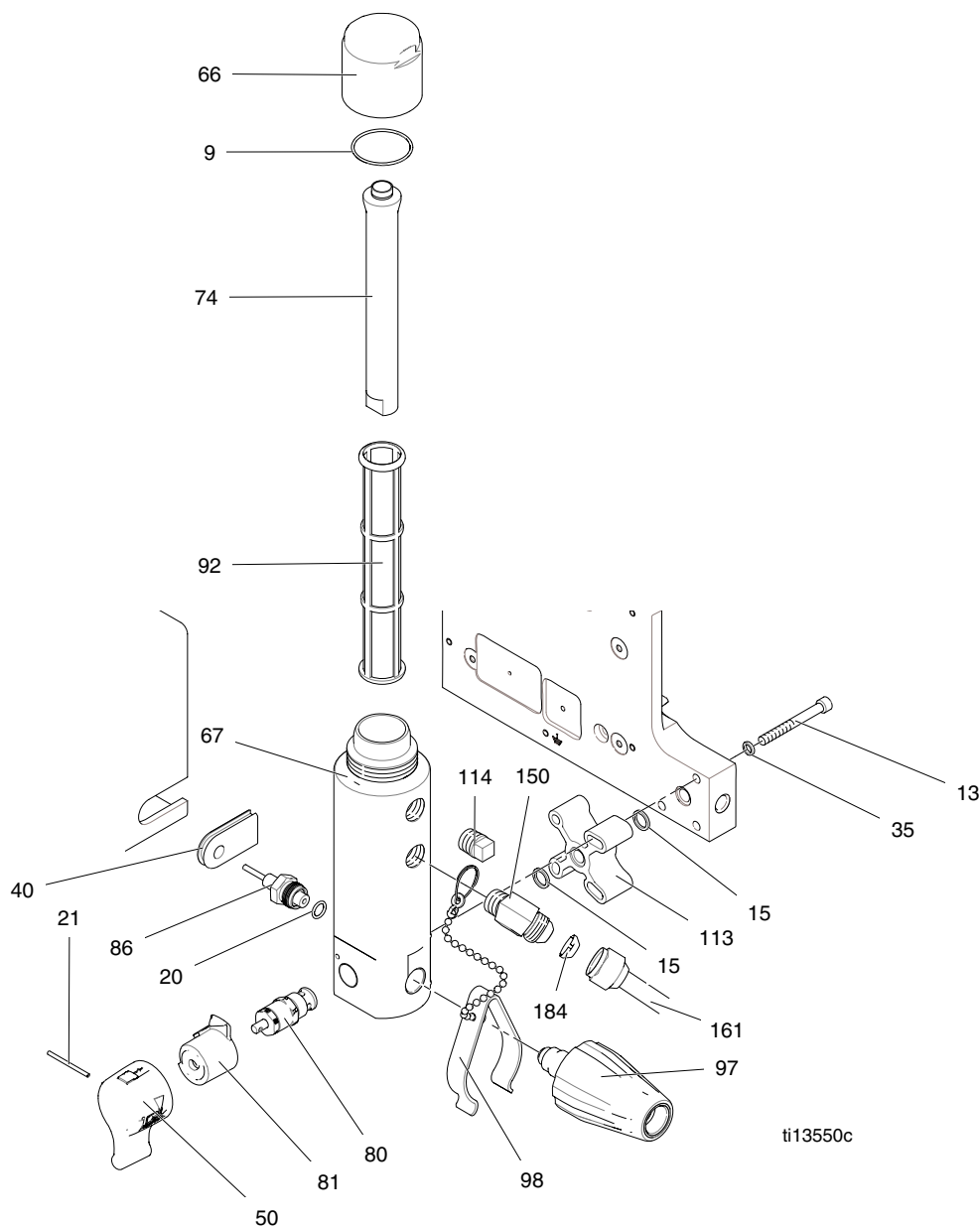


Ref.	Part	Description	Qty.
7	100721	PLUG, pipe	1
23	110963	SCREW, cap, flange head	2
26	114391	SCREW, grounding	1
27	113045	SCREW, sems, mach, phillips	6
29	15V996	GROMMET, motor lead	1
32*	115522	SCREW, mach, pnh	3
33		SWITCH, rocker, 240V	1
	15D527	Models 257034, 257035, 257037, 257038, 257040, 257041, 257043, 257044	
	15C979	Models 257036, 257039, 257042, 257045	
34	116167	KNOB, potentiometer	1
38*	116252	SCREW, #10, taptite phil	4
39	112381	SCREW, mach, pan head	4
45	119541	SWITCH, toggle (695/795/1095 Models)	1
49	195428	BOOT, toggle (695/795/1095 Models)	1
52		CONTROL, board	1
	257449	Models 257034, 257035, 257037, 257038, 257040, 257041, 257043, 257044	
	257448	Models 257036, 257039, 257042, 257045	
57*	15X893	PAD, foam	1
60	195793	LABEL, warning	1
61	15D431	BOX, control, 240V	1
63*	15X508	LABEL, brand, Smartcontrol LCD	1
65*	15X507	LABEL, brand, Smartcontrol	1
68	15X480	PANEL, control	1

Ref.	Part	Description	Qty.
69	15V937	PLATE, power bar	1
70	15D036	GASKET, control box	1
75		CORD, power, 240V	1
	15D528	Models 257034, 257037, 257040, 257043	
	15D529	Models 257035, 257038, 257041, 257044	
	15D530	Models 257036, 257039, 257042, 257045	
82	256219	POTENTIOMETER, assembly	1
88*	256229	CONTROL, board, receiver	1
96	257444	KIT, Repair	1
101	15V938	STUD, control board	6
102	114420	SCREW, mach, pnh, sems, phillips	2
115	122725	GASKET	1
118		FITTING	1
	116793	695/795/1095 Models	
	120185	Mark V Models	
122	115478	SCREW, mach, torx/slt pan hd	1
131	119228	SCREW, mach, flat hd	4
132	257905	FILTER, board	1
137	195551	RETAINER, plug, adapter (Models 257035, 257038, 257041, 257044)	1
143	287121	CORD SET (Models 257035, 257038, 257041, 257044)	1
147		LABEL, Euro platinum control	1
	15X553	695/795/1095 Models	
	15X903	Mark V Models	
158	122507	SWITCH, reed	1
184	122725	GASKET, sealing	1

* Included with 257444 KIT

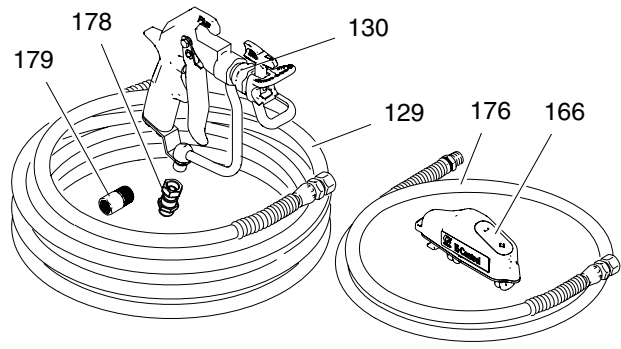
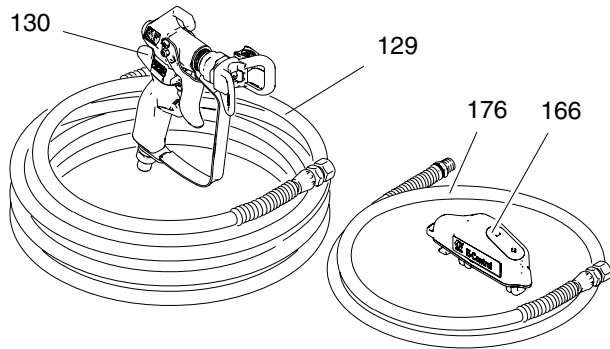
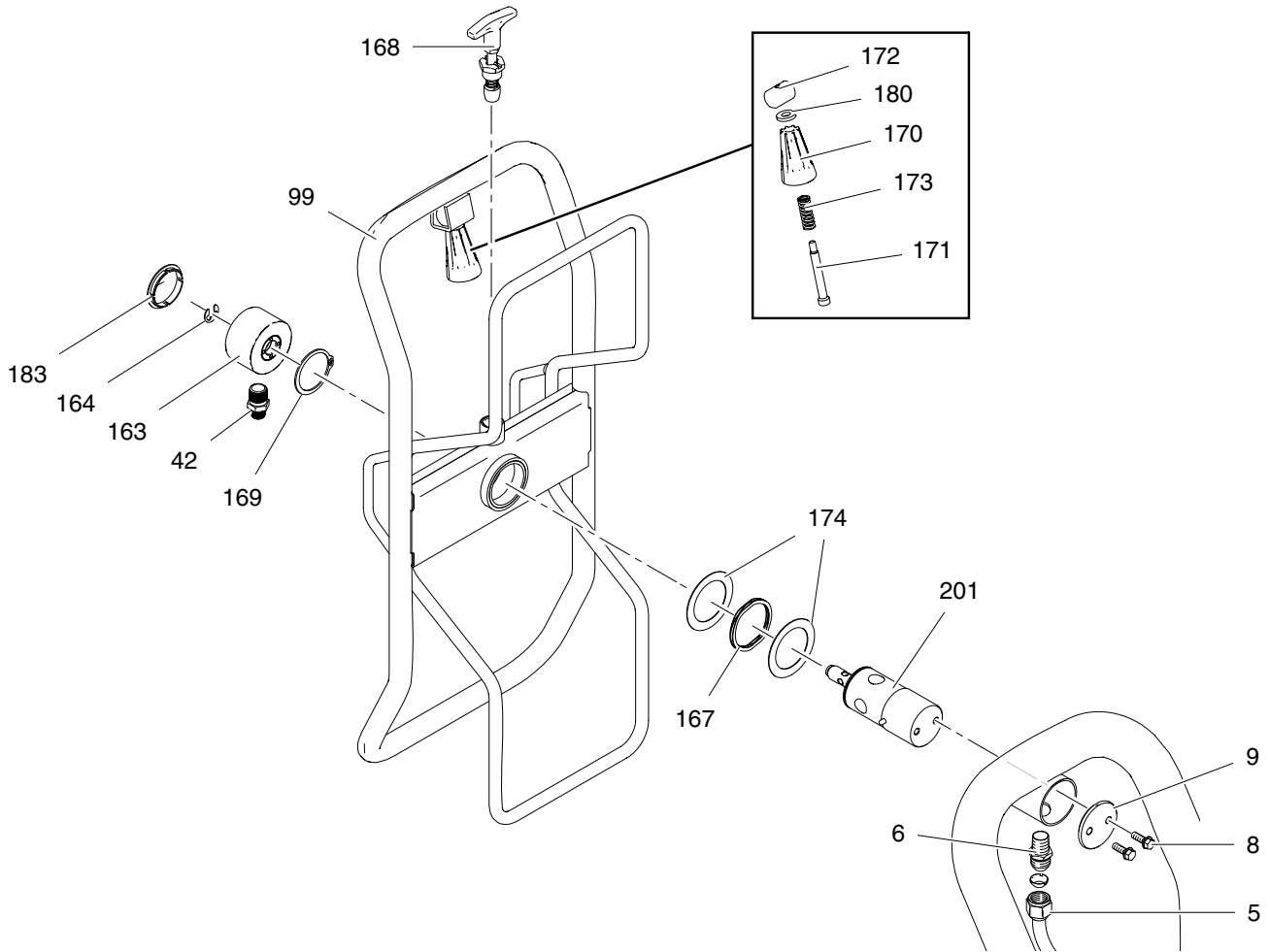
Parts - Filter



ti13550c

Ref.	Part	Description	Qty.	Ref.	Part	Description	Qty.
9	117285	PACKING, o-ring	1	244071	30 mesh	1	
13	C19817	SCREW, cap, socket head	3	244067	60 mesh, original equipment	1	
15	121513	PACKING, square ring	2	244068	100 mesh	1	
20	111457	PACKING, o-ring	1	244069	200 mesh	1	
21	15C972	PIN, grooved	1	97	287293	VALVE, AutoClean; includes 97a	1
35	105510	WASHER, lock, spring (hi-collar)	3	97a	15F950	GASKET	1
40	15D033	GROMMET, transducer	1	98	244346	KIT, repair, clamp, trigger	1
50	24B218	HANDLE, valve, prime, Autoclean	1	113	15F844	SPACER, manifold	1
66	15C765	CAP, filter	1	114	104813	PLUG, pipe	1
67	15C838	BASE, filter	1	150	122533	FITTING, 45 deg elbow, #8 jic x 3/8	1
74	15C766	TUBE, diffusion	1	161		TUBE, formed, ultra platinum	1
80	24A381	VALVE, prime, heavy duty	1	24J080		695/795 Models	
81	24A382	BASE, valve, heavy duty	1	24J081		1095/Mark V Models	
86	243222	TRANSDUCER, pressure control	1	184	123739	SEAL, fitting flared	2
92		FILTER, fluid					

Parts - Hose Reel



ti14917b

Ref.	Part	Description	Qty.	Ref.	Part	Description	Qty.	
5		TUBE, Formed, Ultra, Platinum	1	169	122524	RING, retaining, external	1	
	24J080	695/795 Models		170	278085	HANDLE, swivel	1	
	24J081	1095/Mark V Models		171	122518	SCREW, shoulder, sch	1	
6	121311	FITTING, Connector, NPT x JIC	1	172	15X618	NUT, swivel, handle	1	
8	260212	SCREW, Hex Washer HD	2	173	122542	SPRING, die	1	
9	16C975	PLATE, Pivot Mount	1	174	122607	WASHER, flat	2	
42		ADAPTER	1	176		HOSE, cpld, 1/4 in. x 3 ft	1	
	164672	695/795/1095 Models			240794	695/795/1095 Models		
	162485	Mark V Models			241735	Mark V Models		
99	24B691	REEL, hose, platinum	1	178	189018	SWIVEL, 5800 psi (Mark V Models)	1	
129		HOSE, coupled, 3/8 x 50	1	179	159841	BUSHING, 7250 psi, 3/8 x 1/4 (Mark V Models)	1	
	240794	695/795/1095 Models			180	122669	WASHER, flat	1
	240797	Mark V Models		183	122787	CAP	1	
130		GUN, spray, texture, unpackaged	1	201	16D008	TUBE, Hose Reel, Pivot	2	
	288475	695/795/1095 Models						
	241705	Mark V Models						
163	24B248	CAP, swivel, complete	1					
164	122347	RING, retaining, external	1					
166	24B194	TRANSMITTER, pressure, remote	1					
167	122534	SPRING, wave	1					
168	122517	PIN, pop, lock out	1					

Graco Standard Warranty

Graco warrants all equipment referenced in this document which is manufactured by Graco and bearing its name to be free from defects in material and workmanship on the date of sale to the original purchaser for use. With the exception of any special, extended, or limited warranty published by Graco, Graco will, for a period of twelve months from the date of sale, repair or replace any part of the equipment determined by Graco to be defective. This warranty applies only when the equipment is installed, operated and maintained in accordance with Graco's written recommendations.

This warranty does not cover, and Graco shall not be liable for general wear and tear, or any malfunction, damage or wear caused by faulty installation, misapplication, abrasion, corrosion, inadequate or improper maintenance, negligence, accident, tampering, or substitution of non-Graco component parts. Nor shall Graco be liable for malfunction, damage or wear caused by the incompatibility of Graco equipment with structures, accessories, equipment or materials not supplied by Graco, or the improper design, manufacture, installation, operation or maintenance of structures, accessories, equipment or materials not supplied by Graco.

This warranty is conditioned upon the prepaid return of the equipment claimed to be defective to an authorized Graco distributor for verification of the claimed defect. If the claimed defect is verified, Graco will repair or replace free of charge any defective parts. The equipment will be returned to the original purchaser transportation prepaid. If inspection of the equipment does not disclose any defect in material or workmanship, repairs will be made at a reasonable charge, which charges may include the costs of parts, labor, and transportation.

THIS WARRANTY IS EXCLUSIVE, AND IS IN LIEU OF ANY OTHER WARRANTIES, EXPRESS OR IMPLIED, INCLUDING BUT NOT LIMITED TO WARRANTY OF MERCHANTABILITY OR WARRANTY OF FITNESS FOR A PARTICULAR PURPOSE.

Graco's sole obligation and buyer's sole remedy for any breach of warranty shall be as set forth above. The buyer agrees that no other remedy (including, but not limited to, incidental or consequential damages for lost profits, lost sales, injury to person or property, or any other incidental or consequential loss) shall be available. Any action for breach of warranty must be brought within two (2) years of the date of sale.

GRACO MAKES NO WARRANTY, AND DISCLAIMS ALL IMPLIED WARRANTIES OF MERCHANTABILITY AND FITNESS FOR A PARTICULAR PURPOSE, IN CONNECTION WITH ACCESSORIES, EQUIPMENT, MATERIALS OR COMPONENTS SOLD BUT NOT MANUFACTURED BY GRACO. These items sold, but not manufactured by Graco (such as electric motors, switches, hose, etc.), are subject to the warranty, if any, of their manufacturer. Graco will provide purchaser with reasonable assistance in making any claim for breach of these warranties.

In no event will Graco be liable for indirect, incidental, special or consequential damages resulting from Graco supplying equipment hereunder, or the furnishing, performance, or use of any products or other goods sold hereto, whether due to a breach of contract, breach of warranty, the negligence of Graco, or otherwise.

FOR GRACO CANADA CUSTOMERS

The Parties acknowledge that they have required that the present document, as well as all documents, notices and legal proceedings entered into, given or instituted pursuant hereto or relating directly or indirectly hereto, be drawn up in English. Les parties reconnaissent avoir convenu que la rédaction du présente document sera en Anglais, ainsi que tous documents, avis et procédures judiciaires exécutés, donnés ou intentés, à la suite de ou en rapport, directement ou indirectement, avec les procédures concernées.

Graco Information

For the latest information about Graco products, visit www.graco.com.

TO PLACE AN ORDER, contact your Graco distributor or call 1-800-690-2894 to identify the nearest distributor.

*All written and visual data contained in this document reflects the latest product information available at the time of publication.
Graco reserves the right to make changes at any time without notice.*

Original instructions. This manual contains English. MM 313565

Graco Headquarters: Minneapolis
International Offices: Belgium, China, Japan, Korea

GRACO INC. AND SUBSIDIARIES • P.O. BOX 1441 • MINNEAPOLIS MN 55440-1441 • USA

Copyright 2009, Graco Inc. All Graco manufacturing locations are registered to ISO 9001.

www.graco.com
Revised 9/2011