

# T-Max 506/657 Mixer Mount

312771B

- Hopper mixer mount accessory for high production plastering applications -

## Model 289931

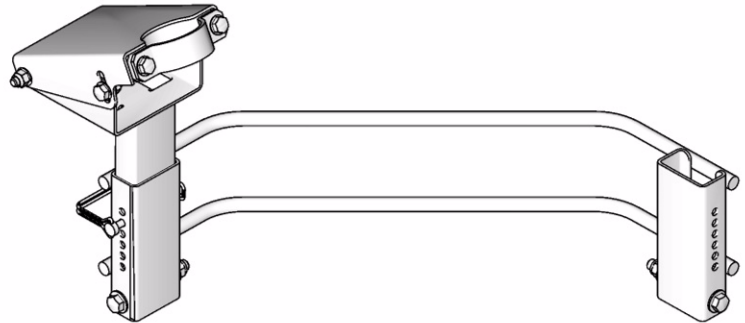


### Important Safety Instructions

Read all warnings and instructions in 312891 manual.  
Save these instructions

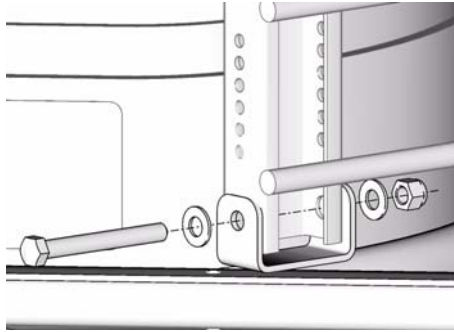


312891



ti116946a

PROVEN QUALITY. LEADING TECHNOLOGY.



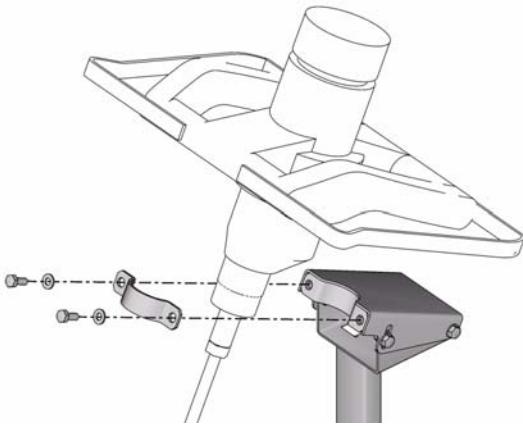
**1**

ti11945a



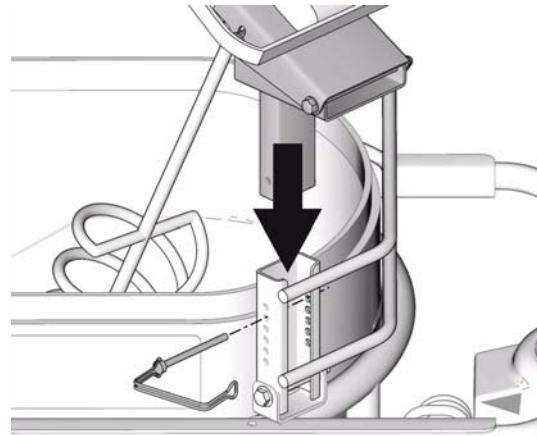
**2**

ti11948a



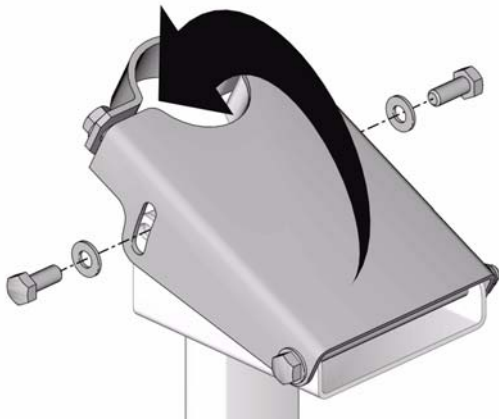
**3**

ti12136a



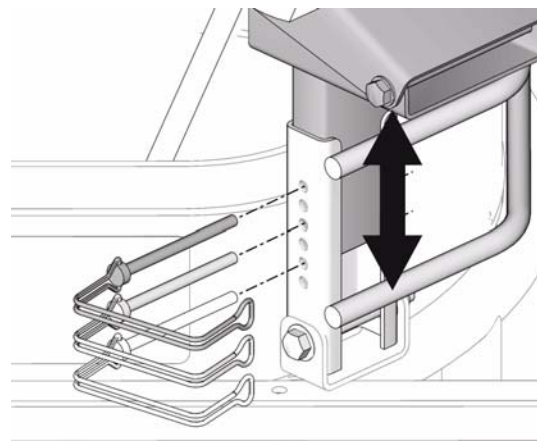
**4**

ti 12135a



**1**

ti12133a



**2**

ti12134a

# Instructions

## Mount Mixer Mount on Texture Hopper

- 1 Install bracket (9) on texture hopper frame with two screws (10), four washers (11) and two nuts (12).
- 2 Remove one of the two depressed areas in texture hopper cover to allow mixer to be in hopper with cover in place.
- 3 Mount mixer to mixer mount bracket (1) with clamp (8) and two screws (5) and washers (2).
- 4 Slide mixer and mixer mount assembly (1, 4) into bracket (9). Secure with ball coupler pin (6).

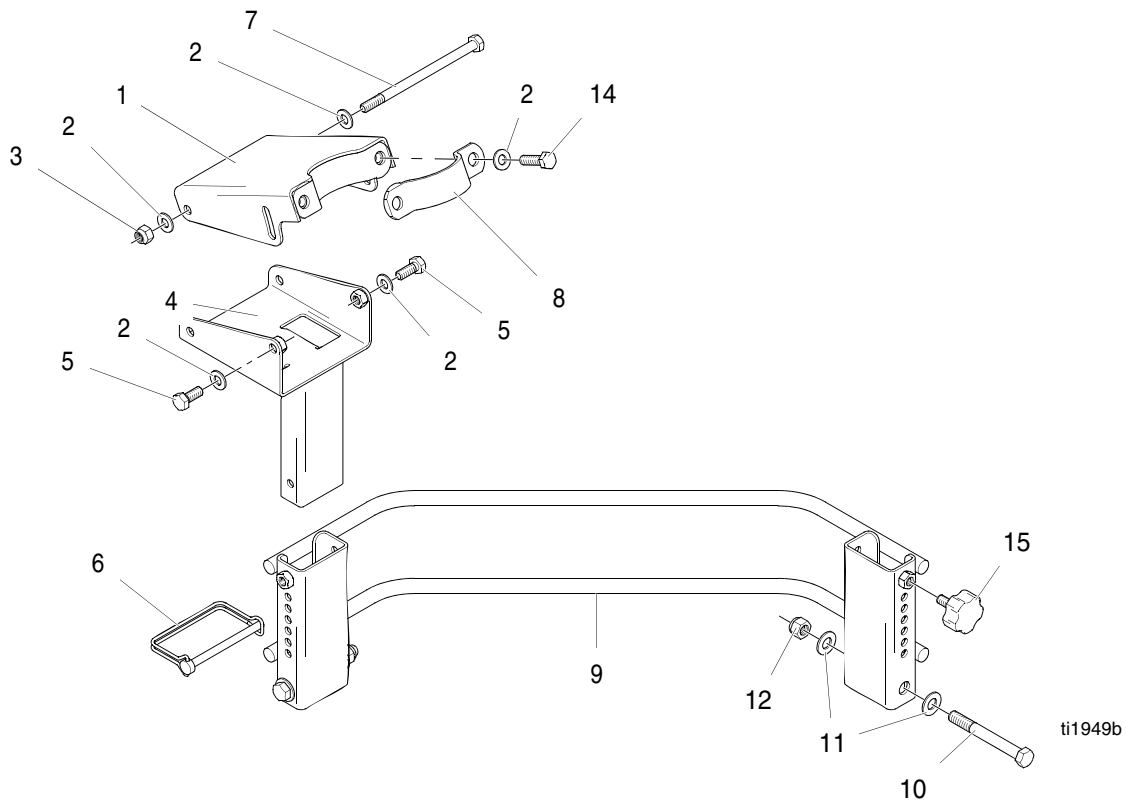
## Operation

- 1 Adjust mixer angle with two screws (5) and washers (2).
- 2 Adjust mixer height with ball coupler pin (6).

## Clean Up

- 1 Fill hopper with water. Operate mixer to clean mixer blades.
- 2 Flush residue with water.

# Parts



Ref	Part	Description	Qty
1	289930	BRACKET, mount, mixer, clamp	1
2	108788	WASHER, flat	6
3	104541	NUT, lock	1
4	289929	BRACKET, mount, mixer, pivot	1
5	105328	SCREW, cap, hex hd	2
6	113696	PIN, ball coupler	1
7	108786	SCREW, cap, hex hd	1
8	15U360	CLAMP, mixer, finished	1
9	289928	BRACKET, mount, mixer, cart	1
10	121592	SCREW, cap, hex head	2
11	100731	WASHER	4
12	101566	NUT, lock	2
14	121971	SCREW, cap, hex, hd	2
15	121972	KNOB, hand, 5-pronged	1

TO PLACE AN ORDER, contact your Graco distributor, or call **1-800-690-2894** to identify the nearest distributor.

This manual contains English: mm 312771

**Graco Headquarters:** Minneapolis  
**International Offices:** Belgium, China, Japan, Korea  
**GRACO INC. P.O. BOX 1441 MINNEAPOLIS, MN 55440-1441**

www.graco.com  
 4/2008