

**695 / 795 / 1095 / Mark IV / Mark V / Mark VII / Mark X  
Electric Airless Sprayers**

**333281E**

EN

*For Portable Airless Spraying of Architectural Coatings and Paints.*

*For professional use only. Not approved for use in European explosive atmosphere locations.*

3300 psi (227 bar, 22.7 MPa) Maximum Working Pressure



**Important Safety Instructions**

Read all warnings and instructions in this manual. Be familiar with the controls and the proper usage of the equipment. Save these instructions.

**Related Manuals:**



332916



309495

308491

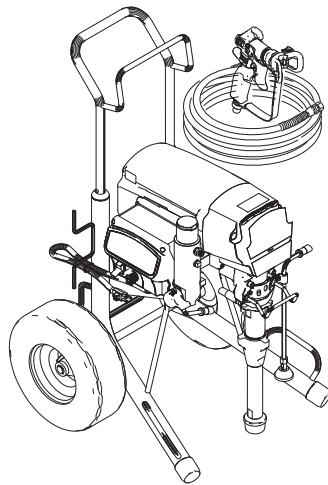
311861

311254

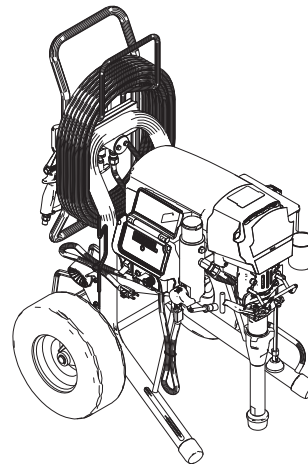


333028

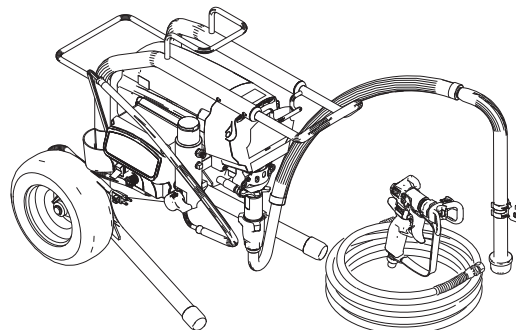
332922



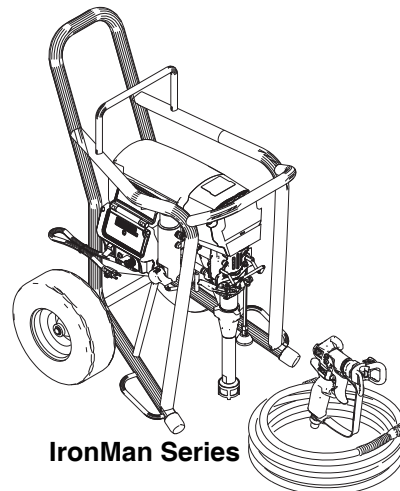
**Standard Hi-Boy Series**



**ProContractor Series**



**Standard Lo-Boy Series**



**IronMan Series**

ti22882a



# Models

<b>695 Ultra Max, Standard, ProContractor, IronMan Models</b>					
Model	Voltage	Standard Hi-Boy	Standard Lo-Boy	ProContractor	IronMan
16X656	230	X			
16X657	230	X			
16X658	120	X			
16X659	120	X			
16X660	230	X			
16X811	120		X		
16X812	230		X		
16Y635	230			X	
16Y637	230			X	
16Y638	120			X	
16Y639	230			X	

<b>795 Ultra Max, Standard, ProContractor, IronMan Models</b>					
Model	Voltage	Standard Hi-Boy	Standard Lo-Boy	ProContractor	IronMan
16X813	230		X		
16X870	230	X			
16X871	230	X			
16X872	120	X			
16X873	230	X			
16Y895	230			X	
16Y896	230			X	
16Y897	230			X	
16Y898	120			X	
16Y899	120			X	

<b>1095 Ultra Max, Standard, ProContractor, IronMan Models</b>					
Model	Voltage	Standard Hi-Boy	Standard Lo-Boy	ProContractor	IronMan
16X874	230	X			
16X875	230	X			
16X881	230	X			
16X882	120	X			
16Y829	230			X	
16Y830	230			X	
16Y831	120			X	
16Y832	230			X	
16Y833	120			X	
16Y869	230				X
16Y871	230				X

Mark IV/Mark V/Mark VII/Mark X Standard, ProContractor, IronMan Models												
Model #	Model	Voltage	Standard Hi-Boy	Pro-Contractor	IronMan	Flex Plus Gun	Blue Texture Gun	HD Inline Texture Gun	3/8in x 50ft + 1/4in x 3ft whip (9.5mm x 15m + 6.4mm x 0.9m whip)	3/8in x 100ft + 1/4in x 3ft whip (9.5mm x 30m + 6.4mm x 0.9m whip)	1/2in x 50ft + 3/8in x 12ft whip (12.7mm x 15m + 9.5mm x 3.7m whip)	1/2in x 100ft + 3/8in x 12ft whip (12.7mm x 30m + 9.5mm x 3.7m whip)
16X953	Mark IV	230	X			X			X			
16X954	Mark IV	230	X			X			X			
16X956	Mark IV	230	X			X			X			
16Y892	Mark IV	230		X		X				X		
16Y893	Mark IV	230		X		X				X		
16Y894	Mark IV	230		X		X				X		
16X944	Mark V	230	X				X		X			
16X947	Mark V	120			X		X			X		
16X965	Mark V	230	X				X		X			
16X966	Mark V	120	X				X		X			
16X967	Mark V	230	X				X		X			
16Y864	Mark V	230		X			X			X		
16Y865	Mark V	230		X			X			X		
16Y866	Mark V	120		X			X			X		
16Y867	Mark V	230		X			X			X		
16Y868	Mark V	120		X			X			X		
16Y872	Mark V	230			X		X			X		
16X948	Mark V	230			X		X			X		
16Y874	Mark V	230			X		X			X		
16Y763	Mark VII	230	X				X				X	
16Y919	Mark VII	230	X				X				X	
16Y920	Mark VII	230		X				X				X
16Y921	Mark VII	230		X				X				X
16Y534	Mark X	230	X					X			X	
16Y535	Mark X	230	X					X			X	
16Y536	Mark X	230	X					X			X	
16Y910	Mark X	230		X				X				X
16Y912	Mark X	230		X				X				X
16Y913	Mark X	230		X				X				X

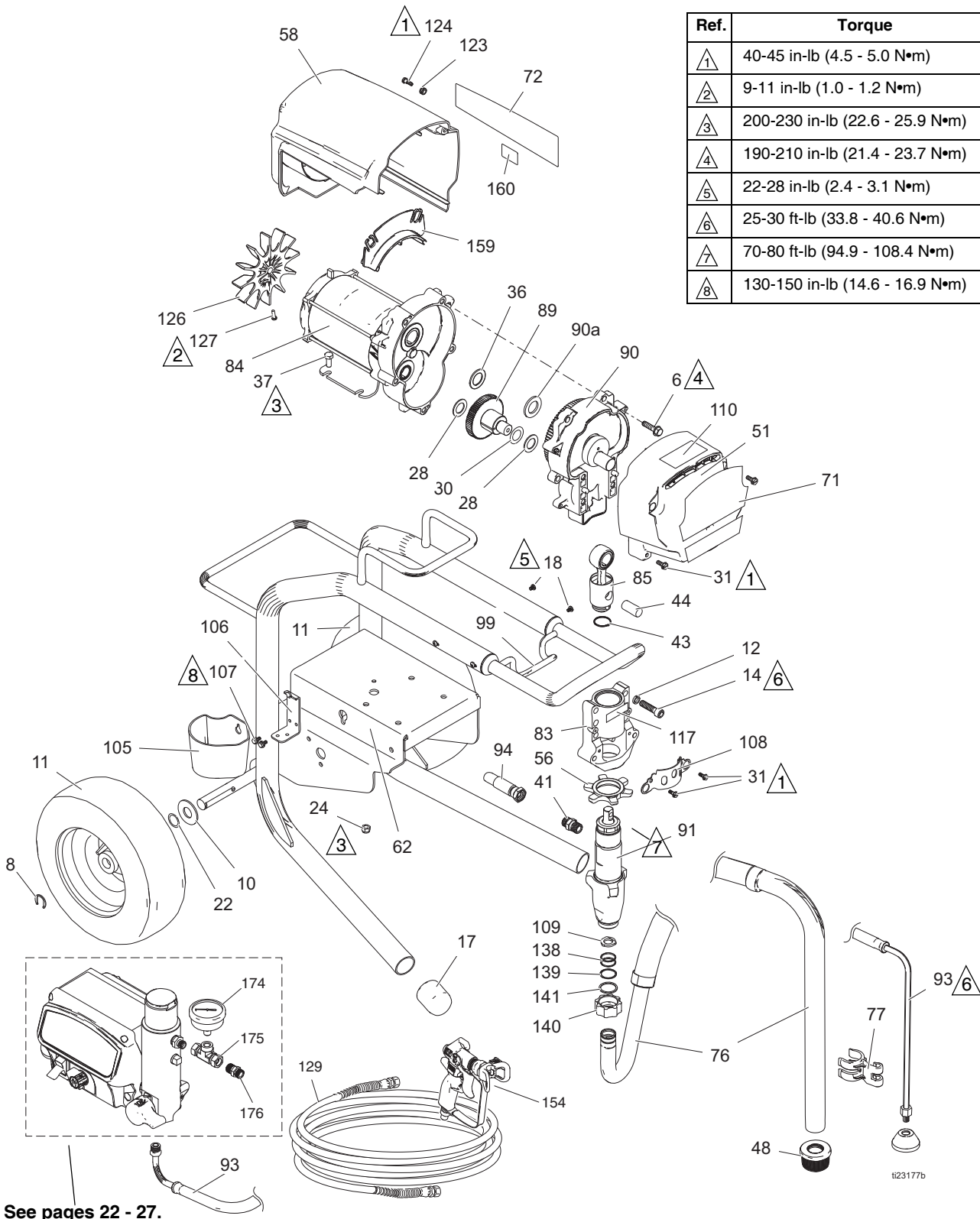
# Table of Contents

<b>Models</b> .....	<b>2</b>	<b>1095/MARK V/Mark VII ProContractor</b> .....	<b>16</b>
<b>Table of Contents</b> .....	<b>4</b>	1095/MARK V/Mark VII ProContractor Parts List	17
<b>Notes</b> .....	<b>5</b>	<b>Mark X ProContractor</b> .....	<b>18</b>
<b>695/795 Lo-Boy Standard</b> .....	<b>6</b>	Mark X ProContractor .....	19
695/795 Lo-Boy Standard Parts List .....	7	<b>1095/Mark V IronMan</b> .....	<b>20</b>
<b>695/795/Mark IV Hi-Boy Standard</b> .....	<b>8</b>	1095/Mark V IronMan .....	21
695/795/Mark IV Hi-Boy Standard Parts List ...	9	<b>Hose Reel and Gun</b> .....	<b>22</b>
<b>1095/Mark V/Mark VII Hi-Boy Standard</b> .....	<b>10</b>	Parts List .....	22
1095/Mark V/Mark VII Hi-Boy Standard .....	11	<b>Control Box</b> .....	<b>23</b>
<b>Mark X Standard</b> .....	<b>12</b>	Parts List .....	24
Mark X Standard Parts List .....	13	<b>Wiring Diagram</b> .....	<b>25</b>
<b>695/795/MARK IV ProContractor</b> .....	<b>14</b>	<b>Wiring Diagram</b> .....	<b>26</b>
695/795/MARK IV ProContractor Parts List ...	15	<b>Filter</b> .....	<b>27</b>
		Parts List .....	27
		<b>Graco Standard Warranty</b> .....	<b>28</b>



# 695/795 Lo-Boy Standard

Ref.	Torque
1	40-45 in-lb (4.5 - 5.0 N•m)
2	9-11 in-lb (1.0 - 1.2 N•m)
3	200-230 in-lb (22.6 - 25.9 N•m)
4	190-210 in-lb (21.4 - 23.7 N•m)
5	22-28 in-lb (2.4 - 3.1 N•m)
6	25-30 ft-lb (33.8 - 40.6 N•m)
7	70-80 ft-lb (94.9 - 108.4 N•m)
8	130-150 in-lb (14.6 - 16.9 N•m)



See pages 22 - 27.

## 695/795 Lo-Boy Standard Parts List

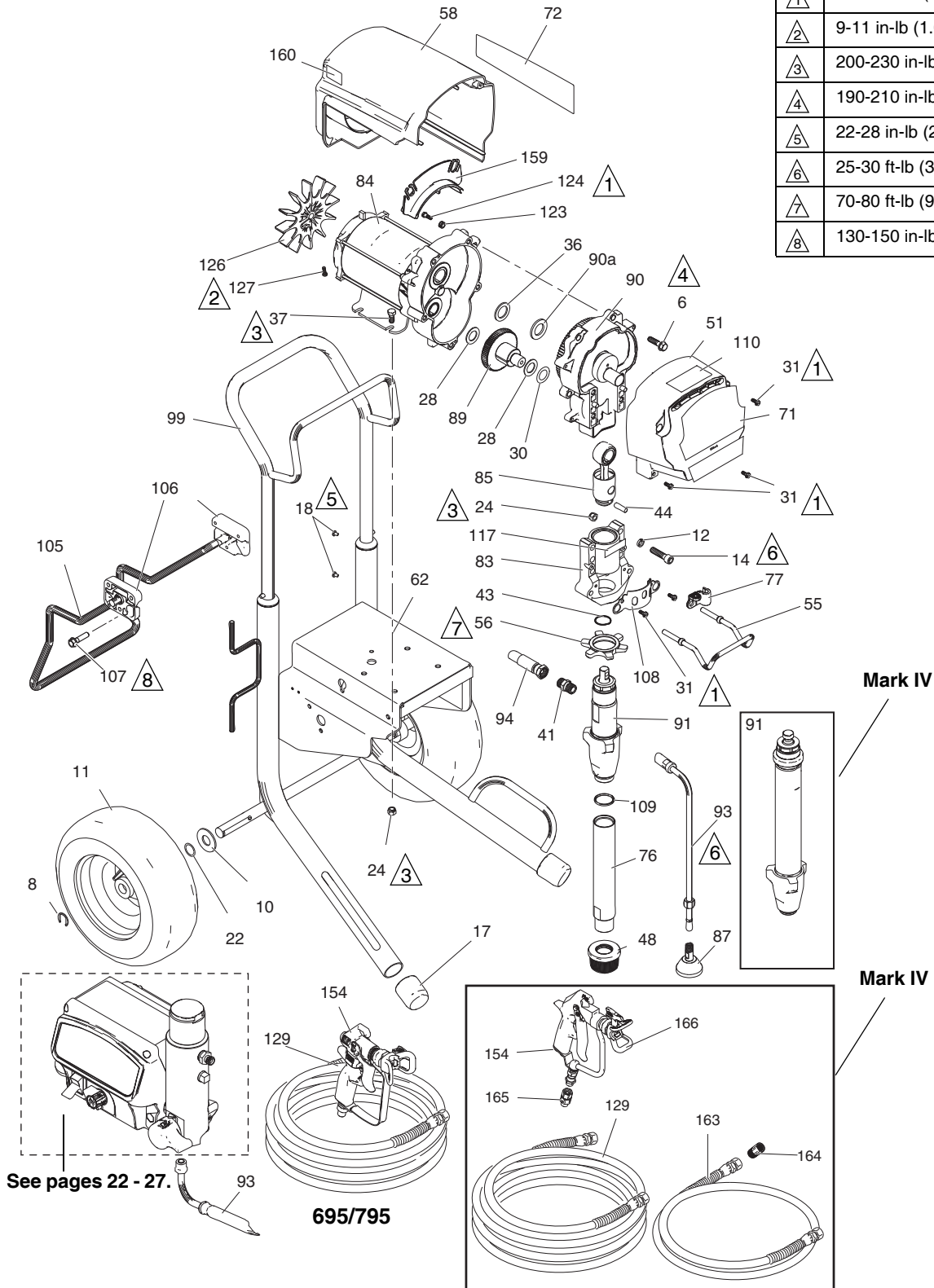
Ref.	Part	Description	Qty.	Ref.	Part	Description	Qty.
6	15C753	SCREW, mach, torx, hex	5	85	241008	ROD, connecting; <i>includes 43</i>	1
8	15E891	CLIP, retaining	2	87	241920	DEFLECTOR, threaded	1
10	156306	WASHER, flat	2	89	287289	GEAR, combination; <i>includes 28, 30</i>	1
11*	119420	WHEEL, pneumatic	2				
12	106115	WASH, lock, spring	4	90	287283	HOUSING, drive, M1; <i>includes 6, 36, 90a</i>	1
14	110141	SCREW, cap, socket hd	4				
17	15C871	CAP, leg	2	90a	107089	WASHER, race, thrust	1
18	109032	SCREW, mach, prnh	4	91	16Y598	PUMP, displacement 695/795	1
22	116038	WASHER, wave spring	2	93	248217	HOSE, drain; <i>includes 87</i>	1
24	111040	NUT, hex, flanged	4	94	16X904	HOSE, coupled, 1/4 x 15.75	1
28	114672	WASHER, thrust	2	99	24A249	HANDLE, cart	1
30	114699	WASHER, thrust	1	105	276975	CUP, drain	1
31	118444	SCREW, machine, hex washer hd	6	106	15F952	BRACKET, drain cup	1
36	116191	WASHER, thrust	1	107	114423	SCREW, mach, hex hd	2
37	100057	SCREW, cap, hex hd	4	108	16X770	SHIELD, pump rod	1
41	196178	FITTING	1	109	115099	WASHER, garden hose	1
43	176817	SPRING, retaining	1	110	16X983	LABEL, standard series	1
44	176818	PIN, str, hdls	1	117	187437	LABEL, torque	1
48	189920	STRAINER, (1-11 1/2 NPSM)	1	123	276980	GROMMET, cover	2
51	24V023	COVER, drive, plastic, painted; <i>includes 31</i>	1	124	119250	SCREW, shoulder, hex washer	2
				126	15D088	FAN, motor	1
56	192723	NUT, retaining	1	127	115477	SCREW, mach, torx, pan hd	1
58	287281	695 SHIELD, motor, painted; <i>includes 123, 124</i>	1	128▲	222385	TAG, WARNING (not shown)	1
				129	240794	HOSE, cpld, 1/4 in. x 50 ft	1
62	24Y424	FRAME, cart	1	138	117559	O-RING	2
71		LABEL	1	139	118505	RING, retaining, external	1
	16X364	695		140	15C980	NUT, jam	1
	16X367	795		141	15C981	WASHER, suction swivel	1
72		LABEL	1	154	288420	GUN, contractor	1
	16X365	695		159	278075	BAFFLE	1
	16X366	795		160	15Y118	LABEL, Made in USA	1
76	248216	HOSE, suction; <i>includes 109, 138, 139, 140, 141</i>	1	174	115523	GAUGE, pressure	1
77	15D000	CLIP, drain line	1	175	119783	FITTING, tee swivel	1
83	24V026	HOUSING, bearing; <i>includes 12, 14, 31, 108, 117</i>	1	176	162453	FITTING	1
84	257185	MOTOR, electric; <i>includes 126, 127</i>	1				

\* 253132 KIT, repair, tube, 11 in.

▲Extra Danger & Warning tags & labels available free.

# 695/795/Mark IV Hi-Boy Standard

Ref.	Torque
△1	40-45 in-lb (4.5 - 5.0 N•m)
△2	9-11 in-lb (1.0 - 1.2 N•m)
△3	200-230 in-lb (22.6 - 25.9 N•m)
△4	190-210 in-lb (21.4 - 23.7 N•m)
△5	22-28 in-lb (2.4 - 3.1 N•m)
△6	25-30 ft-lb (33.8 - 40.6 N•m)
△7	70-80 ft-lb (94.9 - 108.4 N•m)
△8	130-150 in-lb (14.6 - 16.9 N•m)





## 695/795/Mark IV Hi-Boy Standard Parts List

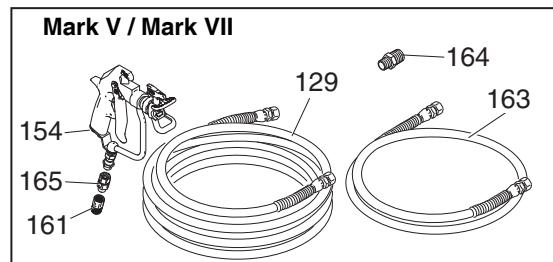
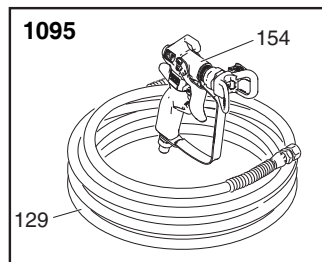
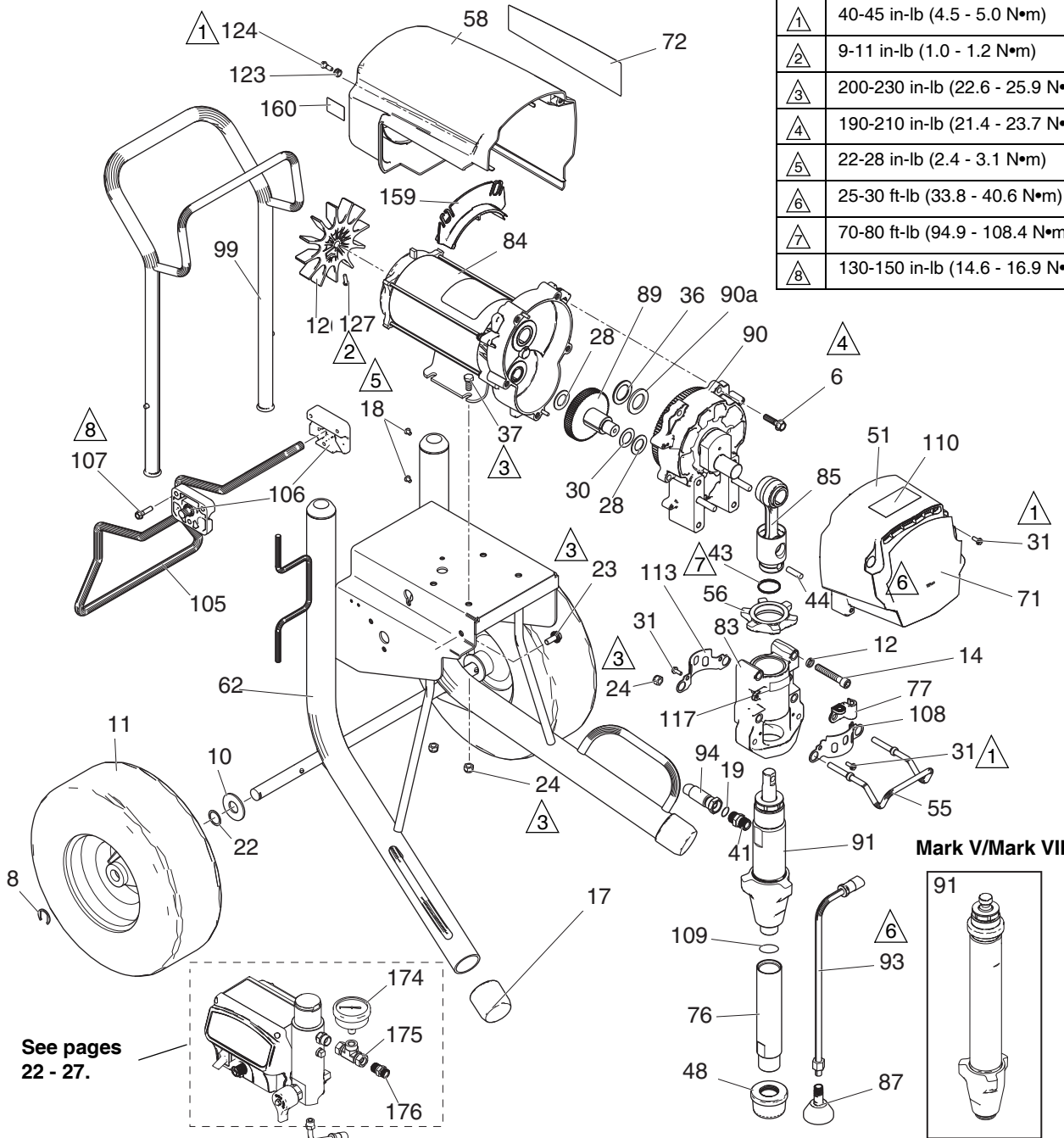
Ref.	Part	Description	Qty.	Ref.	Part	Description	Qty.
6	15C753	SCREW, mach, torx, hex	5		287284	795	
8	15E891	CLIP, retaining	2	90a	107089	WASHER, race, thrust	1
10	156306	WASHER, flat	2	91		PUMP, displacement;	1
11*	119420	WHEEL, pneumatic	2			<i>includes 41, 109</i>	
12	106115	WASH, lock, spring	4		16Y598	695/795	
14	110141	SCREW, cap, socket hd	4		16X428	Mark IV	
17	15C871	CAP, leg	2	93	244240	HOSE, coupled; <i>includes 87</i>	1
18	109032	SCREW, mach, pnh	4	94	16X904	HOSE, coupled, 1/4 x 15.75	1
22	116038	WASHER, wave spring	2	99	287489	HANDLE, cart	1
24	111040	NUT, hex, flanged	6	105	16X695	HANGER, stand, cart	1
28	114672	WASHER, thrust	2	106	15C982	CAM, cart	2
30	114699	WASHER, thrust	1	107	114531	SCREW, mach, hex washer	4
31	118444	SCREW, machine, hex washer hd	6	108	16X770	SHIELD, pump rod	1
36	116191	WASHER, thrust	1	109	118494	PACKING, o-ring	1
37	100057	SCREW, cap, hex hd	4	110	16X983	LABEL, standard series	1
41	196178	FITTING	1	117	187437	LABEL, torque	1
43	176817	SPRING, retaining	1	123	276980	GROMMET, cover	2
44	176818	PIN, str, hdls	1	124	119250	SCREW, shoulder, hex, washer	2
48	189920	STRAINER, (1-11 1/2 NPSM)	1	126	15D088	FAN, motor	1
51	24V023	COVER, drive, plastic, painted;	1	127	115477	SCREW, mach, torx, pan, hd	1
		<i>includes 31</i>		128▲	222385	TAG, WARNING (not shown)	1
55	16C457	HANGER, pail	1	129		HOSE, cpld	1
56	192723	NUT, retaining	1		240794	695/795	
58		SHIELD, motor, painted;	1		240797	Mark IV	
		<i>includes 123, 124</i>		154		GUN, contractor	1
	287281	695/Mark IV			288420	695/795	
	287282	795			246468	Mark IV	
62	24Y429	FRAME, cart	1	159	278075	BAFFLE	1
71		LABEL	1	160	15Y118	LABEL, Made in USA	1
	16X364	Ultra 695		163	241735	HOSE, coupled, 1/4 in. x 3 ft	1
	16X367	Ultra 795		164	159841	BUSHING, 3/8 in. x 1/4 in.	1
	16X357	TexSpray Mark IV		165	189018	SWIVEL, assembly	1
72		LABEL	1	166	246215	GUARD, RAC X	1
	16X365	Ultra 695		174	115523	GAUGE, pressure	1
	16X366	Ultra 795		175		FITTING, tee swivel	1
	16X354	TexSpray Mark IV			119783	695/795	
76	248214	TUBE, intake; <i>includes 109</i>	1		127518	Mark IV	
77	278204	CLIP, spring	1	176		FITTING	1
83	24V026	HOUSING, bearing; <i>includes 12, 14,</i>	1		162453	695/795	
		<i>24, 31, 55, 77, 108, 117</i>			196178	Mark IV	
84		MOTOR, electric; <i>includes 106, 127</i>	1				
	257185	695/Mark IV					
	257186	795					
85	241008	ROD, connecting; <i>includes 43</i>	1				
87	241920	DEFLECTOR, threaded	1				
89	287289	GEAR, combination;	1				
		<i>includes 28, 30</i>					
90		HOUSING, drive, M1;	1				
		<i>includes 6, 36, 90a</i>					
	287283	695/Mark IV					

▲ Extra Danger and Warning tags and labels available free.

\* 253132 KIT, repair, tube

# 1095/Mark V/Mark VII Hi-Boy Standard

Ref.	Torque
①	40-45 in-lb (4.5 - 5.0 N•m)
②	9-11 in-lb (1.0 - 1.2 N•m)
③	200-230 in-lb (22.6 - 25.9 N•m)
④	190-210 in-lb (21.4 - 23.7 N•m)
⑤	22-28 in-lb (2.4 - 3.1 N•m)
⑥	25-30 ft-lb (33.8 - 40.6 N•m)
⑦	70-80 ft-lb (94.9 - 108.4 N•m)
⑧	130-150 in-lb (14.6 - 16.9 N•m)



ti23223c

## 1095/Mark V/Mark VII Hi-Boy Standard

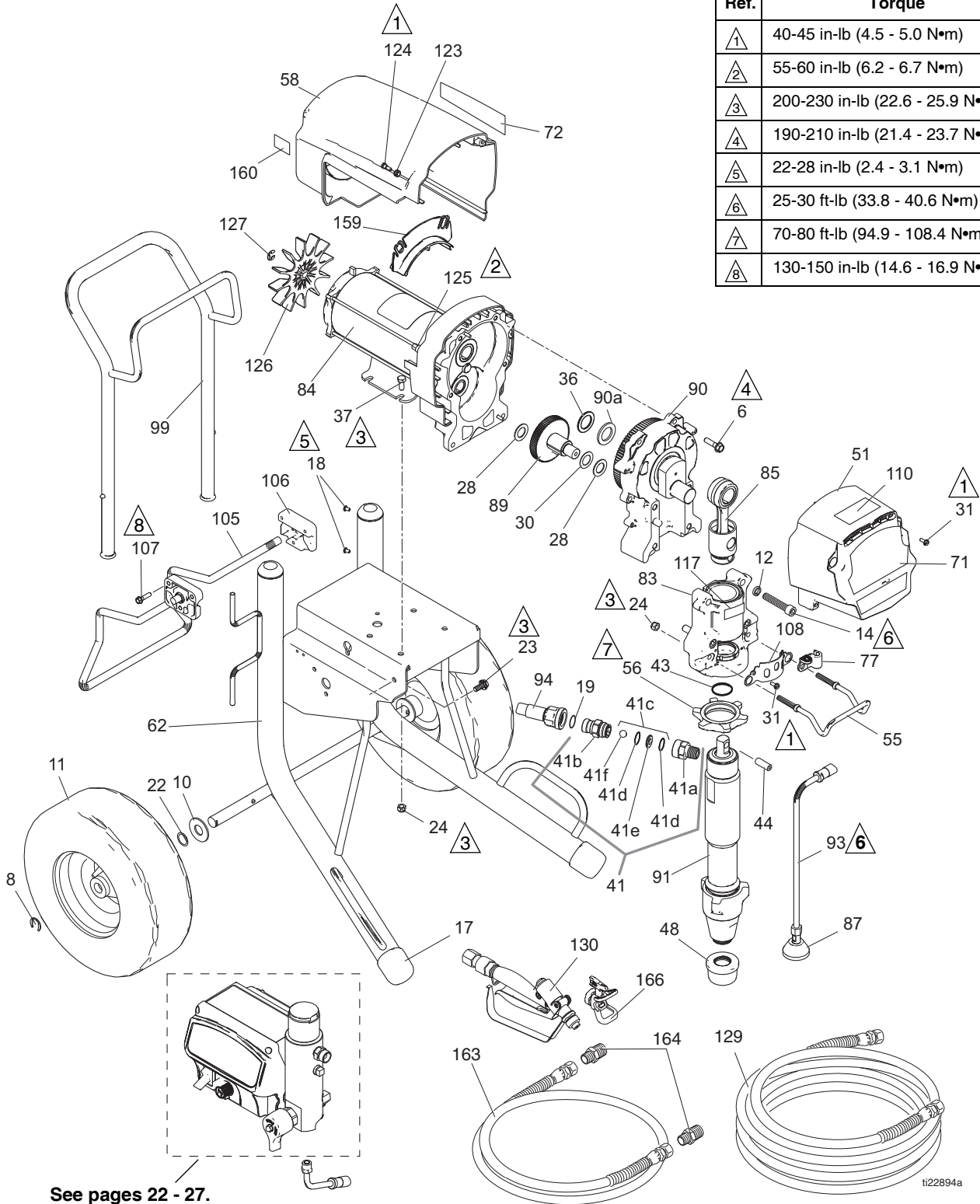
Ref.	Part	Description	Qty.	Ref.	Part	Description	Qty.
6	15C753	SCREW, mach, torx, hex	5		287295	1095/Mark V	
8	15E891	CLIP, retaining	2	90a	194173	WASHER, race, thrust	1
10	156306	WASHER, flat	2	91		PUMP, displacement; <i>includes 41, 76, 109</i>	1
11*	119509	WHEEL, pneumatic	2		16Y706	1095	
12	106115	WASH, lock, spring	4		16Y601	Mark VII	
14	114666	SCREW, cap, socket hd	4		16X429	Mark V	
17	276974	CAP, leg	2	93	244240	HOSE, drain; <i>includes 87</i>	1
18	108795	SCREW, mach, pnh	4	94		HOSE, coupled	1
19	102982	PACKING, o-ring (Mark V/Mark VII)	1		16X904	1095	
22	116038	WASHER, wave spring	2		24V029	Mark V/Mark VII; <i>includes 19</i>	
23	117791	SCREW, cap, flng hd	2	99	24A250	HANDLE, cart	1
24	111040	NUT, hex, flanged	6	105	16X696	HANGER, stand, cart	1
28	114672	WASHER, thrust	2	106	15C982	CAM, cart	2
30	114699	WASHER, thrust	1	107	114531	SCREW, mach, hex washer	4
31	118444	SCREW, machine, hex washer hd	8	108	16X770	PUMP, shield rod	1
36	116192	WASHER, thrust	1	109	118494	PACKING, o-ring	1
37	100057	SCREW, cap, hex hd	4	110	16X983	LABEL, Ultra Premium, sides	1
41		FITTING, pump, quick disc	1	113	15C762	SHIELD, pump rod	1
	196178	1095		117	187437	LABEL, torque	1
	16X834	Mark V/Mark VII		123	276980	GROMMET, cover	2
43	119778	SPRING, retaining	1	124	119250	SCREW, shoulder, hex, washer	3
44	183210	PIN, pump	1	126	15D088	FAN, motor	1
48	189920	STRAINER, (1-11 1/2 NPSM)	1	127	115477	SCREW, mach, torx, pan, hd	1
51	24V024	COVER, drive, plastic, painted; <i>includes 31</i>	1	128▲	222385	TAG, WARNING (not shown)	1
55	16C457	HANGER, pail	1	129		HOSE, cpld	1
56	193031	NUT, retaining	1		240794	Ultra 1095	
58	287282	SHIELD, motor, painted; <i>includes 123, 124</i>	1		278499	Mark VII	
62	24Y428	FRAME, cart 1095	1	154	240797	Mark V	
71		LABEL, UltraMax	1			GUN, contractor 1095	1
	16X368	1095			288420	1095	
	16Y960	Mark VII			289605	Mark VII	
	16X360	Mark V			289605	Mark V	
72		LABEL, UltraMax II	1	159	278075	BAFFLE	1
	16X369	1095		160	15Y118	LABEL, Made in USA	1
	16Y961	Mark VII		161	110476	FITTING, Mark VII	1
	16X361	Mark V		163		HOSE, whip	1
76	248215	TUBE, intake; <i>includes 109</i>	1		191239	Mark VII	
77	278204	CLIP, drain line	1		241735	Mark V	
83	24V027	HOUSING, bearing; <i>includes 12, 14, 24, 31, 55, 77, 108, 113, 117</i>	1	164		FITTING, hose	1
84		MOTOR, electric; <i>includes 126, 127</i>	1		159239	Mark VII	
	257187	1095/Mark V			159841	Mark V	
	257188	Mark VII/UK Mark V		165	189018	SWIVEL, assembly	1
85	24V021	ROD, connecting; <i>includes 43, 44</i>	1	174	115523	GAUGE, pressure	1
87	241920	DEFLECTOR, threaded	1	175		FITTING, tee	
89	287290	GEAR, combination; <i>includes 28, 30</i>	1		119783	1095	
90		HOUSING, drive, M1; <i>includes 6, 36, 90a</i>	1	176	127518	Mark V/Mark VII	
	24M417	Mark VII				FITTING	1
					162453	1095	
					183285	Mark VII	
					196178	Mark V	

▲ Extra Danger and Warning tags and labels available free.

\* 253131 KIT, repair, tube

# Mark X Standard

Ref.	Torque
①	40-45 in-lb (4.5 - 5.0 N•m)
②	55-60 in-lb (6.2 - 6.7 N•m)
③	200-230 in-lb (22.6 - 25.9 N•m)
④	190-210 in-lb (21.4 - 23.7 N•m)
⑤	22-28 in-lb (2.4 - 3.1 N•m)
⑥	25-30 ft-lb (33.8 - 40.6 N•m)
⑦	70-80 ft-lb (94.9 - 108.4 N•m)
⑧	130-150 in-lb (14.6 - 16.9 N•m)



See pages 22 - 27.

## Mark X Standard Parts List

Ref.	Part	Description	Qty.	Ref.	Part	Description	Qty.
6	15C753	SCREW, mach, torx, hex	6	84	258909	MOTOR, electric; <i>includes 125, 126, 127</i>	1
8	15E891	CLIP, retaining	2	85	24V022	ROD, connecting; <i>includes 43, 44</i>	1
10	156306	WASHER, flat	2	87	241920	DEFLECTOR, threaded	1
11*	119509	WHEEL, pneumatic	2	89	288035	GEAR, combination; <i>includes 28, 30</i>	1
12	112600	WASH, lock, spring	4	90	287990	HOUSING, drive; <i>includes 6, 36, 90a</i>	1
14	112599	SCREW, cap, socket hd	4	90a	194173	WASHER, race, thrust	1
17	276974	CAP, leg	2	91	16X425	PUMP, displacement	1
18	108795	SCREW, mach, pnh	4	93	244240	HOSE, drain; <i>includes 87</i>	1
19	102982	O-RING	1	94	24V029	HOSE, coupled; <i>includes 19</i>	1
22	116038	WASHER, wave spring	2	99	24A250	HANDLE, cart	1
23	117791	SCREW, cap, flng hd	2	105	16X696	HANGER, stand, cart	1
24	111040	NUT, lock	6	106	15C982	CAM, cart	2
28	114672	WASHER, thrust	2	107	114531	SCREW, mach, hex washer	4
30	114699	WASHER, thrust	1	108	16X770	SHIELD, pump rod	1
31	118444	SCREW, machine, hex washer hd	6	110	16X983	LABEL, Standard series	1
36	116192	WASHER, thrust	1	117	187437	LABEL, torque	1
37	100057	SCREW, cap, hex hd	4	123	276980	GROMMET, cover	2
41	24U755	VALVE, check, quick disc	1	124	119250	SCREW, shoulder, hex, washer	3
41a	16N461	HOUSING, seat, check valve	1	125	15G845	SPACER, standoff	2
41b	16X837	HOUSING, ball, check valve	1	126	15V577	FAN, motor	1
41c	24M725	KIT, repair, check valve; <i>includes 41d, 41e, 41f</i>	1	127	122347	SCREW, mach, torx, pan, hd	1
41d		O-RING	2	128▲	222385	TAG, WARNING (not shown)	1
41e		SEAT	1	129	278499	HOSE, cpld, 1/2 in. x 50 ft	1
41f		BALL	1	154	245820	GUN, spray, texture	1
43	119677	SPRING, retaining	1	159	278075	BAFFLE	1
44	197443	PIN, pump	1	160	15Y118	LABEL, Made in USA	1
48	189920	STRAINER, (1-11 1/2 NPSM)	1	163	191239	HOSE, cpld, 3/8 in. x 12 ft	1
51	24V025	COVER, drive, plastic, painted; <i>includes 31</i>	1	164	159239	ADAPTER	2
55	16C457	HANGER, pail	1	166	246215	GUARD, RAC X	1
56	193394	NUT, retaining	1	174	115523	GAUGE, pressure	1
58	287282	SHIELD, motor, painted; <i>includes 123, 124</i>	1	175	127518	FITTING, tee swivel	1
62	24Y428	FRAME, cart	1	176	183285	FITTING	1
71	16X362	LABEL, Mark X	1				
72	16X363	LABEL, Mark X	1				
77	278204	CLIP, drain line	1				
83	24V028	HOUSING, bearing; <i>includes 12, 14, 24, 31, 55, 77, 108, 117</i>	1				

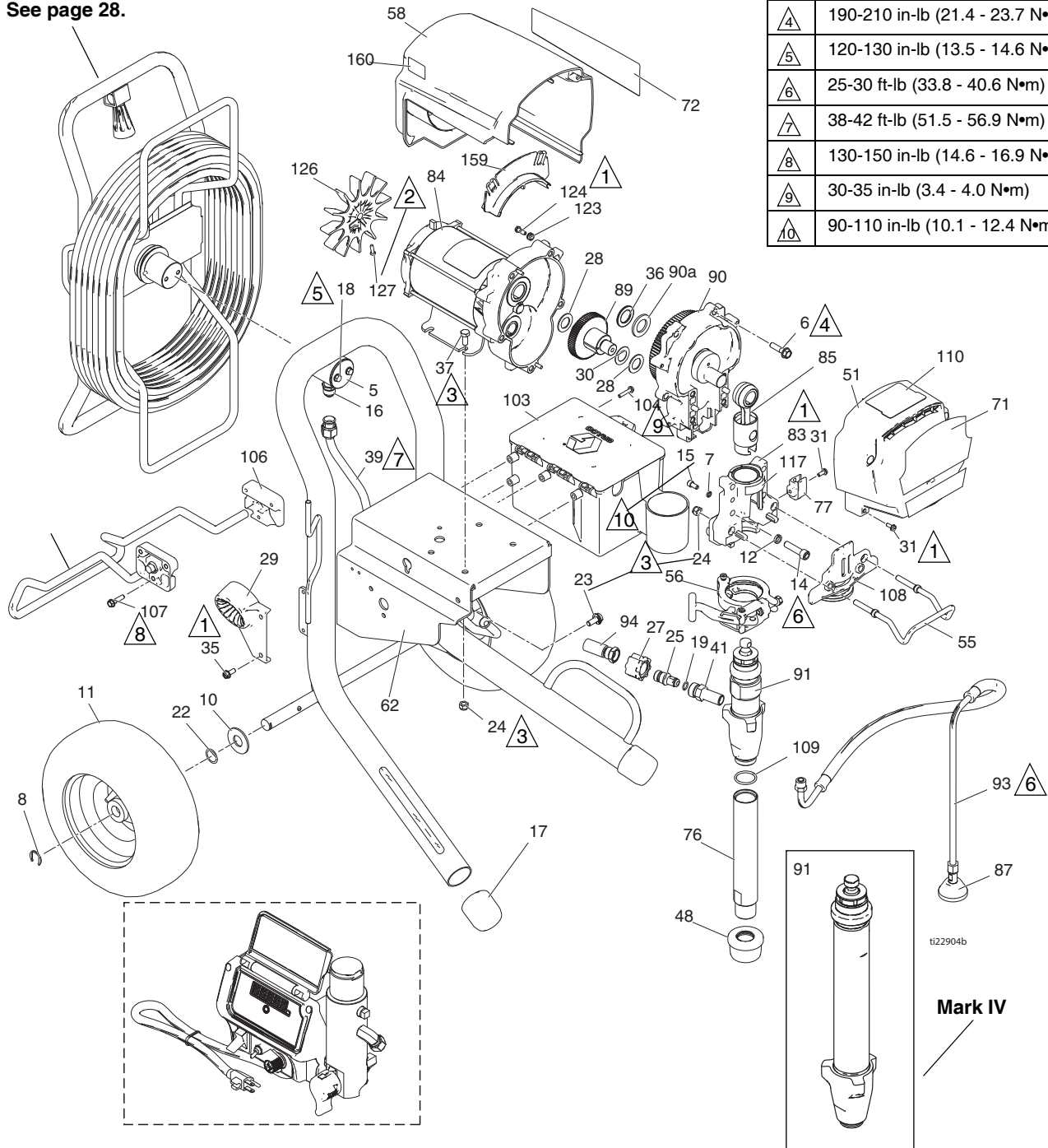
▲ Extra Danger and Warning tags and labels available free.

\* 253131 KIT, repair, tube

# 695/795/MARK IV ProContractor

Ref.	Torque
△1	40-45 in-lb (4.5 - 5.0 N•m)
△2	9-11 in-lb (1.0 - 1.2 N•m)
△3	200-230 in-lb (22.6 - 25.9 N•m)
△4	190-210 in-lb (21.4 - 23.7 N•m)
△5	120-130 in-lb (13.5 - 14.6 N•m)
△6	25-30 ft-lb (33.8 - 40.6 N•m)
△7	38-42 ft-lb (51.5 - 56.9 N•m)
△8	130-150 in-lb (14.6 - 16.9 N•m)
△9	30-35 in-lb (3.4 - 4.0 N•m)
△10	90-110 in-lb (10.1 - 12.4 N•m)

See page 28.



See pages 22 - 27.

## 695/795/MARK IV ProContractor Parts List

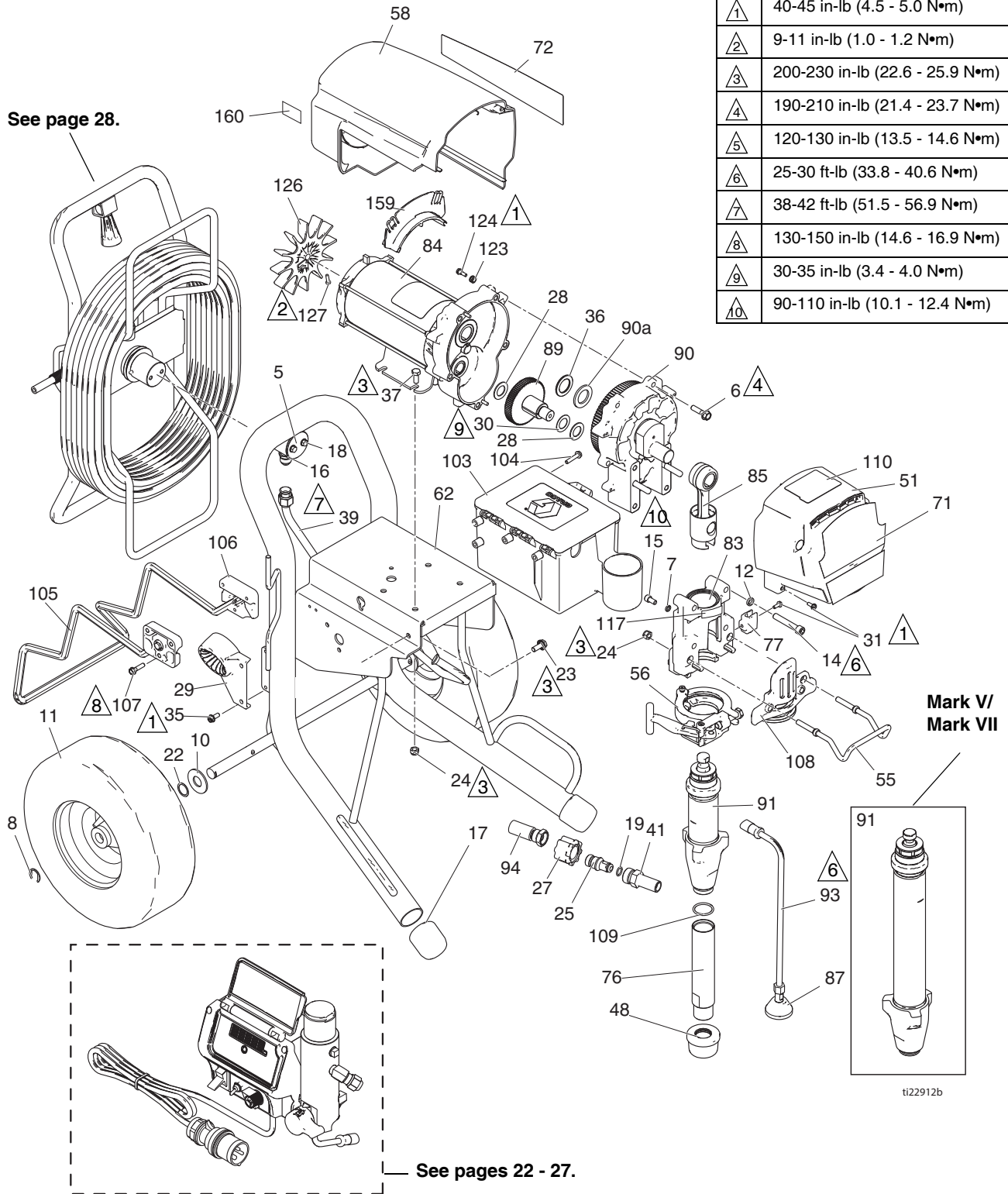
Ref.	Part	Description	Qty.	Ref.	Part	Description	Qty.
5	16C975	PLATE, pivot	1	83	24V087	HOUSING, bearing; <i>includes 7, 12, 14, 15, 24, 31, 55, 56, 77, 108, 117</i>	1
6	15C753	SCREW, mach, hex wash hd	5	84		MOTOR, electric	1
7	105510	WASHER, lock, spring	2		257185	695/Mark IV	
8	15E891	CLIP, retaining	2		257186	795	
10	156306	WASHER, flat	2	85	24V084	ROD, connecting	1
11	119420	WHEEL, pneumatic	2	87	241920	DEFLECTOR, threaded	1
12	106115	WASHER, lock (hi-collar)	4	89	287289	GEAR, combination;	1
14	110141	SCREW, cap, sch	4			<i>includes 28, 30</i>	
15	101550	SCREW, cap, sch	2	90		HOUSING, drive, M1;	1
16	121311	FITTING, connector	1			<i>includes 6, 36, 90a</i>	
17	276974	CAP, leg	2		24V032	695/Mark IV	
18	260212	SCREW, hex washer hd	2		24V033	795	
19		PACKING, o-ring	1	90a	107089	WASHER, race, thrust	1
	107505	695/795		91	16X414	PUMP, displacement, 695/795;	1
	102982	Mark IV				<i>includes 41, 109</i>	
22	116038	WASHER, wave spring	2		16X418	PUMP, displacement, Mark IV	
23	117791	SCREW, cap tri lobe	2	93	244240	HOSE, drain, ultra hi-boy;	1
24	111040	NUT, lock, nylon, thin pattern	6			<i>includes 87</i>	
25	16X833	FITTING, QD, 695/795	1	94		HOSE, coupled	1
27	120583	NUT, hand, 695/795	1		16X904	695/795	
28	114672	WASHER, thrust	2		24V029	Mark IV; <i>includes 19</i>	
29	278083	GUIDE, hose, platinum	1	103	287253	TOOL BOX; <i>includes 104</i>	1
30	114699	WASHER, thrust	1	104	118852	SCREW, thd forming, hex	3
31	118444	SCREW, mach, slot hex wash hd	5			washer hd	
35	117633	SCREW, slot hex wash hd	2	105	16X697	HANGER, stand	1
36	116191	WASHER, thrust, 1095/795	1	106	15C982	CAM, cart	2
37	100057	SCREW, cap, hex hd	4	107	114531	SCREW, mach, hex washer hd	4
39	24V095	TUBE, formed, ultra, platinum	1	108	16X228	SHIELD, pump rod	1
41		FITTING	1	109	118494	PACKING, o-ring	1
	16Y579	695/795		110	16X981	LABEL, ProContractor Series	1
	16X834	Mark IV		117	187437	LABEL, torque	1
48	189920	STRAINER, (1-11 1/2 npsm)	1	123	276980	GROMMET, cover	2
51	24V023	COVER, drive, plastic, painted;	1	124	119250	SCREW, shoulder	2
		<i>includes 31</i>		126	15D088	FAN, motor	1
55	16C457	HANGER, pail	1	127	115477	SCREW, mach, torx pan hd	1
56	16X322	CLAMP, pump	1	128▲	222385	TAG, warning (not shown)	1
58		SHIELD, motor, painted;	1	159	278075	BRACKET, wire	1
		<i>includes 123, 124</i>		160	15Y118	LABEL, Made in the USA	1
	287281	695/Mark IV					
	287282	795					
62	24Y427	FRAME, platinum, 695/795	1				
71		LABEL, brand, front	1				
	16X364	695					
	16X367	795					
	16X357	Mark IV					
72		LABEL, brand, side	1				
	16X365	695					
	16X366	795					
	16X354	Mark IV					
76	248214	TUBE, intake; <i>includes 109</i>	1				
77	16X203	CLIP, drain line	1				

▲ Extra Danger and Warning tags and labels available free.



# 1095/MARK V/Mark VII ProContractor

Ref.	Torque
①	40-45 in-lb (4.5 - 5.0 N•m)
②	9-11 in-lb (1.0 - 1.2 N•m)
③	200-230 in-lb (22.6 - 25.9 N•m)
④	190-210 in-lb (21.4 - 23.7 N•m)
⑤	120-130 in-lb (13.5 - 14.6 N•m)
⑥	25-30 ft-lb (33.8 - 40.6 N•m)
⑦	38-42 ft-lb (51.5 - 56.9 N•m)
⑧	130-150 in-lb (14.6 - 16.9 N•m)
⑨	30-35 in-lb (3.4 - 4.0 N•m)
⑩	90-110 in-lb (10.1 - 12.4 N•m)





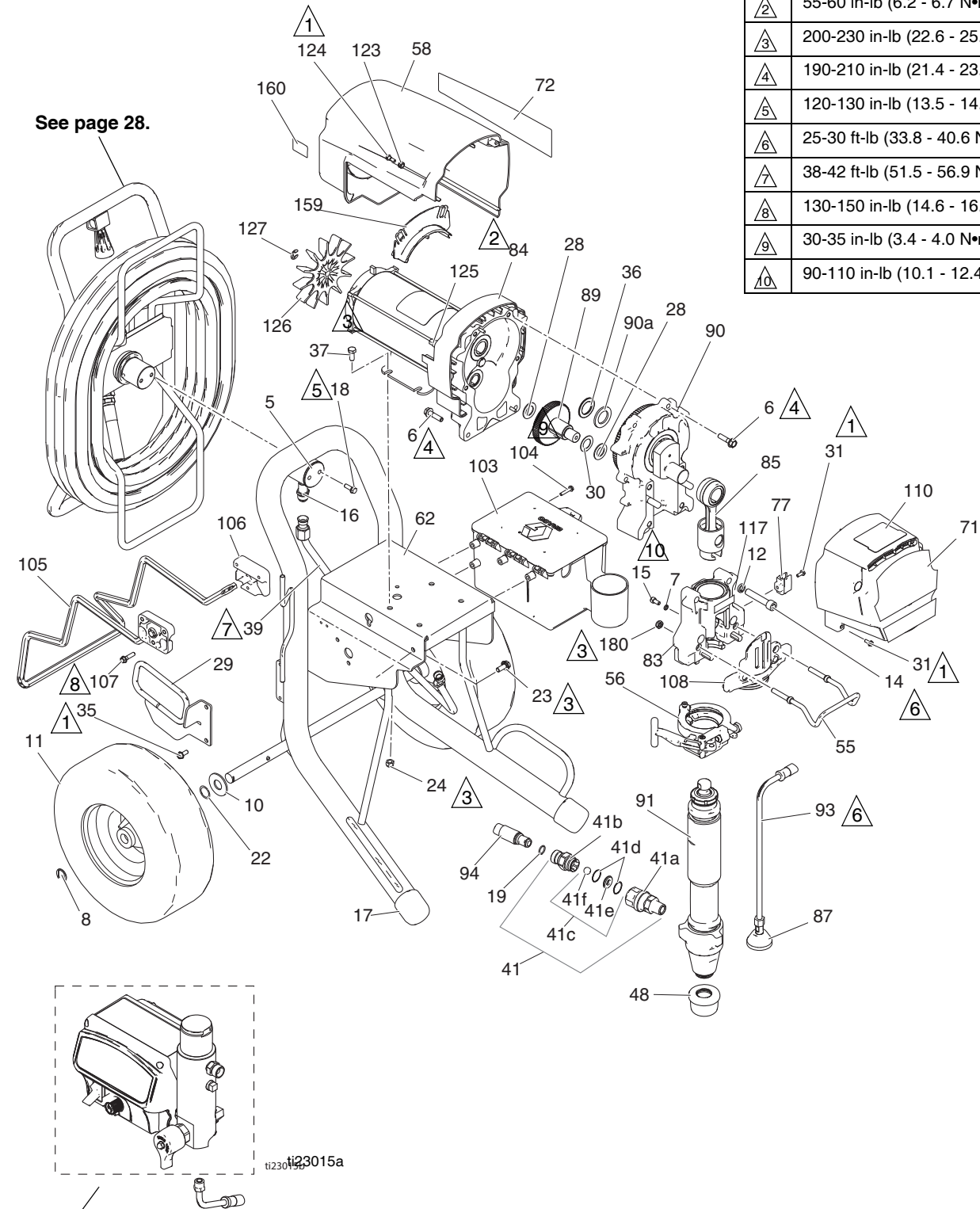
## 1095/MARK V/Mark VII ProContractor Parts List

Ref.	Part	Description	Qty.	Ref.	Part	Description	Qty.
5	16C975	PLATE, pivot	1	77	16X203	CLIP, drain line	1
6	15C753	SCREW, mach, hex wash hd	5	83	24V088	HOUSING, bearing; <i>includes 7, 12, 14, 15, 24, 31, 55, 56, 77, 108, 117</i>	1
7	105510	WASHER, lock	2	84		MOTOR, electric; <i>includes 126, 127</i>	1
8	15E891	CLIP, retaining	2		257187	1095/Mark V	
10	156306	WASHER, flat	2		257188	Mark VII/UK Mark V	
11	119509	WHEEL, pneumatic	2	85	24V085	ROD, connecting	1
12	106115	WASHER, lock (hi-collar)	4	87	241920	DEFLECTOR, threaded	1
14	114666	SCREW, cap, socket head	4	89	287290	GEAR, combination; <i>includes 28, 30</i>	1
15	101550	SCREW, cap, sch	2	90		HOUSING, drive, M1; <i>includes 6, 36, 90a</i>	1
16	121311	FITTING, connector	1		24M417	Mark VII	
17	276974	CAP, leg	2		287295	1095/Mark V	
18	260212	SCREW, hex washer hd	2		287294	Mark V, Japanese Model	
19		PACKING, o-ring	1	90a	194173	WASHER, race, thrust	1
	107505	1095		91		PUMP, displacement; <i>includes 41, 76, 109</i>	1
	102982	Mark V/Mark VII			16X419	1095 Models	
22	116038	WASHER, wave spring	2		16Y602	Mark VII Models	
23	117791	SCREW, cap tri lobe	2		16X421	Mark V Models	
24	111040	NUT, lock, insert	6	93	244240	HOSE, drain; <i>includes 87</i>	1
25	16X833	FITTING, quick disconnect, (1095 only)	1	94		HOSE, coupled	1
27	120583	NUT, hand (1095 only)	1		16X904	1095	
28	114672	WASHER, thrust	2		24V029	Mark V/Mark VII; <i>includes 19</i>	
29		BRACKET, hose, wrap	1	103	287253	TOOL BOX; <i>includes 104</i>	1
	278083	1095/Mark V		104	118852	SCREW, thd forming, hex washer hd	3
	24M197	Mark VII		105	16X698	HANGER, stand, cart	1
30	114699	WASHER, thrust	1	106	15C982	CAM, cart	2
31	118444	SCREW, mach, slot hex wash hd	5	107	114531	SCREW, mach, hex washer hd	4
35	117633	SCREW, slot hex wash hd	2	108	16X385	PLATE, front, 5900 PCII	
36	116192	WASHER, thrust, 1595	1	109	118494	PACKING, o-ring	1
37	100057	SCREW, cap, hex hd	4	110	16X981	LABEL, premium	1
39	24J081	TUBE, formed, ultra, platinum	1	117	187437	LABEL, torque	1
41		FITTING, pump, QD	1	123	276980	GROMMET, cover	2
	16Y579	1095		124	119250	SCREW, shoulder	3
	16X834	Mark V/Mark VII		126	15D088	FAN, motor	1
48	189920	STRAINER, (1-11 1/2 npsm)	1	127	115477	SCREW, mach, torx pan hd	1
51	24V024	COVER, drive, plastic, painted; <i>includes 31</i>	1	128▲	222385	TAG, warning (not shown)	
55	16C457	HANGER, pail	1	159	278075	BRACKET, wire	1
56	16X324	CLAMP, pump, large	1	160	15Y118	LABEL, Made in the USA	1
58	287282	SHIELD, motor, painted; <i>includes 123, 124</i>	1				
62	24Y426	FRAME, platinum, 1095/MARK V	1				
71		LABEL, brand, front	1				
	16X368	1095					
	16X360	Mark V					
	16Y960	Mark VII					
72		LABEL, brand, side	1				
	16X369	1095					
	16X361	Mark V					
	16Y961	Mark VII					
76	248215	TUBE, intake; <i>includes 109</i>	1				

▲ Extra Danger and Warning tags and labels available free.

# Mark X ProContractor

Ref.	Torque
1	40-45 in-lb (4.5 - 5.0 N•m)
2	55-60 in-lb (6.2 - 6.7 N•m)
3	200-230 in-lb (22.6 - 25.9 N•m)
4	190-210 in-lb (21.4 - 23.7 N•m)
5	120-130 in-lb (13.5 - 14.6 N•m)
6	25-30 ft-lb (33.8 - 40.6 N•m)
7	38-42 ft-lb (51.5 - 56.9 N•m)
8	130-150 in-lb (14.6 - 16.9 N•m)
9	30-35 in-lb (3.4 - 4.0 N•m)
10	90-110 in-lb (10.1 - 12.4 N•m)

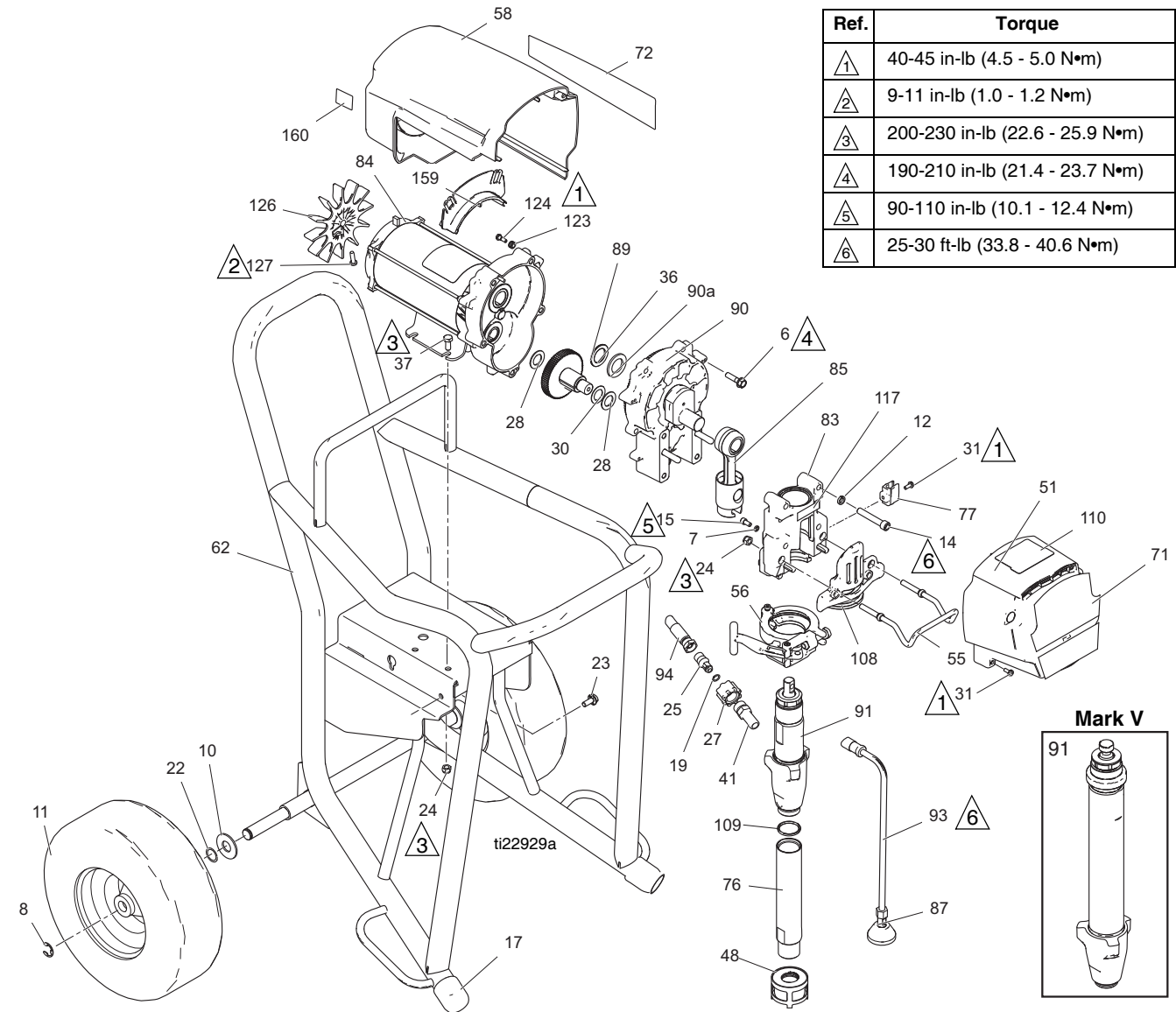


# Mark X ProContractor

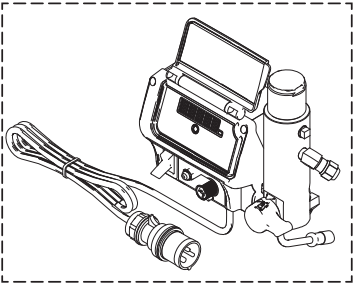
Ref.	Part	Description	Qty.	Ref.	Part	Description	Qty.
5	16C975	PLATE, pivot	1	71	16X362	LABEL, front	1
6	15C753	SCREW, mach, hex wash hd	6	72	16X363	LABEL, right side	1
7	105510	WASHER, lock, spring	2	77	16X203	CLIP, drain line	1
8	15E891	CLIP, retaining	2	83	24V089	HOUSING, bearing; <i>includes 7, 12, 14, 15, 31, 55, 56, 77, 108, 117, 180</i>	1
10	156306	WASHER, flat	2				
11	119509	WHEEL, pneumatic	2				
12	112600	WASHER, lock (hi-collar)	4	84	258909	MOTOR, electric; <i>includes 125, 126, 127</i>	1
14	112599	SCREW, cap, socket head	4				
15	101550	SCREW, cap, sch	2	85	24V086	ROD, connecting	1
16	121311	FITTING, connector	1	87	241920	DEFLECTOR, threaded	1
17	276974	CAP, leg	2	89	288035	GEAR, combination; <i>includes 28, 30</i>	1
18	260212	SCREW, hex washer, hd	2				
19	102982	O-RING	1	90	287990	HOUSING, drive; <i>includes 6, 36, 90a</i>	1
22	116038	WASHER, wave spring	2				
23	117791	SCREW, cap, tri lobe	2	90a	194173	WASHER, race, thrust	1
24	111040	NUT, lock, insert	4	91	16X427	PUMP, displacement	1
28	114672	WASHER, thrust	2	93	244240	HOSE, drain; <i>includes 87</i>	1
29	24M197	GUIDE, hose, ultra platinum	1	94	24V029	KIT, hose, cpld, 1/2 in.; <i>includes 19</i>	1
30	114699	WASHER, thrust	1	103	287253	TOOL BOX; <i>includes 104</i>	1
31	118444	SCREW, mach, slot hex wash hd	5	104	118852	SCREW, thd forming, hex washer hd	3
35	117633	SCREW, slot hex wash hd	2	105	16X698	HANGER, stand, cart	1
36	116192	WASHER, thrust, 1595	1	106	15C982	CAM, cart	2
37	100057	SCREW, cap, hex hd	4	107	114531	SCREW, mach, hex washer hd	4
39	16M441	TUBE, formed, ultra, platinum	1	108	16X209	PLATE, front, PCII, 79W	1
41	24U755	FITTING	1	110	16X981	LABEL, ProContractor Series	1
41a	16N461	HOUSING, seat, check valve	1	117	187437	LABEL, torque	1
41b	16X837	HOUSING, ball, check valve	1	123	276980	GROMMET, cover	2
41c	24M725	KIT, repair, check valve; <i>includes 41d, 41e, 41f</i>	1	124	119250	SCREW, shoulder	3
41d		O-RING	1	125	15G845	SPACER, standoff	2
41e		SEAT	1	126	15V577	FAN, motor	1
41f		BALL	1	127	122347	RING, retaining	1
48	189920	STRAINER, (1-11 1/2 npsm)	1	128▲	222385	TAG, warning (not shown)	
51	24V025	COVER, drive, plastic, painted; <i>includes 31</i>	1	159	278075	BRACKET, wire	1
55	16C457	PACKING, o-ring	1	160	15Y118	LABEL, Made in the USA	1
56	16X324	CLAMP, pump, large	1	180	112746	NUT, lock, thin pattern	2
58	287282	SHIELD, motor, painted; <i>includes 123, 124</i>	1				
62	24Y426	FRAME, platinum, 1095/MARK V	1				

▲ Extra Danger and Warning tags and labels available free.

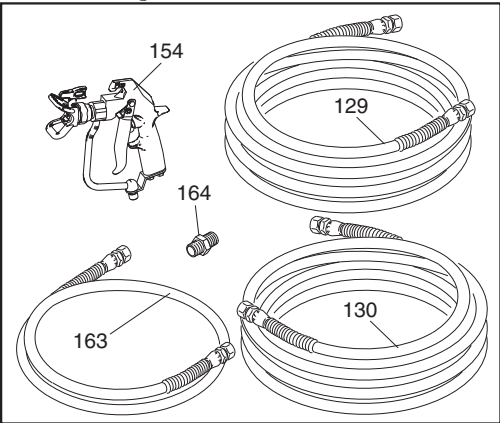
# 1095/Mark V IronMan



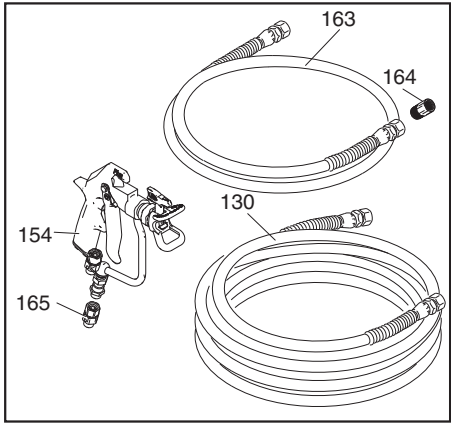
Ref.	Torque
1	40-45 in-lb (4.5 - 5.0 N•m)
2	9-11 in-lb (1.0 - 1.2 N•m)
3	200-230 in-lb (22.6 - 25.9 N•m)
4	190-210 in-lb (21.4 - 23.7 N•m)
5	90-110 in-lb (10.1 - 12.4 N•m)
6	25-30 ft-lb (33.8 - 40.6 N•m)



See pages 22 - 27.



1095



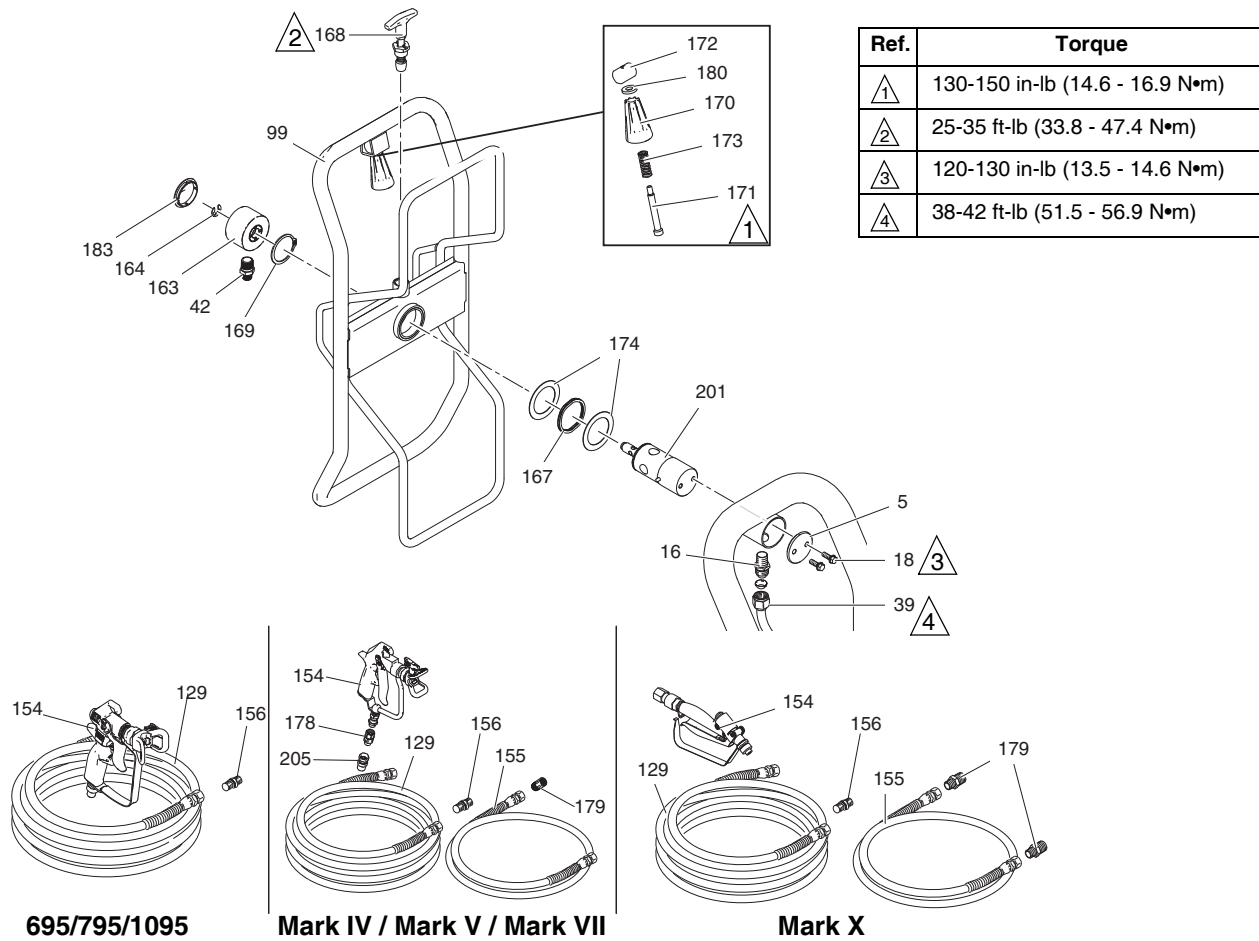
Mark V

## 1095/Mark V IronMan

Ref.	Part	Description	Qty.	Ref.	Part	Description	Qty.
6	15C753	SCREW, mach, torx, hex	5	89	287290	GEAR, combination; <i>includes 28, 30</i>	1
7	105510	WASHER, lock, spring	2	90	287295	HOUSING, drive, M1; <i>includes 6, 36, 90a</i>	1
8	120211	CLIP, retaining	2	90a	194173	WASHER, race, thrust	1
10	156306	WASHER, flat	2	91		PUMP, displacement	1
11	122267	WHEEL, foam	2		16X420	1095; <i>includes 41, 109</i>	
12	106115	WASH, lock, spring	4		16Y599	Mark V	
14	114666	SCREW, cap, socket hd	4	93	244240	HOSE, drain; <i>includes 87</i>	1
15	101550	SCREW, cap, sch	2	94		HOSE, coupled	1
17	15C871	CAP, leg	2		16X904	1095	
19		PACKING, o-ring	1		24V029	Mark V; <i>includes 19</i>	
	107505	1095		108	16X385	PLATE, front, 5900, PCII	
	102982	Mark V		109	118494	PACKING, o-ring	1
22	116038	WASHER, wave spring	2	110	16X982	LABEL, IronMan series	1
23	117791	SCREW, cap, flng hd	2	117	187437	LABEL, torque	1
24	111040	NUT, lock, insert	6	123	276980	GROMMET, cover	2
25	16X833	FITTING, QD, 3/8 npsm, 1095	1	124	119250	SCREW, shoulder, hex, washer	3
27	120583	NUT, hand, 1095	6	126	15D088	FAN, motor	1
28	114672	WASHER, thrust	2	127	115477	SCREW, mach, torx, pan, hd	1
30	114699	WASHER, thrust	1	128▲	222385	TAG, WARNING (not shown)	1
31	118444	SCREW, machine, hex washer hd	5	129	240794	HOSE, cpld, 1/4 in. x 50 ft, 1095	1
36	116192	WASHER, thrust	1	130		HOSE, cpld, 3/8 in. x 50 ft	
37	100057	SCREW, cap, hex hd	4		240797	1095	1
41		FITTING, pump, QD	1		240797	Mark V	2
	16Y579	1095		154		GUN	1
	16X834	Mark V			246240	1095	
48	15V573	STRAINER, (1-11 1/2 NPSM)	1		241705	Mark V	
51	24V024	COVER, drive, plastic, painted; <i>includes 31</i>	1	159	278075	BRACKET, wire	
55	16C457	HANGER, pail	1	160	15Y118	LABEL, Made in USA	1
56	16X324	CLAMP, pump, large	1	163		HOSE, whip	1
58	287282	SHIELD, motor, painted; <i>includes 123, 124</i>	1		277322	1095	
62	16X711	FRAME, cart, 1095	1		241735	Mark V	
71		LABEL, UltraMax	1	164		FITTING	1
	16X368	1095			164672	1095	
	16X360	Mark V			159841	Mark V	
72		LABEL, UltraMax II	1	165	189018	SWIVEL, assembly	1
	16X369	1095					
	16X361	Mark V					
76	248215	TUBE, intake; <i>includes 109</i>	1				
77	16X203	CLIP, drain line	1				
83	24V088	HOUSING, bearing; <i>includes 7, 12, 14, 15, 24, 31, 55, 56, 77, 108, 117</i>	1				
84	257187	MOTOR, electric; <i>includes 126, 127</i>	1				
85	24V085	ROD, connecting	1				
87	241920	DEFLECTOR, threaded	1				

▲ Extra Danger and Warning tags and labels available free.

# Hose Reel and Gun

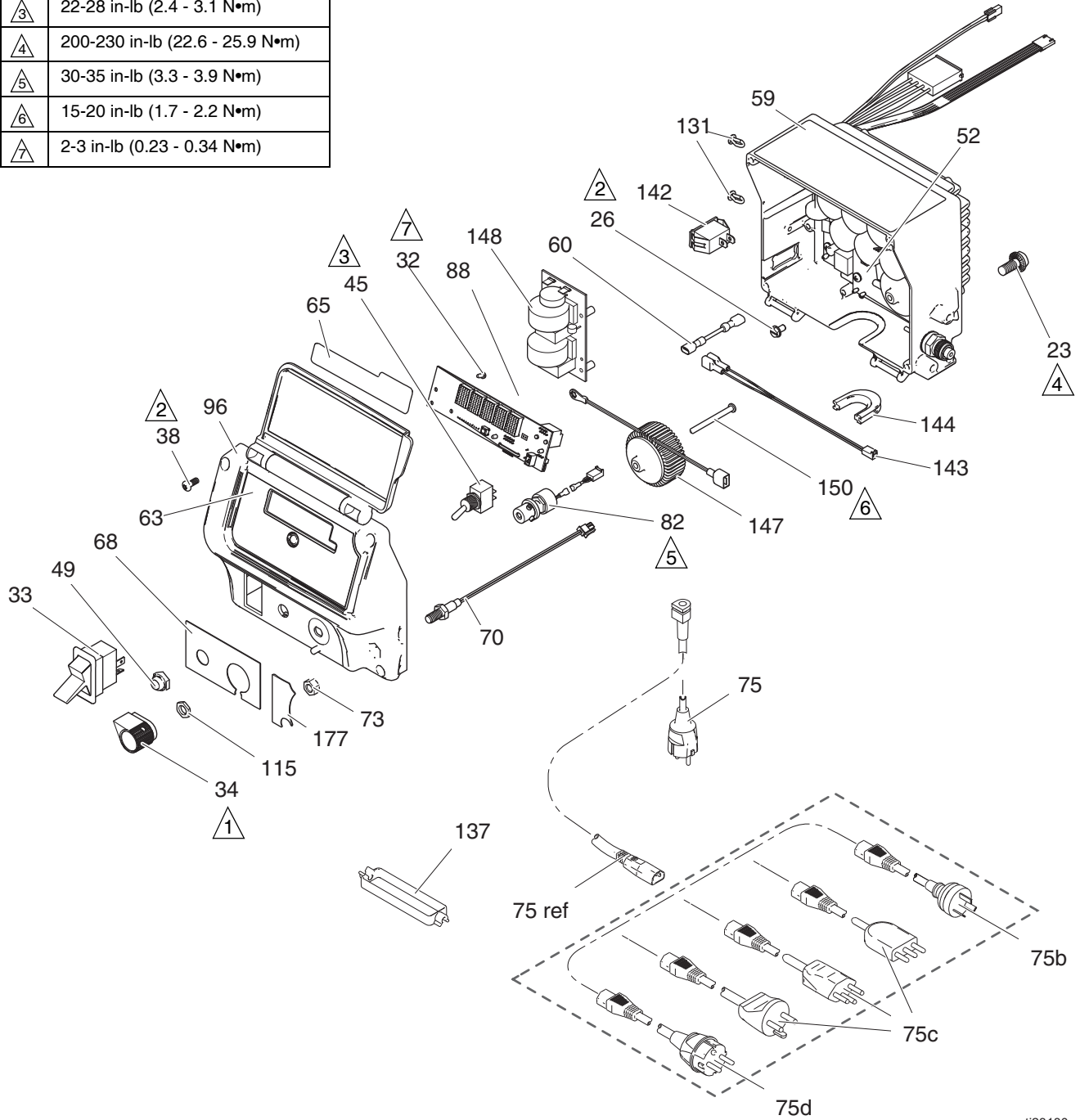


## Parts List

Ref.	Part	Description	Qty.	Ref.	Part	Description	Qty.
5	16C975	PLATE, Pivot Mount	1	191239	Mark VII/Mark X		
16	121311	FITTING, Connector, NPT x JIC	1	156	ADAPTER		1
18	260212	SCREW, Hex Washer HD	2	162453	695/795/1095		
39	24V095	TUBE, Formed, Ultra, Platinum	1	196178	Mark IV/Mark V		
	24J081	695/795 Models		158491	Mark VII/Mark X		
	16M441	1095/Mark V Models		163	24B248	CAP, swivel, complete	1
42	16M441	Mark X		164	122347	RING, retaining, external	1
	ADAPTER		1	167	122534	SPRING, wave	1
	164672	695/795/1095		168	24E400	PIN, pop, lock out	1
	196178	Mark IV/Mark V		169	122524	RING, retaining, external	1
	159239	Mark VII/Mark X		170	278085	HANDLE, swivel	1
99	24B691	REEL, hose, ultra	1	171	122518	PIN	1
129	129	HOSE, coupled		172	15X618	NUT, pin	1
	240794	695/795/1095		173	122542	SPRING	1
	245225	Mark IV/Mark V	2	174	122607	WASHER, flat	2
	278499	Mark VII/Mark X	2	178	189018	SWIVEL	1
154	154	GUN, spray		179	BUSHING		
	288420	695/795/1095	1	159841	Mark IV/Mark V/Mark VII		1
	241705	Mark V/Mark VII Models	1	159239	Mark X		2
	246468	Mark IV Models	1	180	122669	WASHER	1
	245820	Mark X	1	183	122787	CAP	1
155	155	HOSE, whip	1	201	24E016	TUBE, Hose Reel, Pivot	1
	241735	Mark IV, Mark V		205	110476	ADAPTER, Mark VII	1

# Control Box

Ref.	Torque
△1	10-15 in-lb (1.1 - 1.7 N•m)
△2	40-45 in-lb (4.5 - 5.0 N•m)
△3	22-28 in-lb (2.4 - 3.1 N•m)
△4	200-230 in-lb (22.6 - 25.9 N•m)
△5	30-35 in-lb (3.3 - 3.9 N•m)
△6	15-20 in-lb (1.7 - 2.2 N•m)
△7	2-3 in-lb (0.23 - 0.34 N•m)



ti23180a

## Parts List

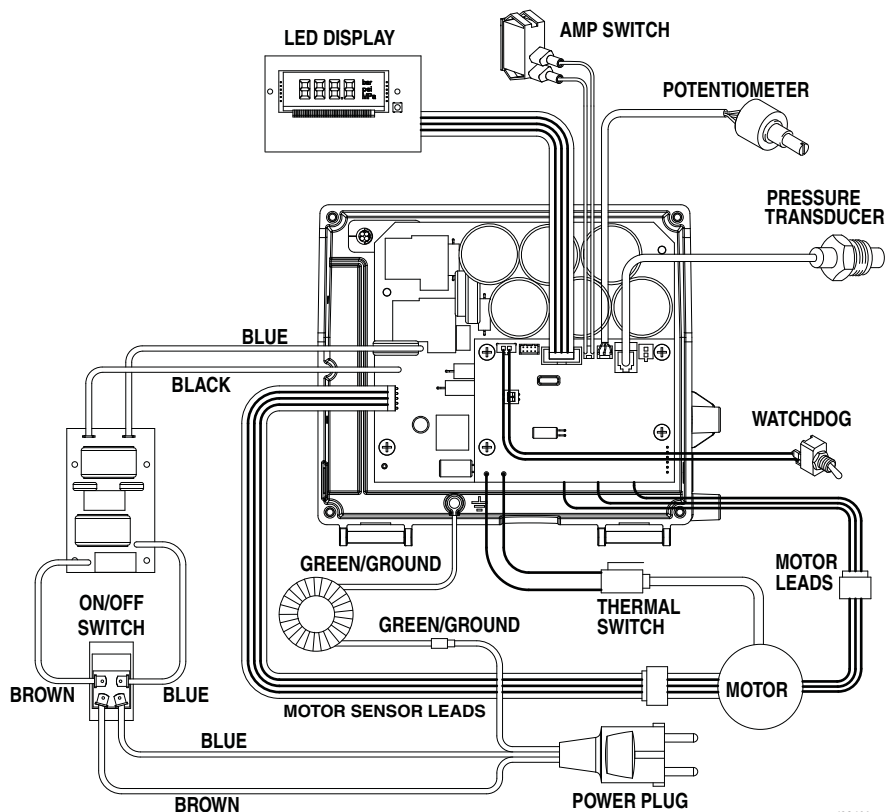
Ref.	Part	Description	Qty.	Ref.	Part	Description	Qty.
23	117791	SCREW, cap, flange head	2	75b		China/Australia	1
26	114391	SCREW, grounding	1	242005		695/795/1095/Mark IV/Mark V	
32	115522	SCREW, mach, pnh (ProContractor/IronMan series)	3	17A242		Mark X	
33	15C979	SWITCH, rocker, 120V	1	75c		Italy/Denmark/Switzerland	1
	15D527	SWITCH, rocker, 230V	1	287121		695/795/1095/Mark IV/Mark V	
34	116167	KNOB, potentiometer	1	253103		Mark VII/Mark X Models	
38	16V095	SCREW, #10, taptite phil	4	75d	242001	EU CEE 7/7	1
45	119541	SWITCH, toggle, (ProContractor/IronMan series)	1	75e	244285	Japan	1
49	195428	BOOT, toggle (ProContractor/IronMan series)	1	82	256219	POTENTIOMETR, assembly	1
52		CONTROL, board; <i>includes 23, 26, 60,</i> <i>131, 142, 144, box not sold separately</i>	1	88	16Y496	DISPLAY	1
	24P847	120V Models		96		COVER, control	1
	24P848	240V Models		24V061		ProContractor/IronMan series; <i>includes 32, 38, 63, 65, 68</i>	
59▲		LABEL, warning	1	24V062		Standard series; <i>includes 38, 63, 68</i>	
	16G596	Europe		115	15C973	GASKET	1
	16Y762	Asia/ANZ		131		SCREW/PLUG	2
	16Y761	Japan		119228		Eurpoe/Asia/Australia	
60	16T541	JUMPER WIRE (Japanese models)	1	16T482		Japan	
63	16X796	LABEL, LCD, GMAX (ProContractor/IronMan series)	1	137	195551	RETAINER, plug adapter 695/795/1095/Mark IV/Mark V	
	16Y785	LABEL, control box cover, ultra (Standard series)	1	121249	121249	Mark VII/Mark X Models	
65	16X797	LABEL, control box cover, ultra (ProContractor/IronMan series)	1	142		SWITCH/PLUG	1
68	16Y789	LABEL, control (ProContractor/IronMan series)	1	16T483		695/795/1095/Mark IV/Mark V	
	16Y786	LABEL, control (Standard series)	1	126029		Mark VII/Mark X Models (10/16 amp)	
70	122507	SWITCH, reed (ProContractor/IronMan series)	1	120059		UK Mark V (15/20 amp)	
	16Z019	LIGHT, ProGuard (Standard series)	1	143	15G935	CONNECTOR, electrical	1
73	100187	NUT	1	144		STRAIN RELIEF	1
75		CORD, power	1	16T546		695/795/1095/Mark IV/Mark V	
	17J160	695/795/1095, Japanese Models		16T547		695/795/1095 Japanese Models	
	15H065	Mark V, Japanese Models		16T544		Mark VII/Mark X Models	
	15D528	EU CEE 7/7		116171		Mark V, Japanese Models	
	15D529	EU Multicord		145	117745	BUSHING, strain relief (Mark VII/Mark X Models)	1
	15D530	UK		147	24V030	KIT, repair, coil; <i>includes 150</i>	1
	16M834	Mark VII EU CEE 7/7		148		BOARD, filter	1
	16M836	Mark VII Multicord		24R598		230V Models	
	15G957	Mark X EU CEE 7/7		24R597		120V Models	
	15G938	Mark X Multicord		24U823		Mark X	
				149	117625	NUT, locking	1
				150	16U215	SCREW, machine, flat head	1
				177	16Y791	LABEL, blank, elec, std (Standard)	1
					16Y790	ProContractor/IronMan	1
					16Y788	Mark X ProContractor	1

▲ Extra Danger and Warning tags and labels available free.



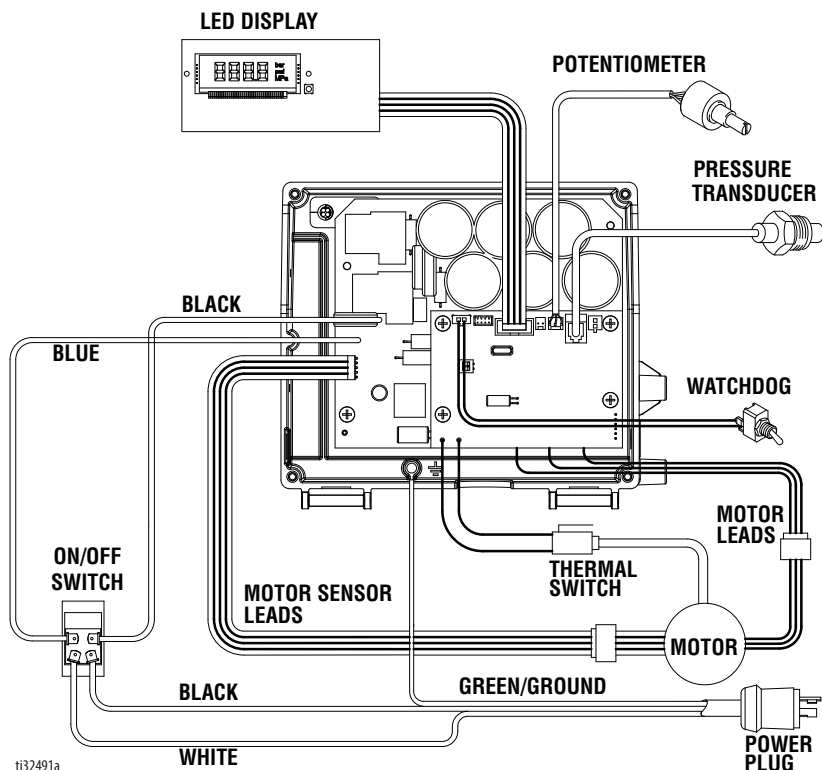
# Wiring Diagram

## MARK X 230V



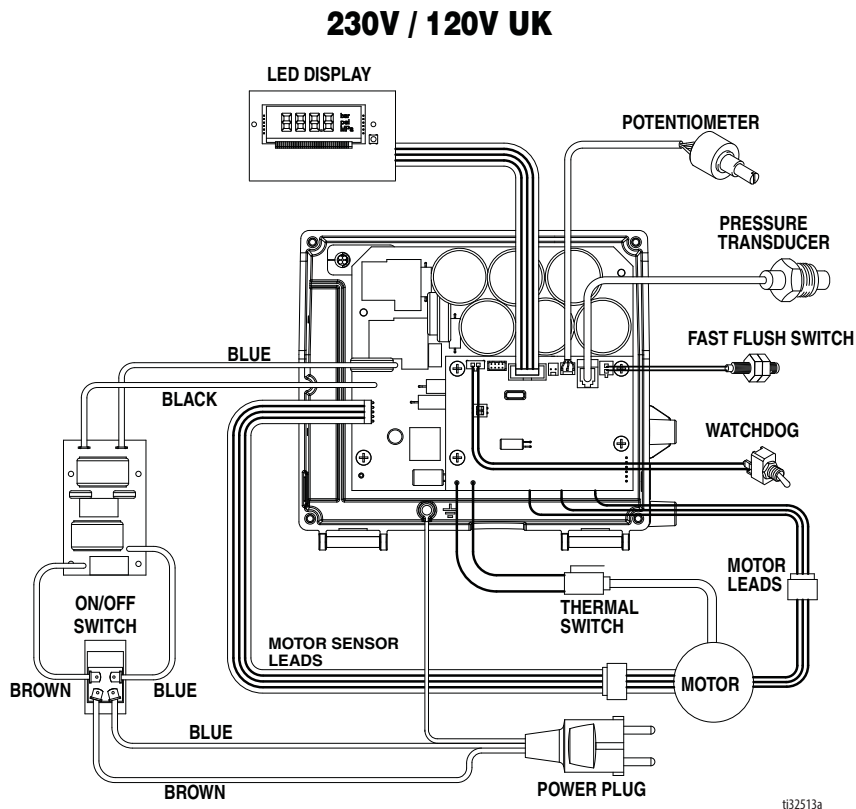
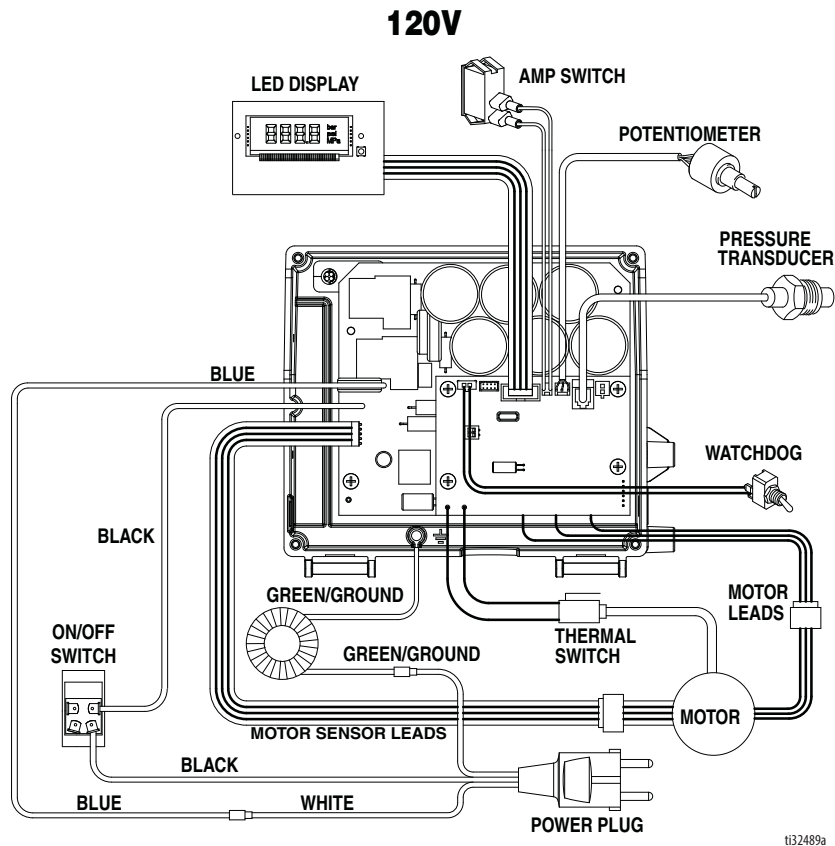
ti32490a

## MARK X 120V

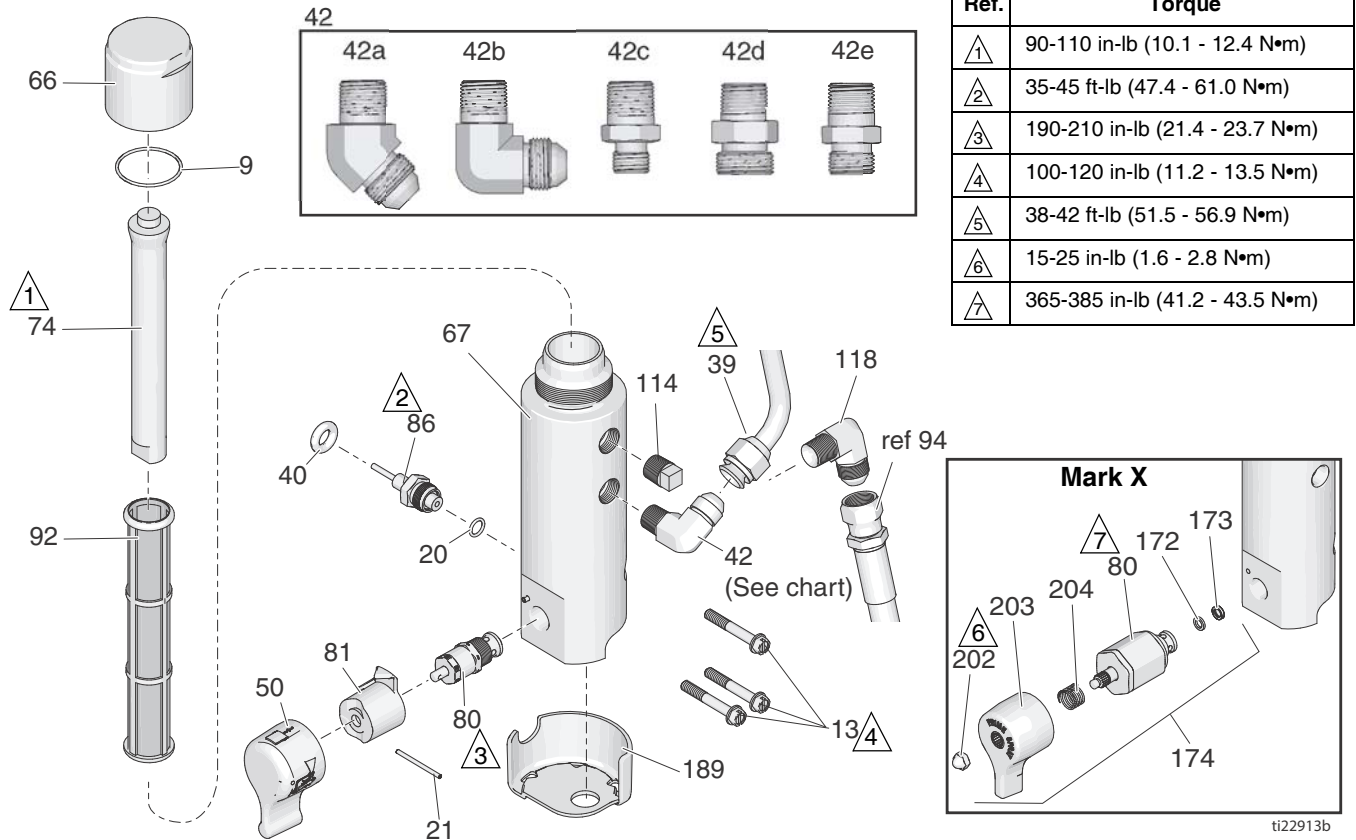


ti32491a

# Wiring Diagram



# Filter



## Parts List

Ref.	Part	Description	Qty.	Ref.	Part	Description	Qty.
9	117285	PACKING, o-ring	1	74	15C766	TUBE, diffusion	1
13	16U013	SCREW, cap, socket head	3	80	24B156	VALVE, prime, HD	1
20	111457	PACKING, o-ring	1		287879	VALVE, prime, Mark X	1
21	15C972	PIN, grooved	1	81		BASE, valve	1
39		TUBE, formed, ultra platinum	1		24A382	Standard series	
	24V095	695/795 Models			24D286	ProContractor/IronMan	
	24J081	1095/Mark V Models		86	243222	TRANSDUCER, pressure control;	1
	16M441	Mark X				<i>includes 20</i>	
40	121889	GROMMET, transducer	1	92		FILTER, fluid	1
42		FITTING	1		244071	30 mesh	
42a	122533	1095/Mark V/Mark VII (ProContractor series)			244067	60 mesh, original equipment	
42b	125926	695/795/Mark IV/Mark X (ProContractor series)			244068	100 mesh	
42c	164672	695/795/1095 (Standard series)		114	104813	PLUG, pipe, 3/8	1
42d	196178	Mark IV/Mark V/Mark VII (Standard series)		118	125926	FITTING, elbow	1
		1095/Mark V (IronMan series)		172	193709	SEAT, valve	1
		Mark X (Standard series)		173	193710	SEAL, seat, valve	1
50	183285	KIT, handle; <i>includes 21, 81</i>	1	174	245103	KIT, repair, valve, Mark X; <i>includes 80, 172, 173, 202, 203, 204</i>	1
	24E233	ProContractor/IronMan Series		189	17A197	GUARD, base, filter (ProContractor/IronMan Series)	1
	24E234	Standard Series		202	116424	NUT, Mark X	1
66	15C765	CAP, filter	1	203	15G563	HANDLE, valve, Mark X	1
67	16T543	BASE, filter	1	204	114708	SPRING, compression, Mark X	1

# Graco Standard Warranty

Graco warrants all equipment referenced in this document which is manufactured by Graco and bearing its name to be free from defects in material and workmanship on the date of sale to the original purchaser for use. With the exception of any special, extended, or limited warranty published by Graco, Graco will, for a period of twelve months from the date of sale, repair or replace any part of the equipment determined by Graco to be defective. This warranty applies only when the equipment is installed, operated and maintained in accordance with Graco's written recommendations.

This warranty does not cover, and Graco shall not be liable for general wear and tear, or any malfunction, damage or wear caused by faulty installation, misapplication, abrasion, corrosion, inadequate or improper maintenance, negligence, accident, tampering, or substitution of non-Graco component parts. Nor shall Graco be liable for malfunction, damage or wear caused by the incompatibility of Graco equipment with structures, accessories, equipment or materials not supplied by Graco, or the improper design, manufacture, installation, operation or maintenance of structures, accessories, equipment or materials not supplied by Graco.

This warranty is conditioned upon the prepaid return of the equipment claimed to be defective to an authorized Graco distributor for verification of the claimed defect. If the claimed defect is verified, Graco will repair or replace free of charge any defective parts. The equipment will be returned to the original purchaser transportation prepaid. If inspection of the equipment does not disclose any defect in material or workmanship, repairs will be made at a reasonable charge, which charges may include the costs of parts, labor, and transportation.

**THIS WARRANTY IS EXCLUSIVE, AND IS IN LIEU OF ANY OTHER WARRANTIES, EXPRESS OR IMPLIED, INCLUDING BUT NOT LIMITED TO WARRANTY OF MERCHANTABILITY OR WARRANTY OF FITNESS FOR A PARTICULAR PURPOSE.**

Graco's sole obligation and buyer's sole remedy for any breach of warranty shall be as set forth above. The buyer agrees that no other remedy (including, but not limited to, incidental or consequential damages for lost profits, lost sales, injury to person or property, or any other incidental or consequential loss) shall be available. Any action for breach of warranty must be brought within two (2) years of the date of sale.

**GRACO MAKES NO WARRANTY, AND DISCLAIMS ALL IMPLIED WARRANTIES OF MERCHANTABILITY AND FITNESS FOR A PARTICULAR PURPOSE, IN CONNECTION WITH ACCESSORIES, EQUIPMENT, MATERIALS OR COMPONENTS SOLD BUT NOT MANUFACTURED BY GRACO.** These items sold, but not manufactured by Graco (such as electric motors, switches, hose, etc.), are subject to the warranty, if any, of their manufacturer. Graco will provide purchaser with reasonable assistance in making any claim for breach of these warranties.

In no event will Graco be liable for indirect, incidental, special or consequential damages resulting from Graco supplying equipment hereunder, or the furnishing, performance, or use of any products or other goods sold hereto, whether due to a breach of contract, breach of warranty, the negligence of Graco, or otherwise.

## **FOR GRACO CANADA CUSTOMERS**

The Parties acknowledge that they have required that the present document, as well as all documents, notices and legal proceedings entered into, given or instituted pursuant hereto or relating directly or indirectly hereto, be drawn up in English. Les parties reconnaissent avoir convenu que la rédaction du présente document sera en Anglais, ainsi que tous documents, avis et procédures judiciaires exécutés, donnés ou intentés, à la suite de ou en rapport, directement ou indirectement, avec les procédures concernées.

# Graco Information

For the latest information about Graco products, visit [www.graco.com](http://www.graco.com).

For patent information, see [www.graco.com/patents](http://www.graco.com/patents).

**TO PLACE AN ORDER**, contact your Graco distributor or call 1-800-690-2894 to identify the nearest distributor.

*All written and visual data contained in this document reflects the latest product information available at the time of publication. Graco reserves the right to make changes at any time without notice.*

Original instructions. This manual contains English. MM 333281

**Graco Headquarters:** Minneapolis

**International Offices:** Belgium, China, Japan, Korea

**GRACO INC. AND SUBSIDIARIES • P.O. BOX 1441 • MINNEAPOLIS MN 55440-1441 • USA**

**Copyright 2014, Graco Inc. All Graco manufacturing locations are registered to ISO 9001.**

[www.graco.com](http://www.graco.com)

Revision E, November 2017