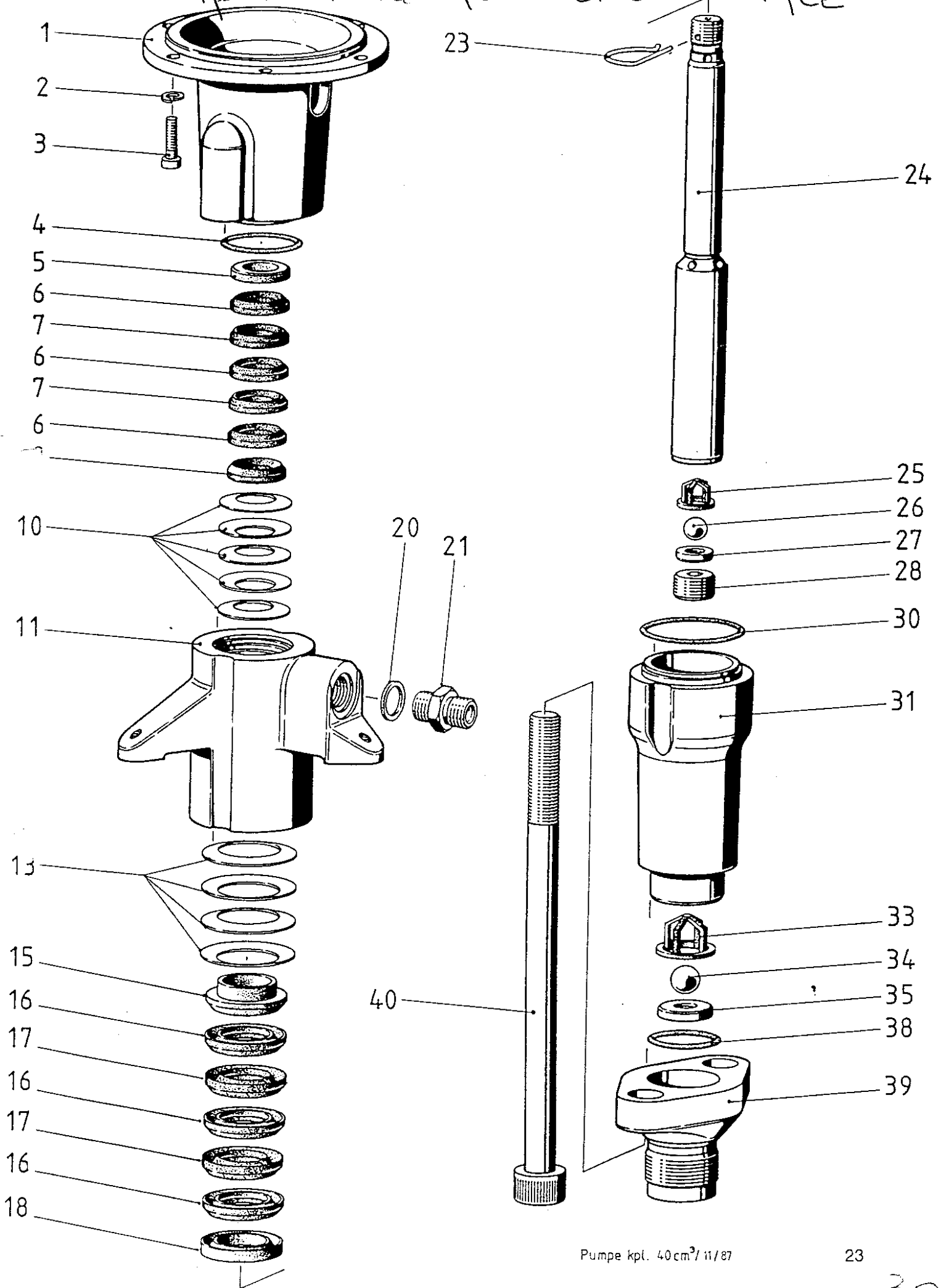


Pump Sect 28-40 OLDER STYLE



Pumpe kpl. 40cm³/11/87

Spare parts list material feed pump 28-40

Pos.	Part.-No.	Description
1	0123 323	Housing
2	9921 502	Spring washer A 6 DIN 127 (6)
3	9900 312	Cylindrical screw M 6 x 20 DIN 912 (6)
4	9971 040	O-Ring 36 x 2
	0115 368	Upper packing combined complete, leather and Teflon
5	0123 335	Supporting ring
6	9973 005	Vee-packing (3 pieces Teflon)
7	0123 337	Vee-packing (2 pieces leather)
8	0123 336	Pressure ring
	0115 366	Upper packing complete, Teflon
5	0123 335	Supporting ring
6	9973 005	Vee-packing (5 pieces Teflon)
8	0123 336	Pressure ring
	0115 367	Upper packing complete, leather
5	0123 335	Supporting ring
7	0123 337	Vee-packing (5 pieces leather)
8	0123 336	Pressure ring
10	9923 507	Plate spring (5)
11	0123 325	Flange
13	9923 508	Plate spring (4)
	0115 371	Lower packing combined complete, leather and Teflon
15	0123 334	Pressure ring
16	9973 006	Vee-packing (3 pieces Teflon)
17	0123 338	Vee-packing (2 pieces leather)
18	0123 333	Supporting ring
	0115 369	Lower packing complete, Teflon
15	0123 334	Pressure ring
16	9973 006	Vee-packing (5 pieces Teflon)
18	0123 333	Supporting ring
	0115 370	Lower packing complete, leather
15	0123 334	Pressure ring
17	0123 338	Vee-packing (5 pieces leather)
18	0123 333	Supporting ring
20	9970 103	Sealing washer A 16 x 20 x 1,5 DIN 7603
21	0010 755	Hose outlet fitting M 16 x 1,5
23	0111 394	Spring cotter of a bolt
24	0123 400	Piston
25	0123 331	Outlet ball guide
26	9941 518	Ball 11
27	0123 332	Valve seat ring
28	0123 328	Valve screw
30	9971 188	O-Ring 46 x 2
31	0123 326	Cylinder
33	0123 330	Inlet ball guide
34	9941 512	Ball 15
35	0113 335	Valve seat ring
38	9971 192	O-Ring 32 x 2
39	0123 324	Inlet housing
40	9900 373	Cylindrical screw M 16 x 240 DIN 912 (2)

Spare Parts List Paint Pump 40 cm³ "S"-Series

From unit serial No. 28-40 : 123121.92

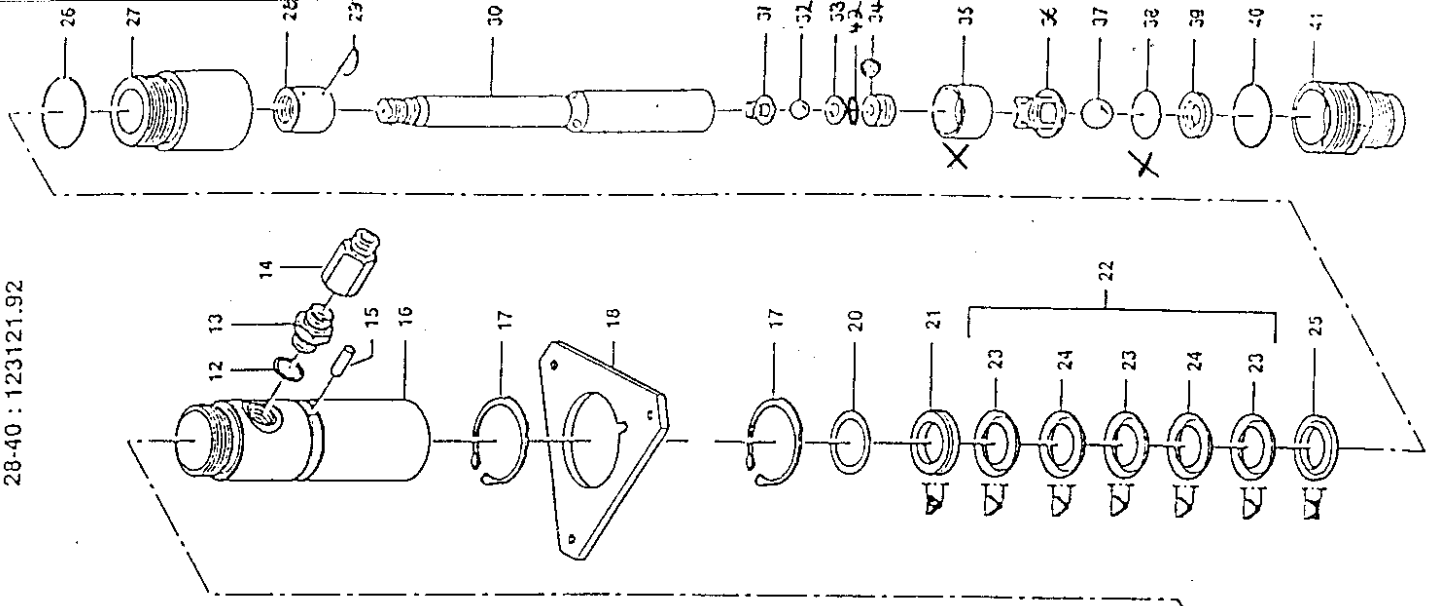
Spare Parts List Paint Pump 40 cm³ "S"-Series

From unit serial No. 28-40 : 123121.92

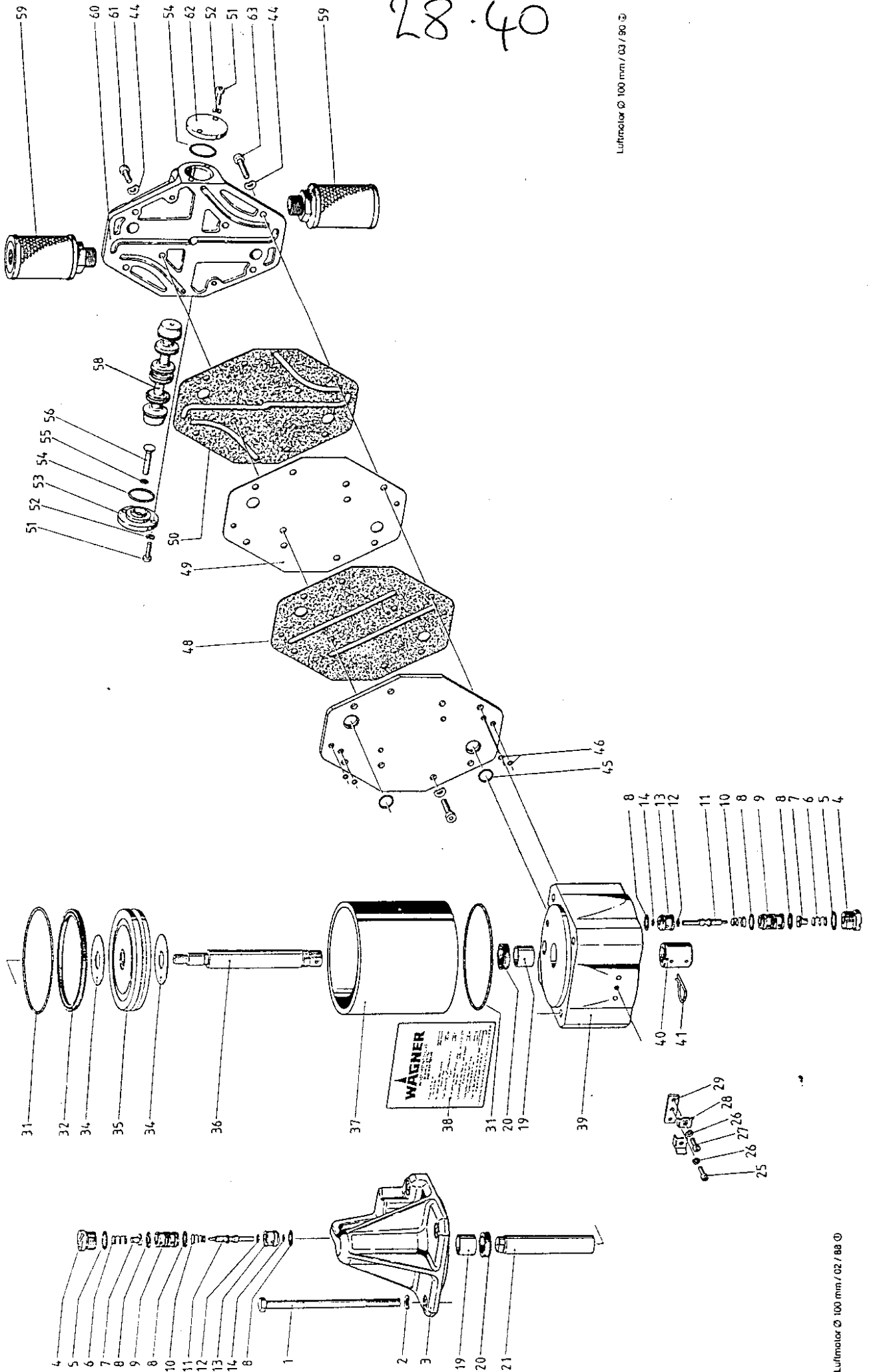
Pos.	Part No.	Description
1	0115 170	Flange cpl.
2	9921 502	Spring lock washer A 6 DIN 127 (6)
3	9900 312	Hexagon screw M 6x20 DIN 912 (6)
4	0123 425	Support ring
5	0115 805*	Upper V-packing (PE/TG) cpl.
6	0123 427	V-ring PE (3)
7	0123 390	V-ring TG (2)
8	0123 424	Pressure ring
9	9971 082*	O-ring 34x2 (2)
10	0123 393*	Spring washer
11	0123 449	Sleeve
12	9971 525	Gasket
13	0123 446	Outlet filling
14	0115 820	Adapter cpl.
15	9930 043	Pin
16	0123 441	Upper cylinder
17	0123 433	Circlip (2)
18	0123 451	Mounting plate
20	0123 394*	Spring washer
21	0123 420	Pressure ring
22	0115 806*	Lower V-packing (PE/TG) completo
23	0123 423	V-ring PE (3)
24	0123 399	V-ring TG (2)
25	0123 421	Support ring
26	9971 403	O-ring 42x2,5
27	0123 442	Lower cylinder
28	0123 310	Connector sleeve
29	0111 304	D-pin
30	0123 440	Piston
31	0123 416	Ball guide
32	9941 510*	Ball D 11 DIN 5401
33	0123 392	Outlet valve seat
34	0123 328	Valve screw
35	0123 450	Sleeve
36	0111 446	Ball guide
37	9941 505*	Ball D 18 DIN 5401
38	9971 429*	O-ring 20x1
39	0123 392	Inlet valve seat
40	9971 040*	O-ring 36x2
41	0123 443	Inlet valve housing
42	9974033	O-ring 15.6 x 1.78
* Included in Service kit		
Service kit		
Service Parts		
	0123 060	Service kit
	9991 691	"C"-spanner (2 pieces required)
	9992 504	Separating oil 250 ml
	9992 590	Loclite 222

Apply Loclite 222 where marked

28-40 STAINLESS STEEL PUMP SECTION



28.40



Luftmotor Ø 100 mm / 03 / 90 ⊕

Luftmotor Ø 100 mm / 02 / 88 ⊕

Spare parts list air motor 28-40

Pos.	Part.-No.	Description	Pos.	Part.-Nr.	Description
1	9900 233	Hexagon bolt M 8 x 140 DIN 931 (4)	36	0123 385	Piston rod
2	9920 906	Curved spring washer A 8 DIN 137 (4)	37	0123 308	Cylinder
3	0123 381	End casing	38	0123 319	Model plate
4	0123 343	Closing screw (2)	39	0123 302	Connector flange
5	9971 098	O-Ring 16 x 1,25 (2)	40	0123 310	Socket
6	0123 357	Pressure spring (2)	41	0111 394	Spring cotter of a bolt
7	0123 356	Spring disc (2)	43	9900 312	Cylindrical screw M 6 x 20 DIN 912 (2)
8	9971 197	O-Ring 13 x 1,5 (6)	44	9920 904	Curved spring washer B 6 DIN 137
9	0123 354	Valve top casing (2)	45	9971 046	O-Ring 13 x 2 (2)
10	0123 358	Spring (2)	46	9971 029	O-Ring 4 x 1 (4)
11	0123 355	Valve stem (2)	47	0123 340	Intermediate plate
12	9971 003	O-Ring 6 x 1 (2)	48	0123 365	Seal plate
13	0123 353	Valve bottom casing (2)	49	0123 364	Plate
14	9971 182	O-Ring 4 x 1 (2)	50	0123 368	Seal plate
19	9960 809	Bushing (2)	51	9900 307	Cylindrical screw M 5 x 16 DIN 912 (4)
20	9972 318	Grooved ring (2)	52	9920 905	Curved spring washer A 5 DIN 137 (4)
21	0123 386	Extension	53	0123 375	Cover
25	9900 353	Cylindrical screw M 4 x 12 DIN 912	54	9971 088	O-Ring 25 x 1,5 (2)
26	9921 504	Spring washer B 4 DIN 127 (3)	55	9871 010	O-Ring 6,07 x 1,78
27	9900 730	Cylindrical screw M 4 x 8 DIN 84 (2)	56	0112 343	Pin
28	9950 513	Binding clip D 8 DIN 46 282 (2)	58	0123 217	Piston
29	9950 103	Contact bridge	59	9991 741	Sound absorber (2)
31	9971 193	O-Ring 100 x 1,5 (2)	60	0123 304	Housing
32	9971 516	Piston seal	61	9900 325	Cylindrical screw M 6 x 16 DIN 912 (2)
34	0123 307	Damper plate (2)	62	0123 339	Cover
35	0123 306	Piston	63	9900 328	Cylindrical screw M 6 x 30 DIN 912 (4)