

12. Accessories and spare parts

12.1 Accessories for ProSpray 24

(accessories illustration, see Page 104)

Item	Order No.	Description
1	0296 388	Spray gun AG 08 (aluminium model)
	0502 166	Spray gun AG 14 (aluminium model)
2	0096 004	Pole gun 30 cm
	0096 019	Pole gun 100 cm
	0096 005	Pole gun 150 cm
	0096 006	Pole gun 270 cm
3	0345 010	In-line roller IR-100
4	9984 573	High-pressure hose DN 4 mm, 7.5 m with stainless steel nipple
	9984 574	High-pressure hose DN 6 mm, 15 m for dispersion
	9984 575	High-pressure hose DN 6 mm, 30 m for dispersion

Item	Order No.	Description
5	0034 038	Double socket for coupling high-pressure hoses
6	0034 950	Metex-Reuse Reuse for pre-filtering of coating material in vessel. Place suction pipe in the reuse.
	0034 952	Sieve package (5 pcs) for paint
	0034 951	Sieve package (5 pcs) for dispersion

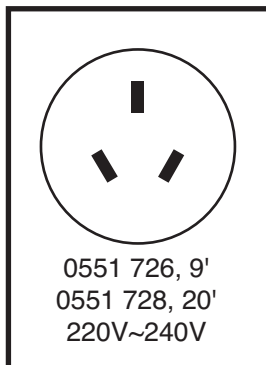
12.2 Spare parts list for main assembly

(spare parts diagram, see Page 105)

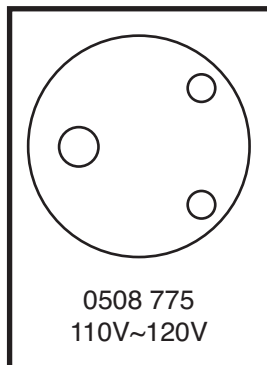
Item	Order No.	Description
1	0551 810	Motor cover
2	0551 440	Screw (4)
3	9800 308	Cylinder head screw (4)
4	-----	Power cord, (see below)
5	9800 340	Ground screw
6	0551 659	Screw (4)
7	0551 720	Pressure control knob
8	0551 721	Digital Electronic Spray Control (ESC) System
9	0551 722	Digital ESC system cover
10	0551 723	Screw (2)
11	0508 585	Hex screw (stand and upright cart) (4)
	0508 590	Hex screw (low boy) (4)
12	0551 645	Control panel
13	0551 826	Fluid section (stand and low boy)
	0551 827	Fluid section (upright cart)
14	0509 636	Plug (2)

Item	Order No.	Description
15	0508 553	Cylinder head screw (2)
16	0551 443	Pail hook (upright cart)
17	0508 549	Washer (upright cart) (2)
18	0508 550	Screw (upright cart) (2)
19	0507 783	Clamp (upright cart)
20	0551 556	Return hose (upright cart)
21	0508 552	Suction tube (upright cart)
22	0508 747	Filter, 10 mesh (upright cart)
	0507 974	Wire assembly
	0551 757	Pressure sensor wire assembly
	0551 758	Surge suppressor, 220~240 V AC
	0551 759	Surge suppressor, 100~120 V AC
	0551 770	Surge protector, 100~120 V
	0551 771	Surge protector, 230 V, EU
	0551 772	Surge protector, 220~240 V, AU and CN

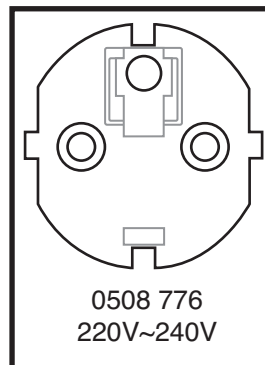
AS-3112



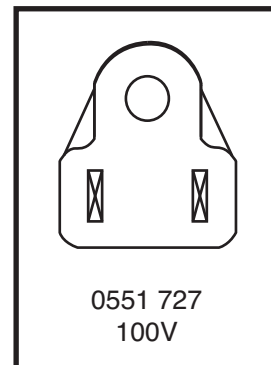
BS-546



CEE 7/7



NEMA 5-15P



12.3 Spare parts list for fluid section

(spare parts diagram, see Page 106)

Item	Order No.	Description
1	0508 664	Retainer nut
2	0508 665*	Piston guide
3	0551 654*	Upper packing
4	0551 657	Pump manifold
5	3505 045	Double socket
6	0508 212	Relief valve
7	0551 655*	Lower packing
8	0551 537	Piston
9	0295 307*	Upper ball guide
10	0508 672*	Outlet valve ball
11	0551 620	Outlet valve seat
12	13481	Outlet valve housing
13	0509 590	Bushing
14	0508 739*	Lower seal
15	0508 677	Lower ball guide
16	0508 678*	Inlet valve ball
17	0508 679	Inlet valve seat
18	3500 203*	O-ring
19	0508 680	Inlet valve housing (stand and low boy cart)
20	0508 690	Inlet valve housing (upright cart unit)
21	0508 604	O-ring
22	0508 749	Bearing spring
23	0508 601	Filter housing
24	0508 602	Conical spring
25	0508 748	Filter cartridge, 60 mesh (standard equipment)
	0508 449	Filter cartridge, 30 mesh
	0508 450	Filter cartridge, 100 mesh
26	0508 603	Bearing ring
27	0551605	Filter assembly (Item 21 – 26)
28	0551 658	Piston assembly (Item 8 – 12)
	0551 642*	Service set packings with machine grease and installation tool
	0551 509	Lower seal insertion tool
	0508 619	118 ml EasyGlide (prevents increased wear and tear to the packings)
	0508 620	118 ml EasyClean (for the fluid section interior)
	9984 507	High-pressure hose DN 6 mm, 15 m

12.4 Spare parts list for drive assembly

(spare parts diagram, see Page 107)

Item	Order No.	Description
1	0551 614	Ventilator shroud
2	0551 616	Ventilator
3	9850 936	ON/OFF switch
4	0508 571	Screw (4)
5	0551 518	Front cover
6	0507 777	Connecting pin
7	0551 649	Pressure sensor
8	0551 650	Pressure sensor o-ring
9	0508 558	Electronic cover
10	0551 647	Electronic control assembly, 230 V AC
	0551 731	Electronic control assembly, 100~120V AC
11	0551 790	Motor complete, 220~240 V AC, 50/60 Hz (includes items 1, 2, 10, and 12)
	0551 791	Motor complete, 100~120 V AC, 50/60 Hz (includes items 1, 2, 10, and 12)

Item	Order No.	Description
12	0551 648	Motor, 220~240 V AC, 50/60 Hz
	0551 729	Motor, 100~120 V AC, 50/60 Hz
13	0508 572	Crankshaft
14	0508 573	Thrust ring
15	0507 938	Gearwheel, stage 2
16	-----	Gear unit housing
17	0551 541	Connecting rod
18	0507 768	Retaining ring

12.5 Spare parts list for upright cart

(spare parts diagram, see Page 108)

Item	Order No.	Description
1	0551 652	Handle assembly (includes items 2–5, 10 and 11)
2	0295 607	Handle sleeve (2)
3	9841 504	Snap button (2)
4	0295 609	Handle washer (2)
5	0295 610	Roll pin (2)
6	9890 104	Cap (2)
7	0294 534	Spacer (4)
8	0508 586	Plug

Item	Order No.	Description
9	0551 550	Plug
10	0551 548	Plug (2)
11	0295 606	Washer (6)
12	0295 608	Screw (4)
13	0507 655	Cord wrap (2)
14	0551 555	Screw (4)
15	0551 653	Cart weldment (includes items 8–10)
16	0278 373	Wheel (2)



12.6 Spare parts list for low boy cart

(spare parts diagram, see Page 109)

Item	Order No.	Description
1	0551 792	Cart weldment (includes items 6 and 15)
2	0507 956	Roll pin (2)
3	0294 534	Wheel spacer (4)
4	0270 394	Wheel (2)
5	9890 104	Cap (2)
6	0551 548	Plug (2)
7	0295 615	Lock nut (2)
8	0507 955	Screw
9	0295 618	Screw (2)
10	0551 133	Mounting bracket, left
11	0551 734	Mounting bracket, right

Item	Order No.	Description
12	0295 608	Screw (4)
13	0295 606	Washer (4)
14	0507 397	Drip cup
15	0551 525	Plug (2)
16	0295 609	Handle washer (2)
17	0295 610	Roll pin (2)
18	9841 504	Snap button (2)
19	0295 607	Sleeve (2)
20	0551 793	Handle assembly (includes items 12, 13, and 16–19)

12.7 Spare parts list of stand

(spare parts diagram, see Page 109)

Item	Order No.	Description
1	0508 377	Cord wrap
2	0508 586	Plug (1)
3	0551 651	Right leg (includes items 1, 2, 4, and 6)
4	0551 525	Plug (3)
5	0551 483	Clip
6	0508 660	Screw (2)

Item	Order No.	Description
7	0509 856	Nut
8	0507 397	Drip cup
9	0551 818	Left leg (includes items 4, 5, 7, 8, 10, and 11)
10	0551 732	Screw
11	0507 955	Screw (2)

12.8 Spare parts list for suction system of stand and low boy

(spare parts diagram, see Page 110)

Item	Order No.	Description
1	0508 608	Suction hose
2	0508 605	Return hose
3	0508 738	Filter
4	9871 105	O-ring (2)
5	0279 459	Clamp
6	9822 526	Retaining clip
	0551 106	Suction hose assembly (includes items 1–6)

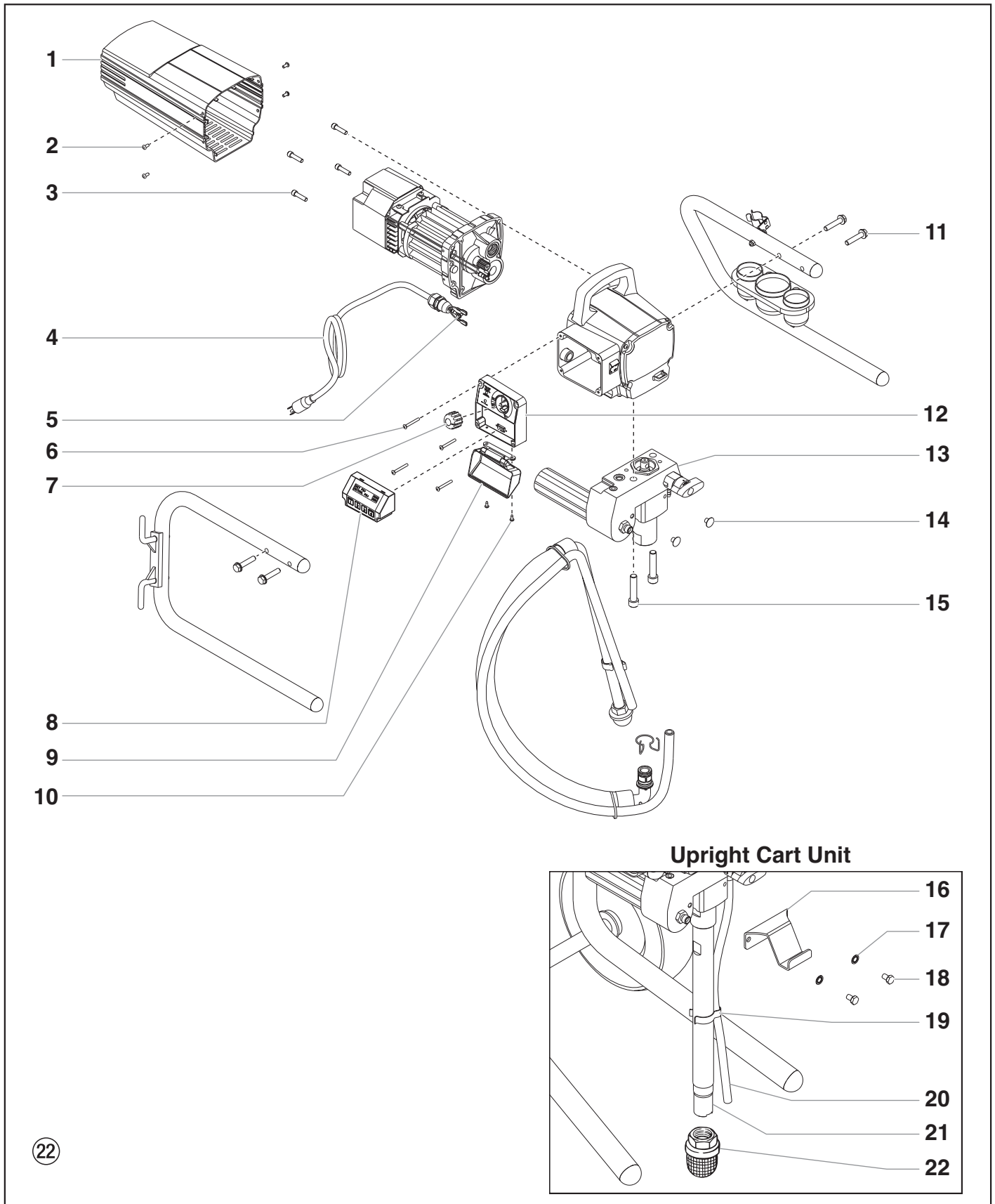
ProSpray 24

Ⓓ Hauptbaugruppe

ⒼⒷ Main Assembly

Ⓕ Ensemble principal

Ⓘ Gruppo principale



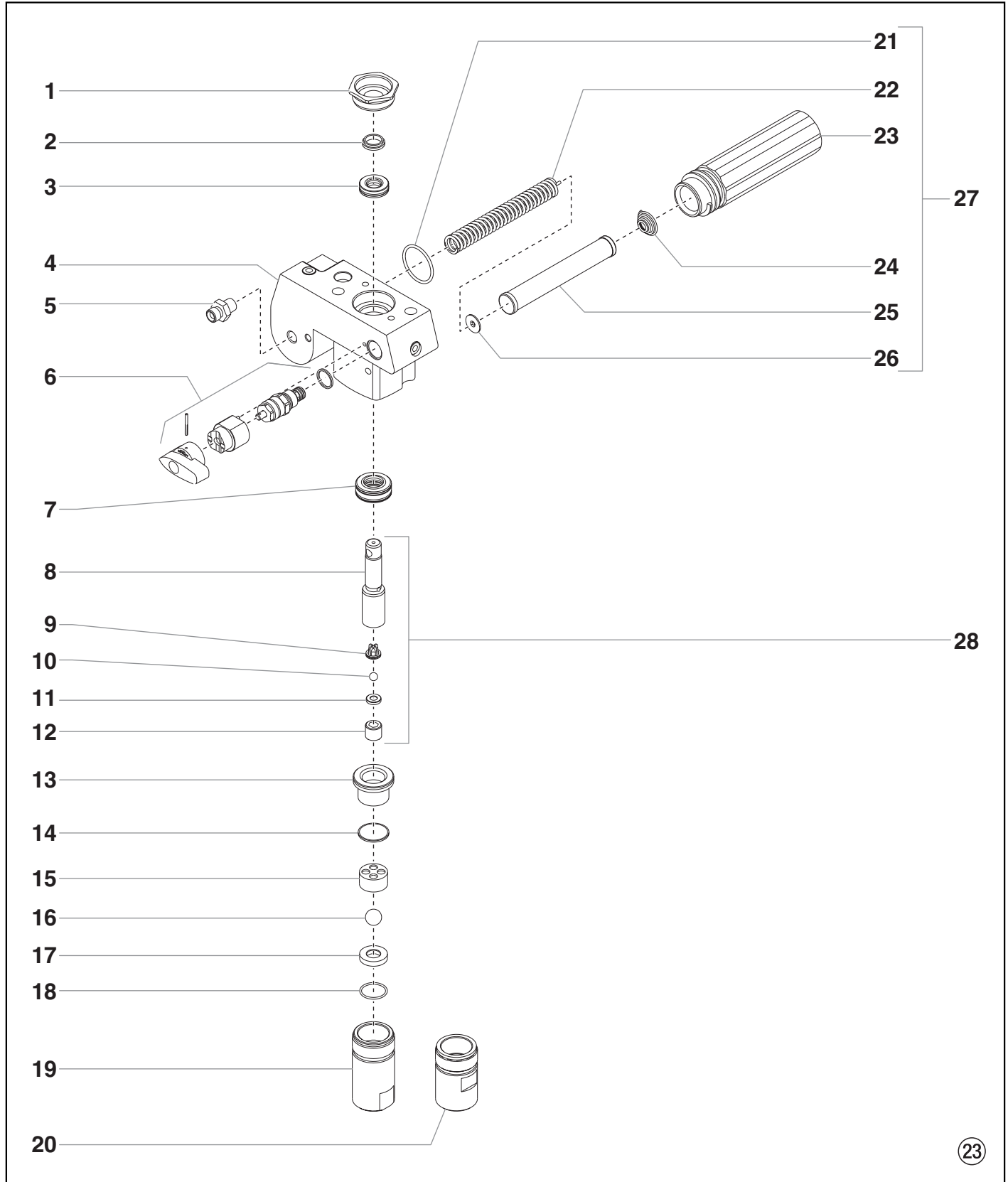
ProSpray 24

Ⓓ Farbstufe

ⒼⒻ Fluid section

Ⓕ Pompe à peinture

Ⓕ Stadio della vernice



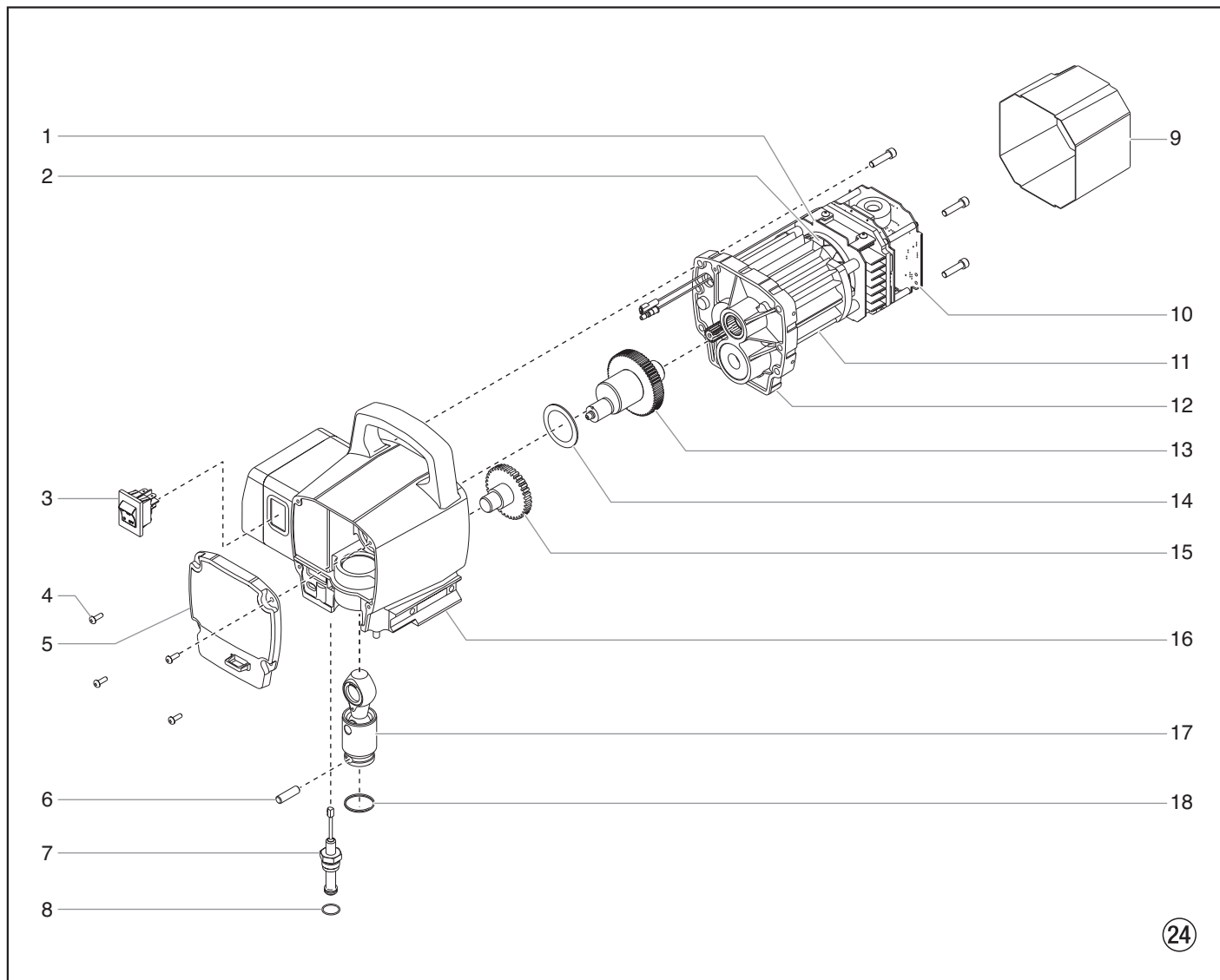
ProSpray 24

Ⓓ Baugruppe Antrieb

ⒼⒷ Drive Assembly

Ⓕ Ensemble moteur

Ⓘ Gruppo azionamento



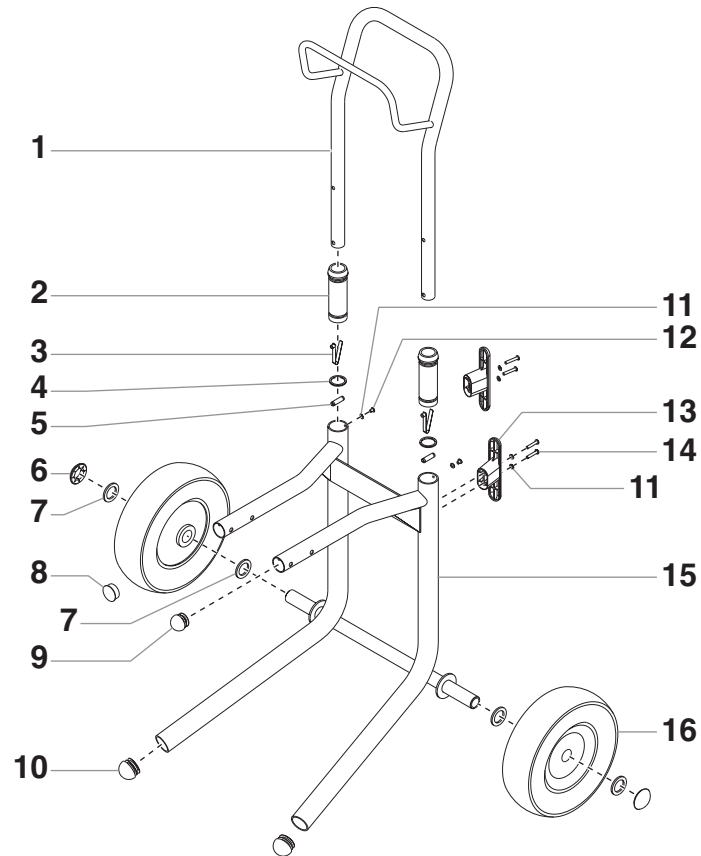
ProSpray 24

Ⓓ Hoher Wagen

ⒼⒸ Upright cart

Ⓕ Chariot haut

Ⓘ Carrello alto



25

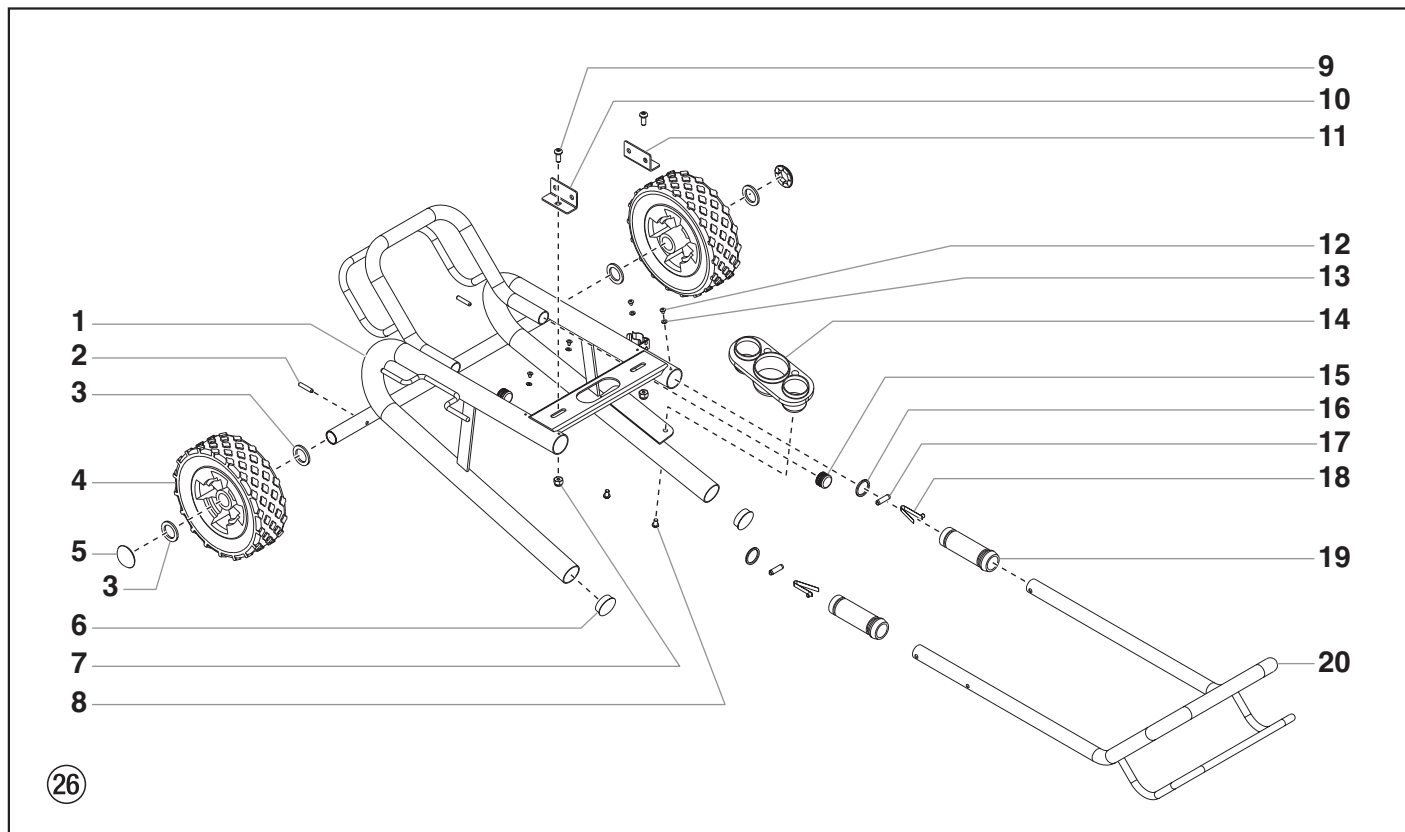
ProSpray 24

Ⓓ Niedriger Wagen

ⒼⒷ Low boy cart

Ⓕ Chariot bas

Ⓘ Carrello basso



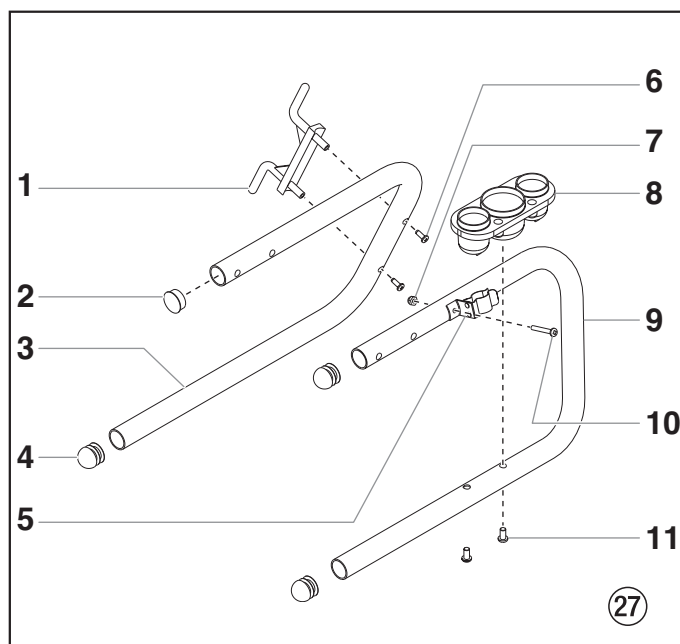
ProSpray 24

Ⓓ Gestell

ⒼⒷ Stand

Ⓕ Support

Ⓘ Telaio



ProSpray 24

- Ⓓ **Ansaugsystem Gestell und niedriger Wagen**
- ⒼⒷ **Suction system for stand and low boy cart**
- Ⓕ **Système d'aspiration support et chariot bas**
- Ⓘ **Sistema di aspirazione telaio e carrello basso**

