

## 9. Accessories and spare parts

### 9.1 Accessories for ProSpray 36

(accessories illustration, see page 98)

Item	Order No.	Description
1	0296 388	Spray gun AG 08, F-thread
	0296 386	Spray gun AG 08, G-thread
	0502 166	Spray gun AG 14, F-thread
2	0502 119	Spray gun AG 14, G-thread
	0096 019	Pole gun 100 cm
	0096 005	Pole gun 150 cm
3	0096 006	Pole gun 270 cm
	0345 010	In-line roller IR-100
4	0524 244	Digital ESC display kit
5	0258 720	Sprinkle texture set: Spray head, texture tip set, tip-cleaning needle and air hose DN 9 mm, 15 m with rapid action coupling
	0508 619	Easy Glide
	9984574	HP hose DN6 ND270, 1/4", 15 m
	9984575	HP hose DN6 ND270, 1/4", 30 m
	0296393	Airless gun, AG08, includes Trade Tip Nozzle 419

### 9.2 Spare parts list for main assembly

(spare parts diagram, see page 99)

Item	Order No.	Description	Item	Order No.	Description
1	0524900	High rider cart	15	0507785	Return hose
2	9805331	Bolt (2)	16	0295281	Filter assembly
3	9910105	Hex nut (2)	17	0088162	Outlet fitting
4	0340508	Tool box	18	0555602	PRIME/SPRAY valve assembly
5	-----	Drive assembly (see separate listing)	19	9885600	Fitting
6	9920121	Washer (2)	20	0555531	Elbow fitting
7	0508555	Screw (4)	21	0507786	Lock washer (2)
8	0508694	Pail hook	22	9805311	Screw (2)
9	9821503	Lock washer (2)	23	0340256	Manometer
10	0295695	Screw (2)		0507387	Hose (not shown)
11	0508695	Knock-off nut		0524734	Logo label, right (not shown)
12	0508343	Fitting		0524739	Logo label, left (not shown)
13	0524901	Fluid section assembly		0551875	Logo label, front (not shown)
14	9850639	Hose clamp			

### 9.3 Spare parts list for drive assembly

(spare parts diagram, see page 100)

Item	Order No.	Description
1	0507959	Electronic cover
2	0507960	Screw (3)
3	0551776	Motor assembly
4	0507776	Housing gasket
5	0508697	Shroud gasket
6	0507221	1st stage gear assembly
7	0507222	2nd stage gear assembly
8	0524919	Front gearbox assembly
9	9850936	ON/OFF switch
10	0507218	Slider assembly
11	0507769	Slider housing
12	0507767	Screw (4)
13	0507990	Front cover
14	0507772	Screw (4)
15	0507768	Retaining ring
16	0507777	Connecting pin
17	9800340	Ground screw
18	0551724	Mounting plate
19	0507757	Grommet
20	0507756	Screw
21	0551645	Control panel
22	0551659	Screw (4)
23	0551720	Pressure control knob
24	0524902	Control panel cover (for sprayers without ESC Digital Control System)

Item	Order No.	Description
25	0524903	Dust cover (for sprayers without ESC Digital Control System)
26	0551723	Screw (2)
27	9850644	Strain relief
28	0508776	Power cord
29	0507770	Screw (3)
30	9821503	Lock washer (3)
31	0551787	Electronic control assembly
32	0507231	Fan shroud
33	0507225	Fan assembly
34	0508705	Baffle assembly
35	0507771	Screw (4)
36	0507986	Motor shroud
37	0551709	ESC Digital Control System assembly (optional)
38	0551722	ESC Digital Control System cover (optional)
39	0551723	Screw (2)
	0551758	Surge suppressor (not shown)
	9852345	Fuse, 10A (not shown)

### 9.4 Spare parts list for fluid section

(spare parts diagram, see page 101)

Item	Order No.	Description
1	0524904	Cylinder
2	0524905	Stopping spacer
3	0524906	Extension bushing
4	0524907	Piston extension
5	0524908	Extension slider
6	0524909	Connecting pin (2)
7	0508707	Upper seal retainer
8	0508708	Spacer
9	0524920	Upper packing assembly
10	0508710	Upper housing
11	3554425	Elbow fitting
12	0524910	Lower packing assembly
13	0508712	Wear ring
14	0507730	O-ring, Viton (2)
15	0507731	Back-up ring, Teflon (2)
16	0508713	Lower housing
17	0507732	Piston rod
18	0507734	Outlet valve seal

Item	Order No.	Description
19	0507452	Outlet valve cage
20	0552234	Outlet valve ball
21	0507454	Washer, nylon
22	0508715	Outlet valve seat
23	0507733	Outlet valve retainer
24	0507729	Foot valve cage
25	0555595	Foot valve ball
26	3500310	Foot valve seat
27	0509582	O-ring
28	0524911	Foot valve housing
29	0555217	Inlet screen
30	0524421	Spring clip
31	0524912	Piston assembly (includes items 17–23)
	0524913	Repacking kit (includes items 8, 9, 12–15, 18, 20–21, 25, and 27)
	0508718	Lower packing insertion tool

### 9.5 Spare parts list for upright cart

(spare parts diagram, see page 102)

Item	Order No.	Description
1	0508228	Handle (includes items 2–5, 10, and 11)
2	0295610	Roll pin (2)
3	9841504	Snap button (2)
4	0295607	Sleeve (2)
5	0295609	Washer (2)
6	0508719	Spacer (2)
7	0294635	Plug (2)

Item	Order No.	Description
8	0524914	Cart (includes items 7 and 9)
9	0295617	Plug (2)
10	0509386	Washer (4)
11	0295608	Screw (4)
12	0508721	Axle
13	0509624	Wheel (2)
14	0295687	Washer (2)
15	0509625	Cap (2)

### 9.6 Spare parts list for filter plug

(spare parts diagram, see page 102)

Item	Order No.	Description
1	0524915	Filter plug
2	0551951	O-ring, Teflon
3	0507739	Plug, 3/8"
4	0524916	Filter housing



The filter plug assembly comes installed on the sprayer and is used when spraying textured products from a ready-mixed or powdered formulation.

Item	Order No.	Description
5	0555602	PRIME/SPRAY valve assembly
6	0507738	Plug, 1/4"
7	0524917	Transducer

### 9.7 Spare parts list for PRIME/SPRAY valve

(spare parts diagram, see page 102)

Item	Order No.	Description
1	0555602	PRIME/SPRAY valve assembly
2	0507745	Gasket
3	5000529	O-ring, Teflon
4	0507741	O-ring, Viton



When using "hot" solvents, replace Viton valve stem o-ring (item 5) with optional Teflon valve stem o-ring (P/N 0508743). Install using o-ring replacement tool (P/N 0508746).

Item	Order No.	Description
5	5006547	Valve stem o-ring, Viton
	0508743	Valve stem o-ring, Teflon (optional)
6	0507931	Cam base
7	5006543	Groove pin
8	0508744	Valve handle

### 9.8 Spare parts list for filter parts

(spare parts diagram, see page 102)

Item	Order No.	Description
1	0524918	Filter body
2	3514058	Filter spring
3	0508748	Filter, 60 mesh
4	0508603	Filter spring adapter
5	0508749	Core spring



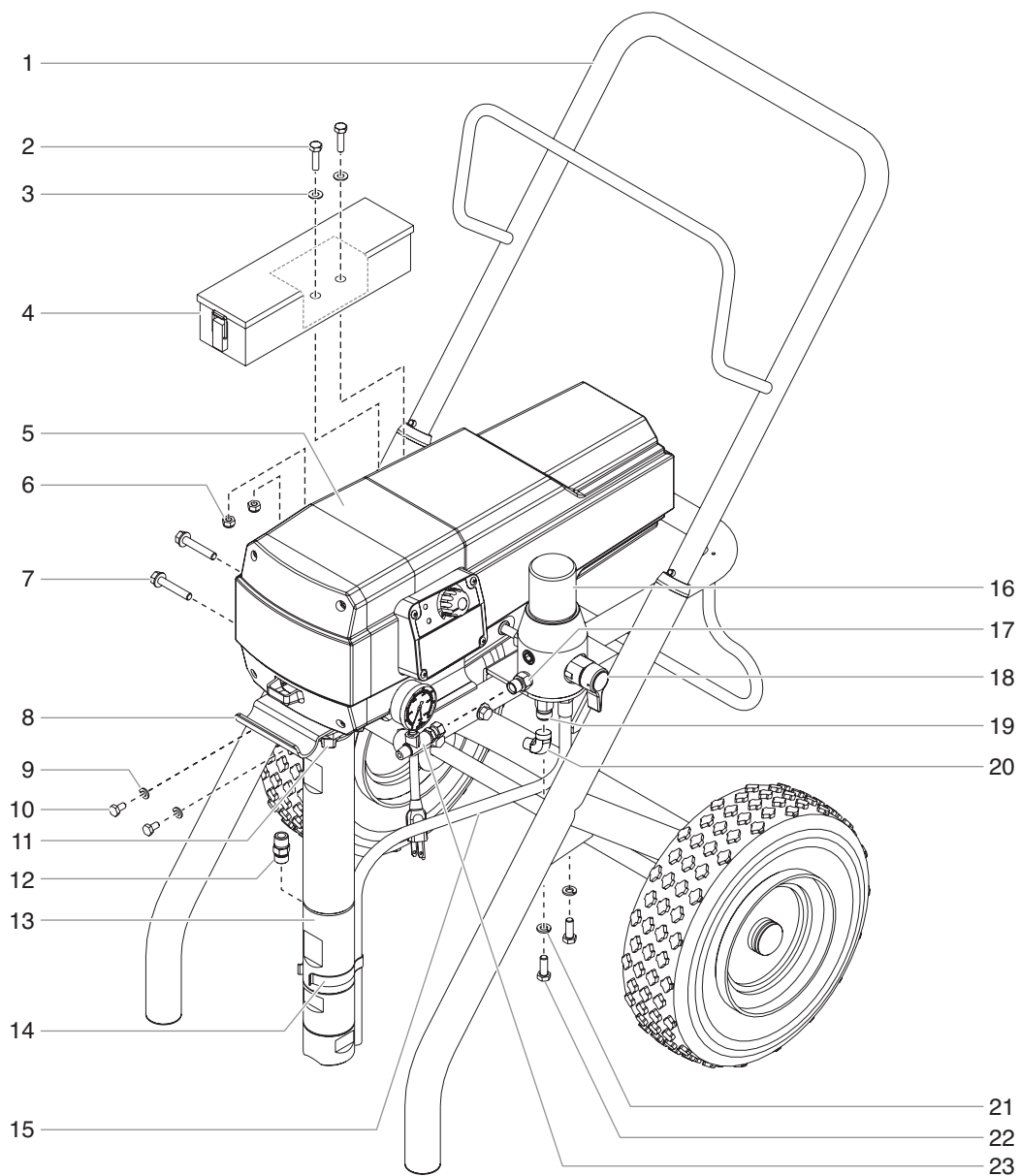
The following parts are included with the unit and can be installed into the filter housing when spraying standard materials.

**D** Ersatzteilbild · Hauptaggregat

**GB** Spare part diagram · Main assembly

**F** Illustration des pièces de rechange · Assemblage Principal

**I** Figura dei ricambi · Gruppo principale

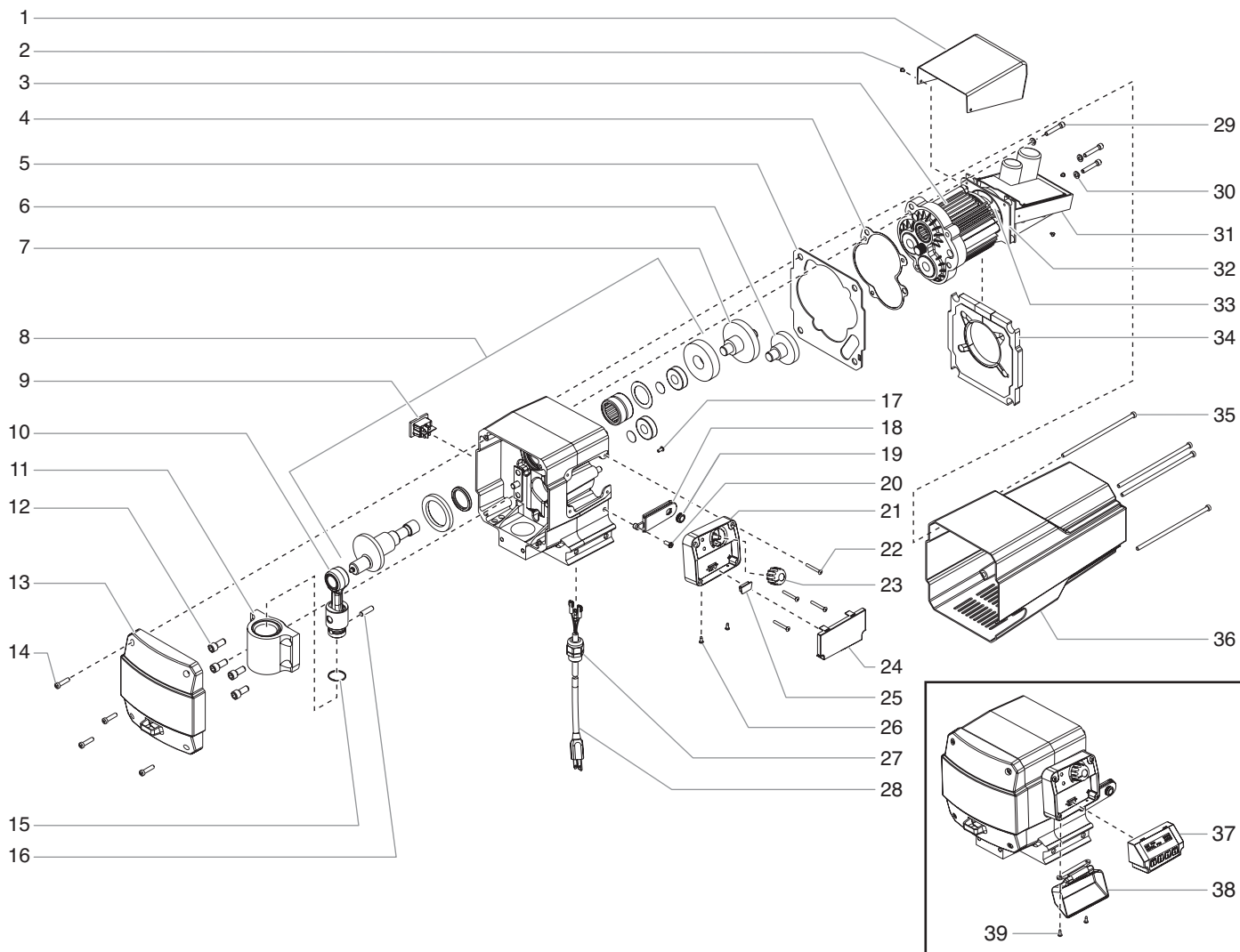


**D** Ersatzteilbild • Baugruppe Antrieb

**GB** Spare part diagram • Drive Assembly

**F** Illustration des pièces de rechange • Ensemble moteur

**I** Figura dei ricambi • Gruppo azionamento

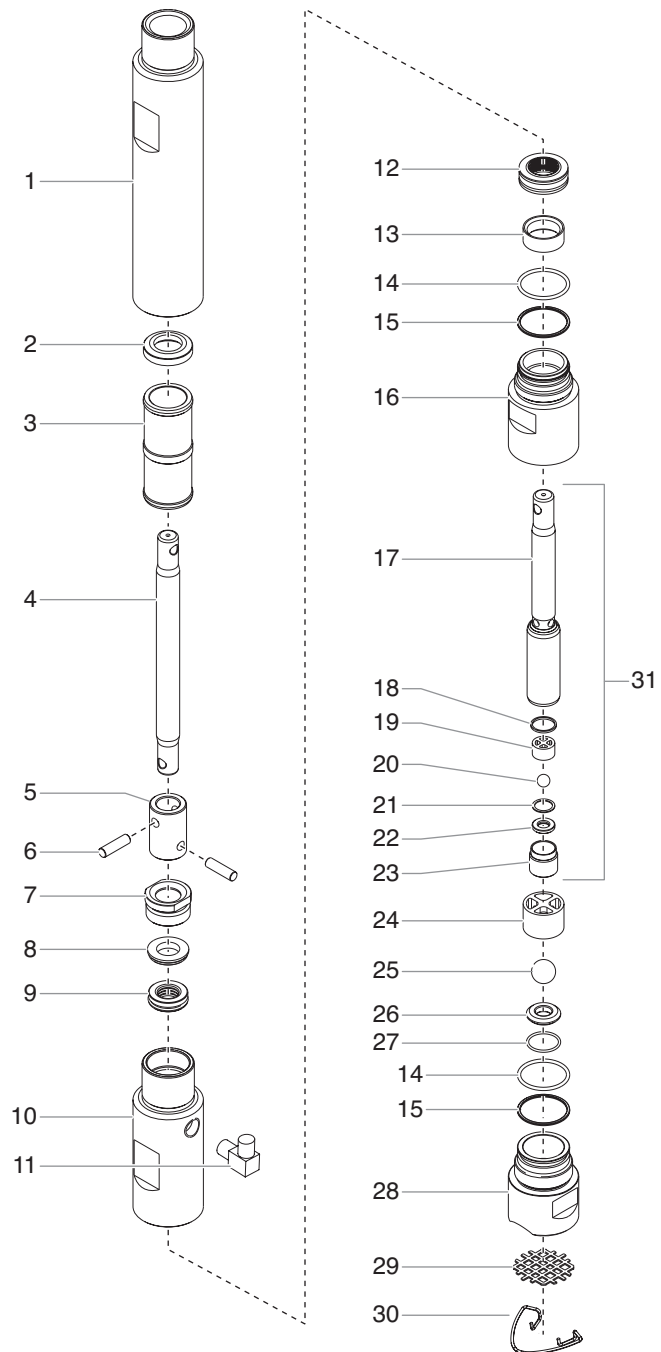


**D** Ersatzteilbild · Farbstufe

**GB** Spare part diagram · Fluid section Assembly

**F** Illustration des pièces de rechange · Pompe à peinture

**I** Figura dei ricambi · Stadio della vernice

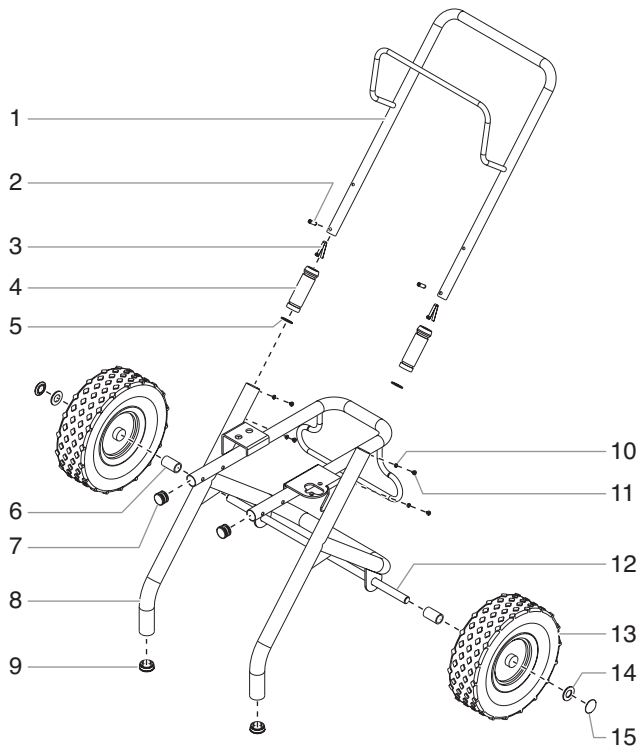


**D** Ersatzteilbild • Fahrgestell

**GB** Spare part diagram • Cart assembly

**F** Illustration des pièces de rechange • Chariot

**I** Figura dei ricambi • Gruppo cart

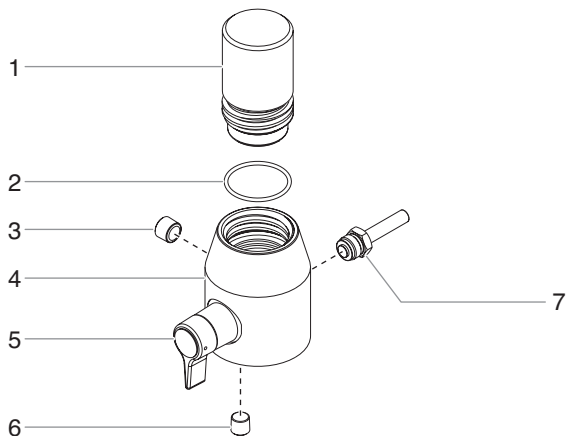


**D** Ersatzteilbild • Filterkapsel

**GB** Spare part diagram • Filter plug assembly

**F** Illustration des pièces de rechange • bouchon-filtre

**I** Figura dei ricambi • Tappo del filtro

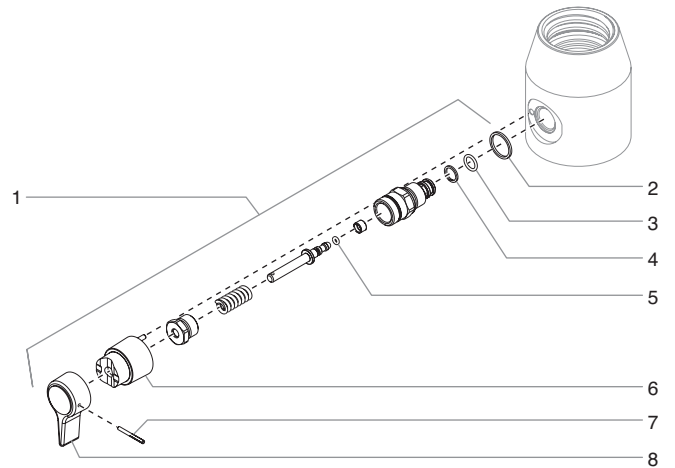


**D** Ersatzteilbild • PRIME/SPRAY-Ventil

**GB** Spare part diagram • PRIME/SPRAY valve assembly

**F** Illustration des pièces de rechange • robinet PRIME / SPRAY

**I** Figura dei ricambi • Valvola INNESCO/SPRUZZO



**D** Ersatzteilbild • Hochdruckfilter

**GB** Spare part diagram • Filter parts

**F** Illustration des pièces de rechange • Filtre haute pression

**I** Figura dei ricambi • Filtro ad alta pressione

